

DESCRIPTION

TruTrack® kit or DIY is a plaster-in recessed 24VDC single circuit track that is only as thick as the 5/8" drywall, which eliminates the concern of hitting studs or joists, and allows more flexibility to make turns along ceilings and walls. For a complete and clean architectural look, a paintable slot cover is supplied with TruTrack®, only the Track Head will be visible once installed. For custom quotes and layout assistance, send your drawings and ideas to our design team: design@PureEdgeLighting.com.

FEATURES

- Designed for use with a 24VDC Remote Power Supply up to 40' away
- Track Heads come in two options, Warm Dim - 3000K dims to 1900K, 95 CRI or 3000K Standard Dim
- Track Head Lumen Output up to 1256 Lumens with multiple fixed and adjustable beam spread options
- Soft Strip LED strip, in-line power feed, and transparent lens slot cover, create the opportunity to add a line of general lighting, anywhere along the line of the track. Track head and Strip are on the same circuit and will dim and switch as one.
- Track Power Feeds may be ordered in End, Center, L, T and X, up to 96 Watts before re-feeding
- Recessed TruTrack® Channel is available in 2', 4', 6' and 8' lengths, with the ability to be cut at the job site
- White Plastic Cover is included with TruTrack® Channel to hide Recessed Track Slot and may be painted to match the ceiling
- 10 Gauge Busbar to help eliminate voltage drop

FINISH & MATERIAL

- White Powder Coat Paint
- Extruded Aluminum Channel, conductors are a pair of #10 Gauge Copper Busbar

TRACK HEAD FIXTURES AND INTEGRAL LED STRIP

- Track Heads: Static White - 24K, 27K, 30K and 35K. Warm Dim - 30D
- Integral LED Strip: 7 Static White Colors - 22K-57K. Warm Dim - 27D and 30D
- 50,000 Hour Lamp Life

REMOTE POWER SUPPLIES, DIMMERS & CONTROLS (SOLD SEPARATELY)*


- [Pure Smart™ WiZ Pro Power Supplies & Controls](#)
- [UNI Driver: Universal Dimming \(TRIAC, ELV, 0-10V\)](#)

*In-Wall Mounting Kits available for select power supplies

APPLICATIONS

Indoor use only. Ideal applications in residential, commercial, retail and hospitality environments.

WARRANTY / LABELS

5 year pro-rated warranty. Assembled in America  ETL (Conforms to UL 1598 and 2108 and CSA 22.2 #250.0), Class 2

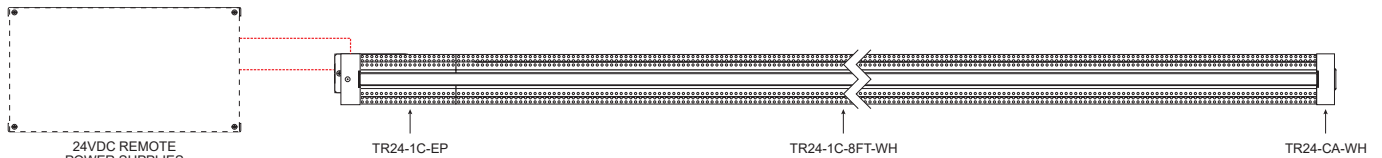
PureEdge is the Original Designer of 5/8" Drywall Products,
Backed by Over 30 Years of Precision Manufacturing and Design.

PROJECT	FIXTURE TYPE	DATE
---------	--------------	------

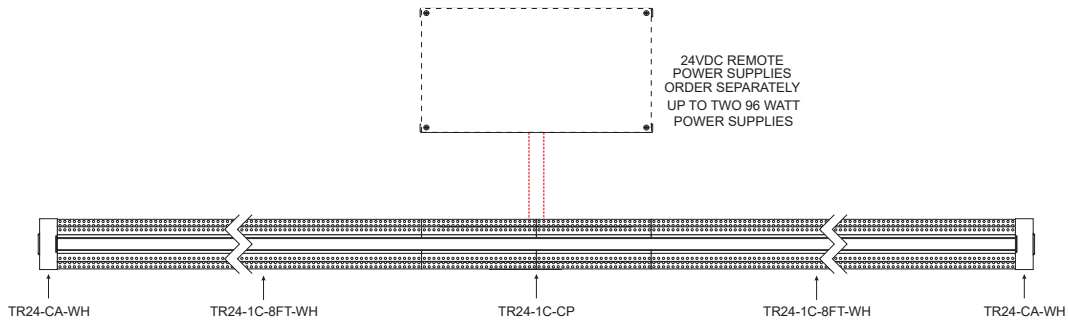


EASY KIT, Straight with power, Order fixture and power supply separately

Kit includes end feed, track, track cover and end cap.



System	Circuit Type	Power Feed	Length in Feet
TR24	1C	EP	30FT
TR24 Track Recessed 24VDC	1C 1 Circuit	EP End Power Feed	2-30FT 2-30' Order by the foot up to 30 feet in two foot increments



System	Circuit Type	Power Feed	Length in Feet
TR24	1C	CP	60FT
TR24 Track Recessed 24VDC	1C 1 Circuit	CP Center Power Feed	2- 60FT 2-60' Order by the foot up to 60 feet in two foot increments

PROJECT	FIXTURE TYPE	DATE
---------	--------------	------

TRU TRACK® DIY (BUILD IT YOURSELF)
24VDC RECESSED, SINGLE CIRCUIT

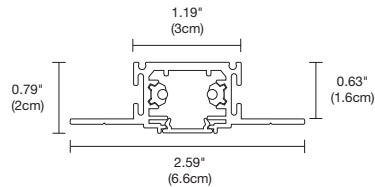
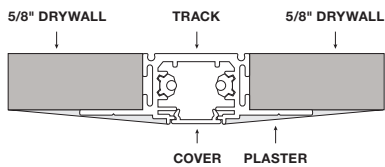
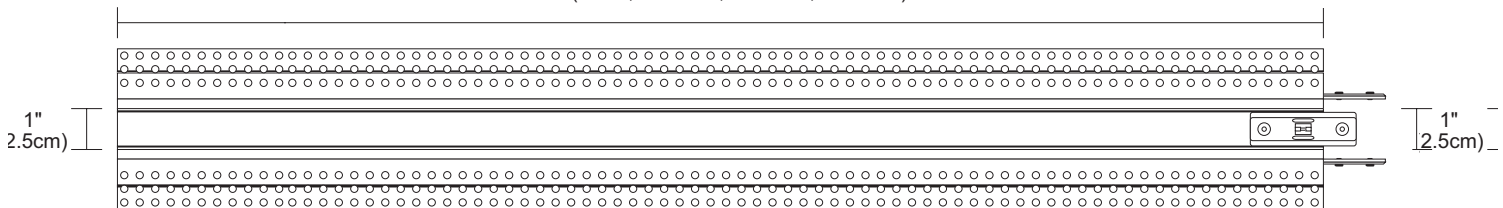


COMPONENTS Track Components



SINGLE CIRCUIT RECESSED 24VDC TRACK

2', 4', 6', 8'
(61cm, 121.9cm, 182.9cm, 243.8cm)



SINGLE CIRCUIT TRACK COMPONENTS

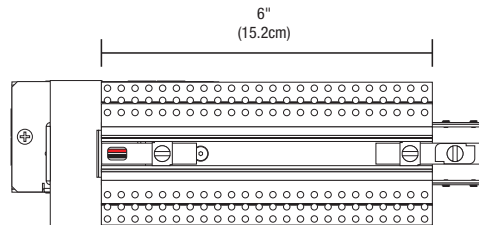
Made of extruded Aluminum Channel with 10 gauge bus bar to help eliminate voltage drop and is designed for use with 24VDC Remote Power Supply, sold separately. Includes two Opaque Covers for Track Slot and Conductive Connector.

System	Circuit	Length in Feet	Color
TR24	1C	8FT	WH
TR24 TruTrack® Recessed	1C Single Circuit	2FT 4FT 6FT 8FT	WH White Cover

PROJECT	FIXTURE TYPE	DATE
---------	--------------	------

COMPONENTS Power Feeds

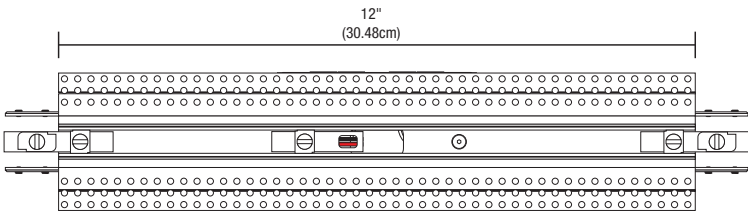
END POWER FEED WITH JUNCTION BOX FOR 5/8"-1.25" DRYWALL
 6" starter section included. Feed 24VDC Track up to 96 watts. May be used on cement ceiling with only 5/8" dry wall (Jbox not used)



System	Circuit Type	Type
TR24	1C	EP
TR24 TruTrack® Recessed	1C Single Circuit	EP End Power Feed up to 96 Watts, 24VDC, 6" Long track

CENTER POWER FEED WITH JUNCTION BOX FOR 5/8"-1.25" DRYWALL

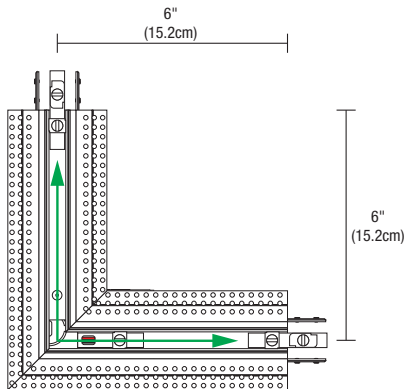
12" starter section included, feed track up to 2x 96 watts 24VDC.



System	Circuit Type	Type
TR24	1C	CP
TR24 TruTrack® Recessed	1C Single Circuit	CP Center Power Feed 2x96 Watts with 12" Long track

L-SHAPED POWER CONNECTOR FOR 5/8" DRYWALL WITH JUNCTION BOX

12" track starter section included, feed track up to 2x 96 watts 24VDC.



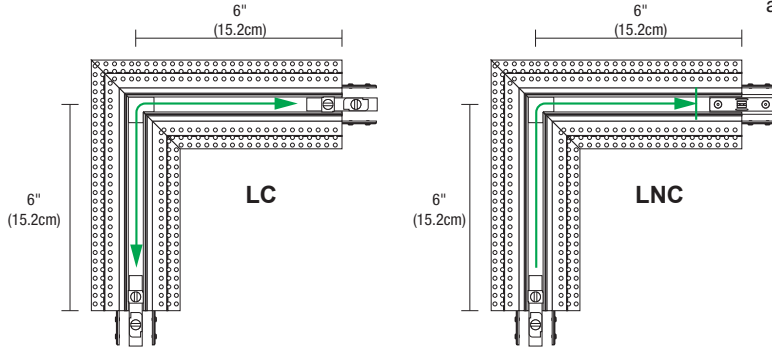
System	Circuit Type	Type
TR24	1C	LP
TR24 TruTrack® Recessed	1C Single Circuit	LP L-Shaped Power Connector 2x96 Watts, with 6" long Track

PROJECT	FIXTURE TYPE	DATE
---------	--------------	------

COMPONENTS Power Feeds (continued)

L-CONNECTOR

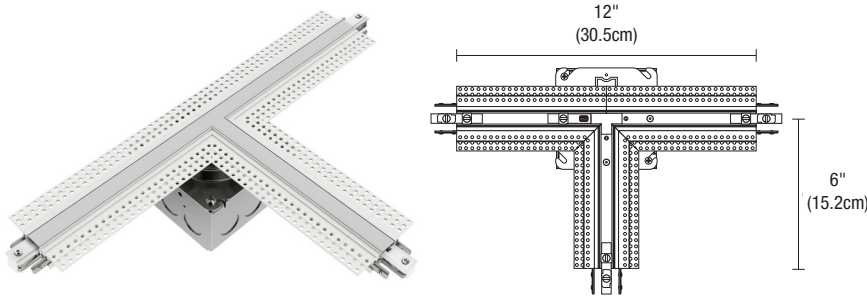
Conductive or Non-Conductive L-Connector joins two straight TruTrack® Channels together to make a 90° angle. Order Non-Conductive when adding two Power Supplies in a square configuration.



System	Type	Color
TR24	LC	WH
TR24 TruTrack® Recessed	LC L-Connector Conductive LNC L-Connector Non-Conductive	WH White Cover

T-SHAPED POWER FEED WITH JUNCTION BOX FOR 5/8"-1.25" DRYWALL

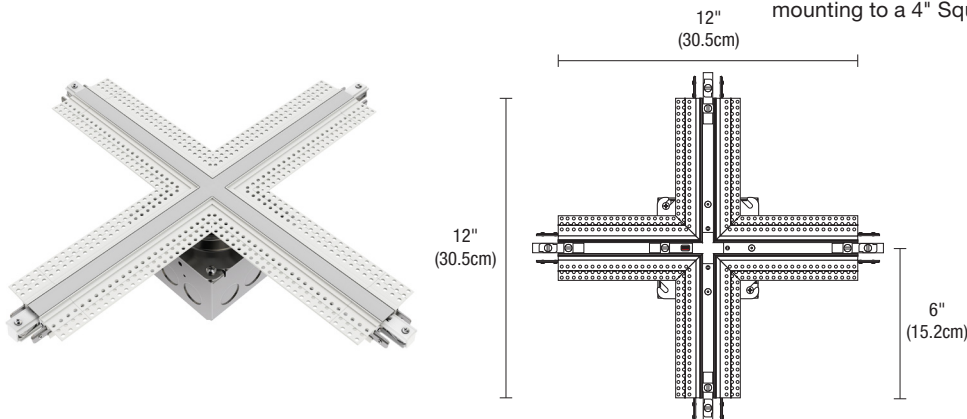
T-Shaped Power feed for TruTrack®, feeds 96 watts 24VDC, 3 directions, mounting to a 4" Square Junction Box.



System	Circuit Type	Type
TR24	1C	TP
TR24 TruTrack® Recessed	1C Single Circuit	TP T-Shaped Power Feed Triple Feed up to 3x96 Watts, 24VDC with 6" Long Track

X-SHAPED POWER FEED WITH JUNCTION BOX FOR 5/8"-1.25" DRYWALL

X-Shaped Power feed for TruTrack®, feeds 96 watts 24VDC, 4 directions, mounting to a 4" Square Junction Box.



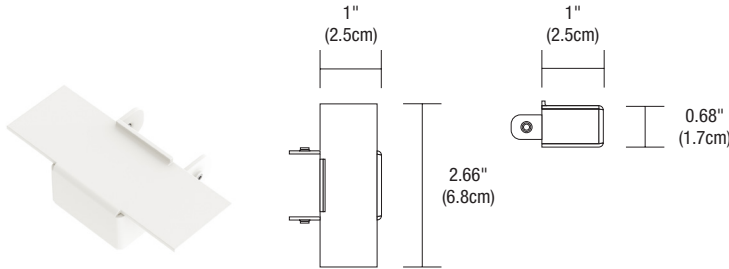
System	Circuit Type	Type
TR24	1C	XP
TR24 TruTrack® Recessed	1C Single Circuit	XP X-Shaped Power Feed Quad Feed up to 4x96 Watts, 24VDC, with 6" Long Track

PROJECT	FIXTURE TYPE	DATE
---------	--------------	------

COMPONENTS End Cap and Connectors

END CAP

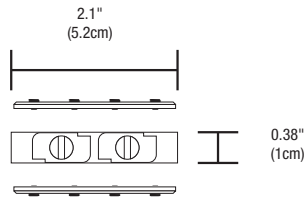
Need to be ordered with each dead end of TR24 Track System.



System	Type	Color
TR24	CA	WH
TR24 TruTrack® Recessed	CA End Cap	WH White Cover

STRAIGHT CONNECTOR

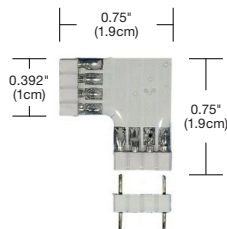
Miniature Straight Connector joins two Track sections end to end and is covered by the Plastic Insert. Included with Track Sections.



System	Type
T24	SC
T24 Track Recessed 24VDC	SC Straight Connector Conductive

L-CONNECTOR (ORDER SEPARATELY)

The Soft Strip L-Connector physically and electrically join two Soft Strip sections and 90° on a horizontal plane (includes one male joiner). Order Separately.



Product	Type
SS	CL10M
SS Soft Strip	CL10M L-Connector 10MM Soft Strip

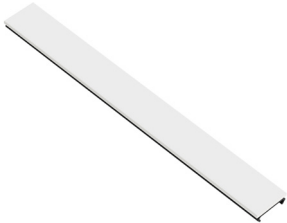
COMPONENTS



TRANSPARENT LENS SLOT COVER FOR LED SOFT STRIP

Use Slot Cover for LED Soft Strip to give you a Line of Light any where along the Track. No LED dots.

System	Type	Length in Feet	Color
T24	SCT	8FT	DW
T24 Track Recessed 24VDC	SCT Slot Cover, Transparent	8FT 8'	DW Diffused Translucent White



OPAQUE SLOT COVER (INCLUDED)

Two paintable Opaque Covers are included with each Recessed Track

System	Type	Length in Feet	Color
T24	SCO	8FT	WH
T24 Track Recessed 24VDC	SCO Opaque Cover for Track Slot	8FT 8'	WH White



MUDDING COVER, OPAQUE SLOT COVER (INCLUDED)

Mud cover used in installation to keep plaster out of track. Included with track.

System	Type	Length in Feet	Color
T24	COV	8FT	WH
T24 Track Recessed 24VDC	COV Mudding Slot Cover	8FT 8'	WH Opaque White

PROJECT	FIXTURE TYPE	DATE
---------	--------------	------


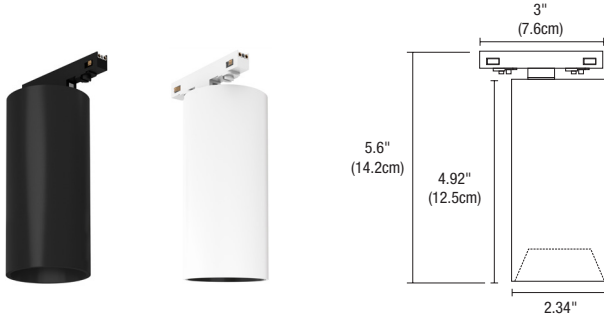
T24 TRACK HEADS

24VDC WITH INTEGRATED LED, STATIC WHITE & WARM DIM TECHNOLOGY

REV 10.23.23


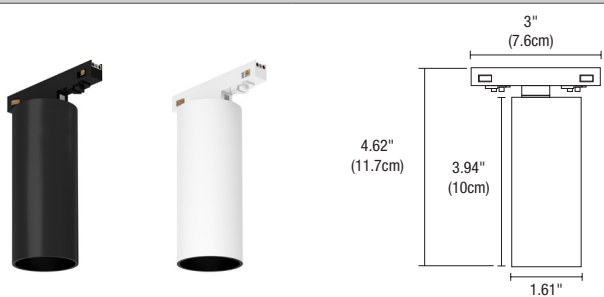
PureEdge T24 Track Heads are Compatible with TruTrack® (TR24) Pipeline Systems including Modular Suspension, Pipeline Track Suspensions and Pipeline Stem Mount Wall/Display (P1SDM, PT, PSTU2CR, PSTU2CR) and Surface Mount track (TS24).

All uniform beam spread options are field changeable. See accessories page for more information.

TUBO LARGE	TUBO LARGE DOWNLIGHT
14 WATTS	
 <p>Dimensions: 7.6" (19.3cm) height, 3" (7.6cm) width, 4.92" (15.5cm) depth, 2.34" (5.9cm) base width.</p>	 <p>Dimensions: 5.6" (14.2cm) height, 3" (7.6cm) width, 4.92" (12.5cm) depth, 2.34" (5.9cm) base width.</p>

T24	TUBL	FL	30K	WH
T24 24V Track System	TUBL Tubo Large TUBLD Tubo Large Downlight	NS Narrow Spot 10° SP Spot 20° NF Narrow Flood 35° FL Flood 45° VW Very Wide Flood 75° For 7° use STB16 snoot with NS	24K 2400K Very Warm White 27K 2700K Incandescent White 30D 3000D Warm Dim* 30K 3000K Warm White 35K 3500K Neutral White *Not available in VW 30D NS: 7.5W, 400 lumens	BK Black Powder Coat WH White Powder Coat

	BEAM ANGLE REFERENCE 45°				
COLOR TEMPERATURE	24K	27K	30K	30D	35K
TOTAL LUMENS	1238	1035	1069	683	1268
WATTS	14	14	14	14	14
LUMENS PER WATT (lm/w)	88	74	76	49	91
CRI	97	92	91	97	98
TM-30 DATA	R9: 60 Rf: 93 Rg: 98	R9: 97 Rf: 92 Rg: 100	R9: 64 Rf: 91 Rg: 98	R9: 90 Rf: 95 Rg: 102	R9: 92 Rf: 94 Rg: 101

TUBO SMALL	TUBO SMALL DOWNLIGHT
9 WATTS (WARM DIM: 8 WATTS)	
 <p>Dimensions: 6.28" (16cm) height, 3" (7.6cm) width, 3.94" (10cm) depth, 1.61" (4.1cm) base width.</p>	 <p>Dimensions: 4.62" (11.7cm) height, 3" (7.6cm) width, 3.94" (10cm) depth, 1.61" (4.1cm) base width.</p>

T24	TUBS	FL	30K	WH
T24 24V Track System	TUBS Tubo Small TUBSD Tubo Small Downlight	NS Narrow Spot 15° SP Spot 25° NF Narrow Flood 35° FL Flood 45° VW Very Wide Flood 75° For 7° use TUBS-ST snoot with NS	24K 2400K Very Warm White 27K 2700K Incandescent White 30D 3000D Warm Dim 30K 3000K Warm White 35K 3500K Neutral White	BK Black Powder Coat WH White Powder Coat

	BEAM ANGLE REFERENCE 45°				
COLOR TEMPERATURE	24K	27K	30K	30D	35K
TOTAL LUMENS	503	420	434	287	515
WATTS	9	9	9	8	9
LUMENS PER WATT (lm/w)	59	49	51	39	61
CRI	97	92	93	94	98
TM-30 DATA	R9: 60 Rf: 93 Rg: 98	R9: 97 Rf: 92 Rg: 100	R9: 64 Rf: 91 Rg: 98	R9: 90 Rf: 95 Rg: 102	R9: 92 Rf: 94 Rg: 101

All track heads with the exception of Tubo Wall Wash and Zoom are JAB listed with universal power supplies in 27K> CCT. Click the link to access our full Title 24 compliance listings: pureedgelighting.com/resources

PROJECT	FIXTURE TYPE	DATE
---------	--------------	------

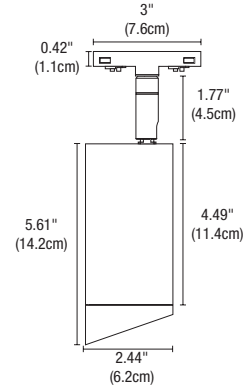
T24 TRACK HEADS

24VDC WITH INTEGRATED LED, STATIC WHITE & WARM DIM TECHNOLOGY

REV 10.23.23

TUBO LARGE WALL WASH

15 WATTS



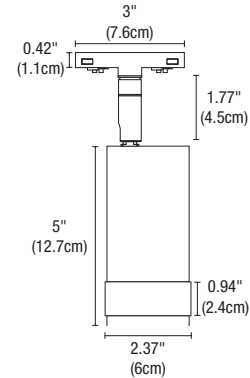
System: **T24** — Fixture: **TUBL** — Beam Spread: **WW** — Color Temperature: **30K** — Finish: **BK**

- T24** Track Head 24V
- TUBL** Tubo Large
- WW** Wall Wash
- 24K** 2400K Very Warm White
- 27K** 2700K Incandescent White
- 30K** 3000K Warm White
- 30D** 3000K Warm Dim to 1800K
- 35K** 3500K Neutral White
- BK** Black Powder Coat
- WH** White Powder Coat

TUBO WALL WASH	
COLOR TEMPERATURE	30K
TOTAL LUMENS	884
WATTS	15
LUMENS PER WATT (lm/w)	59
CRI	92
TM-30 DATA	R9: 61 Rf: 92 Rg: 100

ZOOM

16 WATTS



System: **T24** — Fixture: **ZOOM** — Beam Spread: **Z2** — Color Temperature: **30K** — Finish: **BK**

- T24** Track Head 24V Connector
 - ZOOM** Zoom
 - Z1** Zoom Adjust 15° to 55°
 - Z2** Zoom Adjust 20° to 50°
 - 24K** 2400K Very Warm White
 - 27K** 2700K Incandescent White
 - 30K** 3000K Warm White
 - 30D** 3000K Warm Dim to 1800K*
 - 35K** 3500K Neutral White
 - BK** Black Powder Coat
 - WH** White Powder Coat
- *Only available for Z2

	Z1		Z2		Z2	
BEAM ANGLE	15°	55°	20°	50°	20°	50°
COLOR TEMPERATURE	30K	30K	30K	30K	30D	30D
TOTAL LUMENS	686	873	795	1188	727	879
WATTS	16	16	16	16	15	15
LUMENS PER WATT (lm/w)	46	61	69	89	50	61
CRI	93	93	94	94	97	97
TM-30 DATA	R9: 66 Rf: 92 Rg: 101	R9: 66 Rf: 92 Rg: 101	R9: 74 Rf: 92 Rg: 102	R9: 74 Rf: 92 Rg: 102	R9: 66 Rf: 94 Rg: 101	R9: 66 Rf: 94 Rg: 101

PROJECT	FIXTURE TYPE	DATE
---------	--------------	------

T24 TRACK HEADS

24VDC WITH INTEGRATED LED, STATIC WHITE & WARM DIM TECHNOLOGY

All uniform beam spread options are field changeable, see accessories page.

RADIANT LARGE
14 WATTS

System	Fixture	Beam Spread	Color Temperature	Finish
T24	RADL	FL	30K	WH
T24 24V Track System	RADL Radiant Large	NS Narrow Spot 10° SP Spot 20° NF Narrow Flood 35° FL Flood 45° WF Wide Flood 60° Warm Dim: NS (15°), SP (25°)	24K 2400K Very Warm White 27K 2700K Incandescent White 30K 3000K Warm White 30D 3000D Warm Dim* 35K 3500K Neutral White *Not available in NF	BK Black Powder Coat WH White Powder Coat

BEAM ANGLE REFERENCE 45°					
COLOR TEMPERATURE	24K	27K	30K	30D	35K
TOTAL LUMENS	1389	1161	1199	838	1422
WATTS	14	14	14	14	14
LUMENS PER WATT (lm/w)	99	83	86	58	102
CRI	97	92	93	97	98
TM-30 DATA	R9: 60 Rf: 93 Rg: 98	R9: 97 Rf: 92 Rg: 100	R9: 64 Rf: 91 Rg: 98	R9: 90 Rf: 95 Rg: 102	R9: 92 Rf: 94 Rg: 101

RADIANT MEDIUM
11 WATTS (WARM DIM: 8 WATTS)

System	Fixture	Beam Spread	Color Temperature	Finish
T24	RADM	FL	30K	WH
T24 24V Track System	RADM Radiant Medium	SP Spot 20° NF Narrow Flood 35° FL Flood 45° WF Wide Flood 60°	24K 2400K Very Warm White 27K 2700K Incandescent White 30K 3000K Warm White 30D 3000D Warm Dim 35K 3500K Neutral White	BK Black Powder Coat WH White Powder Coat

BEAM ANGLE REFERENCE 45°					
COLOR TEMPERATURE	24K	27K	30K	30D	35K
TOTAL LUMENS	765	639	660	360	783
WATTS	11	11	11	7.7	11
LUMENS PER WATT (lm/w)	70	58	64	47	76
CRI	97	92	93	93	98
TM-30 DATA	R9: 97 Rf: 92 Rg: 100	R9: 64 Rf: 91 Rg: 98	R9: 90 Rf: 95 Rg: 102	R9: 92 Rf: 94 Rg: 101	R9: 92 Rf: 94 Rg: 101

MATERIAL	Extruded Aluminum	FREQUENCY	50/60HZ	APPLICATION	Suitable for damp or dry locations. Indoor use only.	COMPLIANCE LABEL	ETL to UL 2108 Standard
INPUT VOLTAGE	24VDC	POWER FACTOR	> 0.90	DIMMING & FLICKER	0-10V dimming Flicker less than 2%	LED LAMP LIFE	60,000 Hours

All track heads with the exception of Tubo Wall Wash and Zoom are JAB listed with universal power supplies in 27K CCT. Click the link to access our full Title 24 compliance listings: pureedgelighting.com/resources

PROJECT	FIXTURE TYPE	DATE
---------	--------------	------

Additional Lenses and Accessories

TUBO LARGE LENS		SNOOT		LOUVER	FOCUS LENS	LINEAR SPREAD FILM	
ORDERING CODE	STATIC WHITE LEN-TUBL-NS-SW LEN-TUBL-SP-SW LEN-TUBL-NF-SW LEN-TUBL-FL-SW LEN-TUBL-VW-SW	WARM DIM LEN-TUBL-SP-WD LEN-TUBL-NF-WD LEN-TUBL-FL-WD	STB16-BK STB16-WH (WHITE SHELL)	ST16-BK ST16-WH	L016-H	LF-TUBL-SF (SOFT FOCUS), MF (MEDIUM FOCUS), WF (WIDE FOCUS)	LF-TUBL-LS
LENS SIZE	2" (50mm) Diameter						
BEAM SPREADS	NS (10°), SP (20°), NF (35°) FL (45°), VW (75°)		Conical snoot creates a 7° Beam spread and is designed to reduce spill and control glare. Spun aluminum.	Snoot is designed to reduce spill and control glare. Spun aluminum.	Hexcell louver eliminates glare. 0.125" Thickness.	Soft focus lens is included with every track head. Diffuses the beam, providing uniform illumination.	Linear spread film: directs the light into an elongated beam. Typical applications using 10°, 15°, 25° include illuminating landscape oriented art. 35°, 40°, 60° create an elongated oval typically used for wall washing.

TUBO SMALL LENS		SNOOT		LOUVER	FOCUS LENS	LINEAR SPREAD FILM	
ORDERING CODE	STATIC WHITE LEN-TUBS-NS-SW LEN-TUBS-SP-SW LEN-TUBS-NF-SW LEN-TUBS-FL-SW LEN-TUBS-VW-SW	WARM DIM LEN-TUBS-NS-WD LEN-TUBS-SP-WD LEN-TUBS-NF-WD LEN-TUBS-FL-WD LEN-TUBS-VW-WD	TUBS-ST-BK TUBS-ST-WH (WHITE SHELL)		L011-H	LF-TUBS-SF (SOFT FOCUS), MF (MEDIUM FOCUS), WF (WHITE FOCUS)	LF-TUBS-LS
LENS SIZE	1.37" (35mm) Diameter						
BEAM SPREADS	NS (15°), SP (25°), NF (35°), FL (45°), VW (75°)		Conical snoot creates a 7° Beam spread and is designed to reduce spill and control glare. Spun aluminum.	Hexcell louver eliminates glare. 0.125" Thickness.	Soft focus lens is included with every track head. Diffuses the beam, providing uniform illumination.	Linear spread film: directs the light into an elongated beam. Typical applications using 10°, 15°, 25° include illuminating landscape oriented art. 35°, 40°, 60° create an elongated oval typically used for wall washing.	

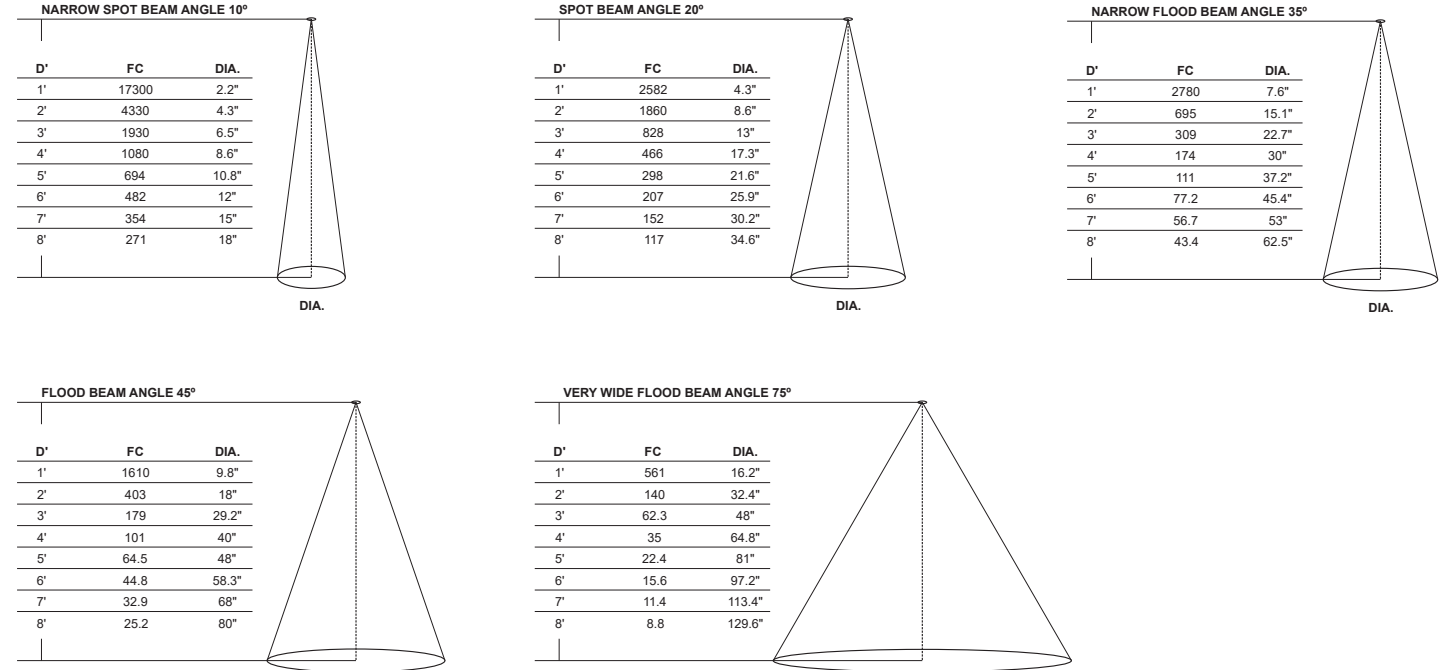
RADIANT LARGE LENS		SNOOT		LOUVER	FOCUS LENS	LINEAR SPREAD FILM	
ORDERING CODE	STATIC WHITE LEN-RADL-NS-SW LEN-RADL-SP-SW LEN-RADL-NF-SW LEN-RADL-FL-SW LEN-RADL-WF-SW	WARM DIM LEN-RADL-NS-WD LEN-RADL-SP-WD LEN-RADL-FL-WD LEN-RADL-WF-WD	STB16-BK STB16-WH (WHITE SHELL)		L016-H	LF-RADL-SF (SOFT FOCUS), MF (MEDIUM FOCUS), WF (WIDE FOCUS)	LF-RADL-LS
LENS SIZE	2" (50mm) Diameter						
BEAM SPREADS	NS (10°), SP (20°), NF (35°), FL (45°), WF (60°)	NS (15°), SP (25°), FL (45°), WF (60°)	Conical snoot creates a 7° Beam spread and is designed to reduce spill and control glare. Spun aluminum.	Hexcell louver eliminates glare. 0.125" Thickness.	Soft focus lens is included with every track head. Diffuses the beam, providing uniform illumination.	Linear spread film: directs the light into an elongated beam. Typical applications using 10°, 15°, 25° include illuminating landscape oriented art. 35°, 40°, 60° create an elongated oval typically used for wall washing.	

RADIANT MEDIUM LENS		LOUVER	FOCUS LENS	LINEAR SPREAD FILM
ORDERING CODE	STATIC WHITE LEN-RADM-SP-SW LEN-RADM-NF-SW LEN-RADM-FL-SW LEN-RADM-WF-SW	L011-H	LF-RADM-SF (SOFT FOCUS) MF (MEDIUM FOCUS), WF (WIDE FOCUS)	LF-RADM-LS
LENS SIZE	1.37" (35mm) Diameter			
BEAM SPREADS	SP (20°), NF (35°), FL (45°), WF (60°)		Hexcell louver eliminates glare. 0.125" Thickness.	Soft focus lens is included with every track head. Diffuses the beam, providing uniform illumination.
				Linear spread film: directs the light into an elongated beam. Typical applications using 10°, 15°, 25° include illuminating landscape oriented art. 35°, 40°, 60° create an elongated oval typically used for wall washing.

PROJECT		FIXTURE TYPE		DATE	
---------	--	--------------	--	------	--

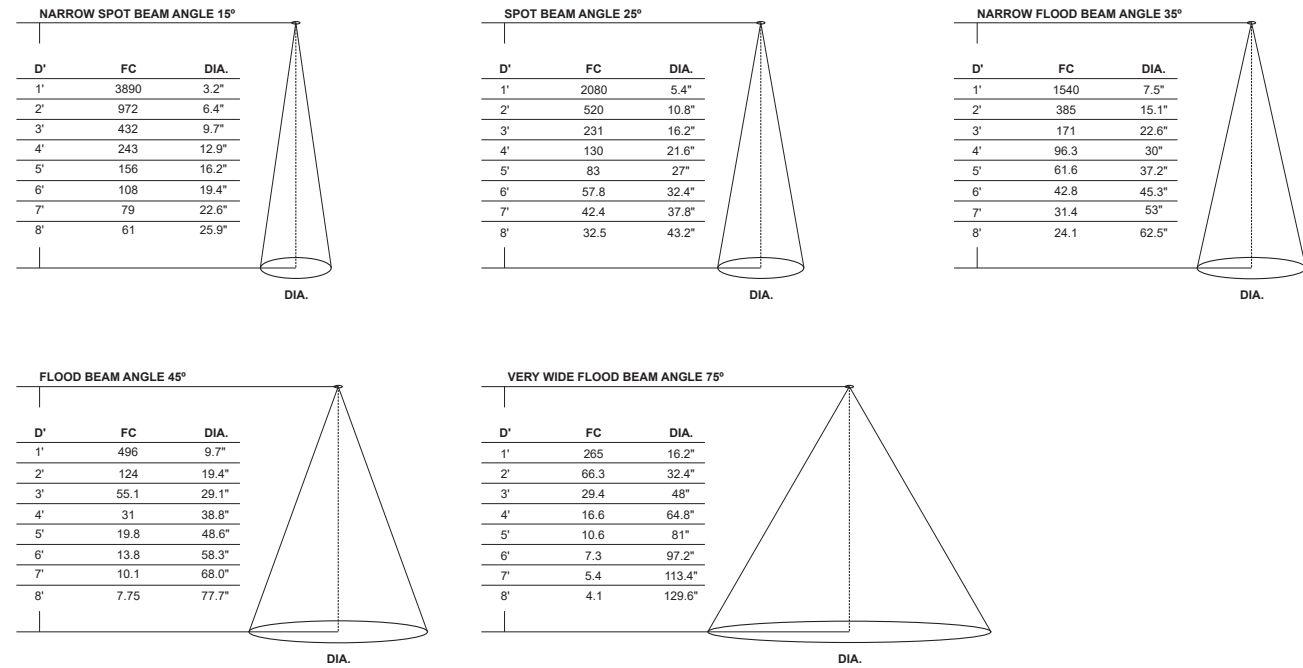
TUBO LARGE Photometric Data at 3000K

D - Distance from fixture
FC - Initial foot candles at the center of beam
DIA - Diameter



TUBO SMALL Photometric Data at 3000K

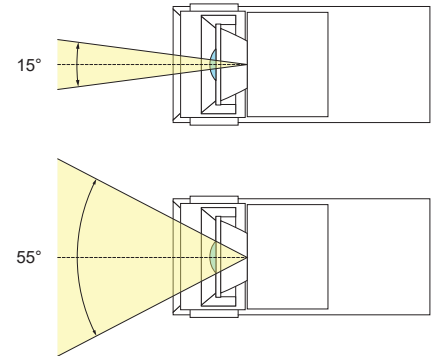
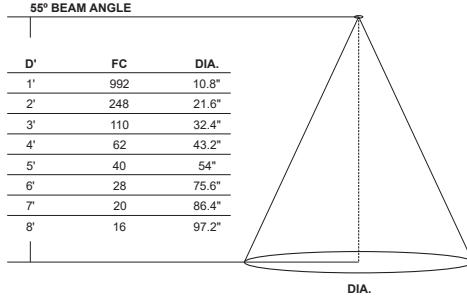
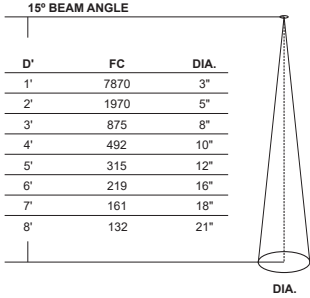
D - Distance from fixture
FC - Initial foot candles at the center of beam
DIA - Diameter



PROJECT	FIXTURE TYPE	DATE
---------	--------------	------

ZOOM Z1 Photometric Data at 3000K

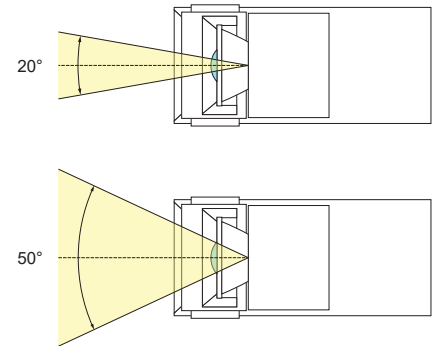
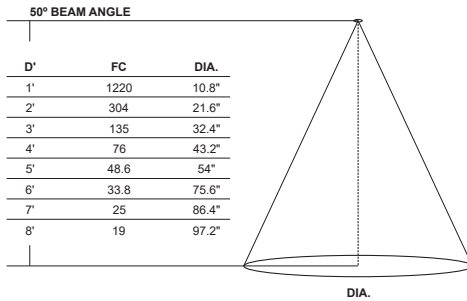
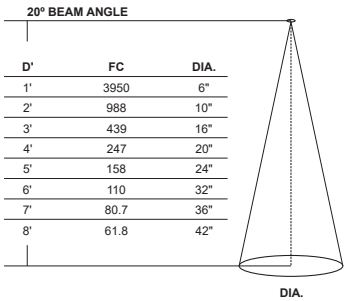
D - Distance from fixture
FC - Initial foot candles at the center of beam
DIA - Diameter



Z1: Adjustable between 15° and 55°

ZOOM Z2 Photometric Data at 3000K

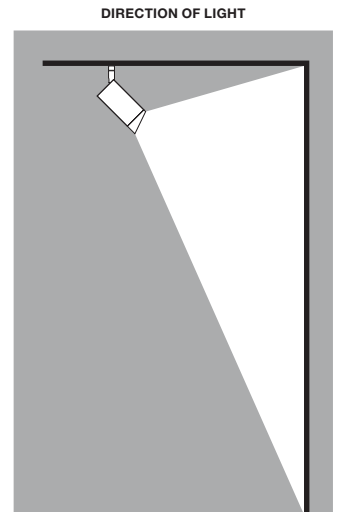
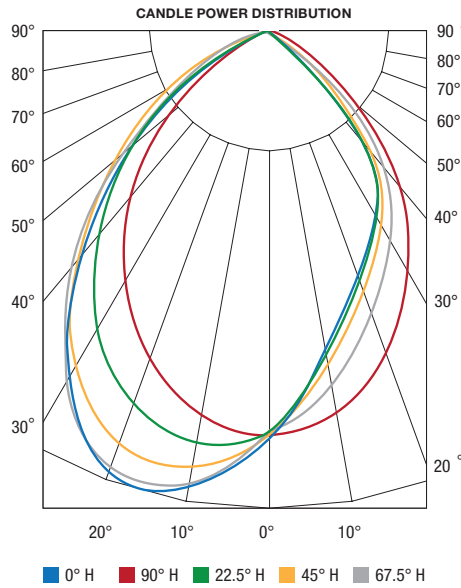
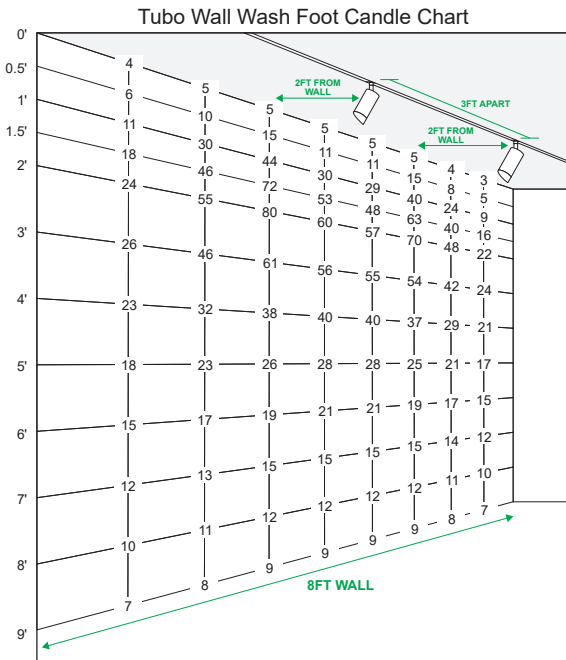
D - Distance from fixture
FC - Initial foot candles at the center of beam
DIA - Diameter



Z2: Adjustable between 20° and 50°

TUBO WALL WASH Photometric Data at 3000K

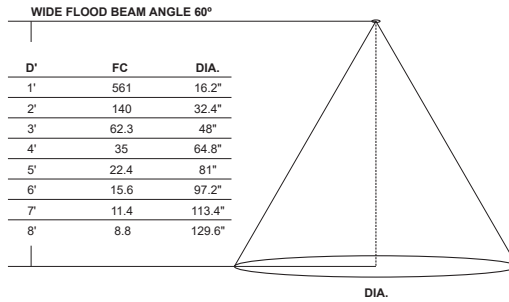
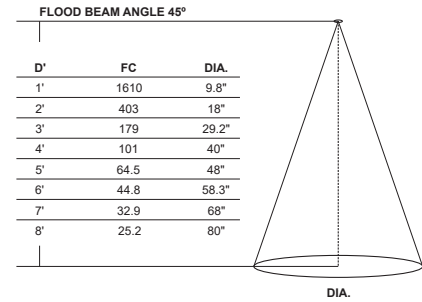
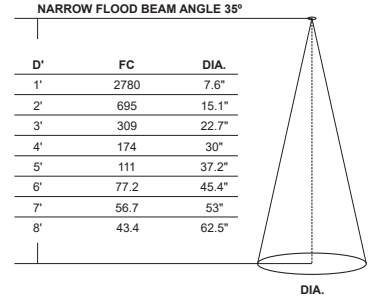
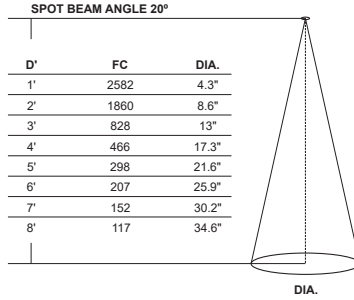
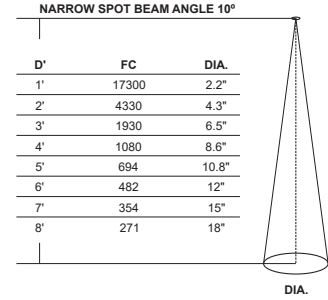
D - Distance from fixture
FC - Initial foot candles at the center of beam
DIA - Diameter



PROJECT	FIXTURE TYPE	DATE
---------	--------------	------

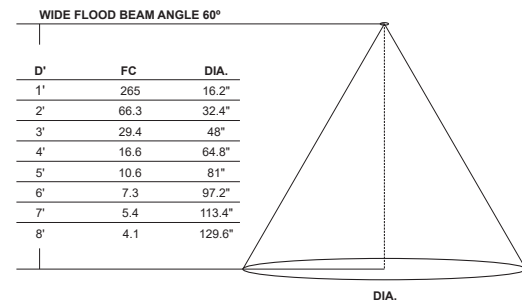
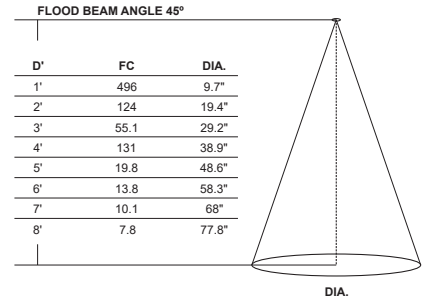
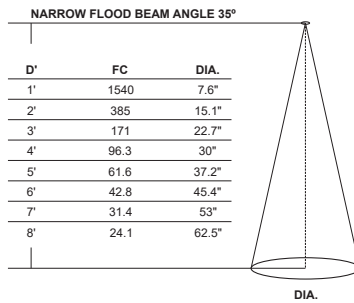
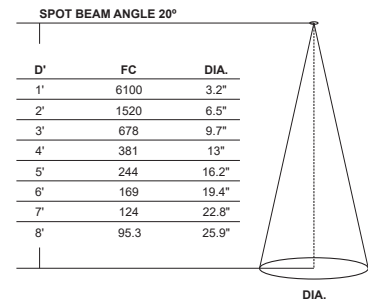
RADIANT LARGE Photometric Data at 3000K

D - Distance from fixture
FC - Initial foot candles at the center of beam
DIA - Diameter



RADIANT MEDIUM Photometric Data at 3000K

D - Distance from fixture
FC - Initial foot candles at the center of beam
DIA - Diameter



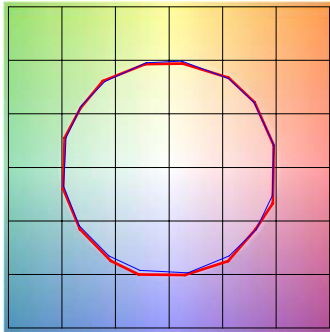
PROJECT	FIXTURE TYPE	DATE
---------	--------------	------

TM30-15 DATA

T24 TRACK HEADS

RADIANT LARGE FLOOD 3000K | Rf: 95 | Rg: 101.6

Color Vector Graphic

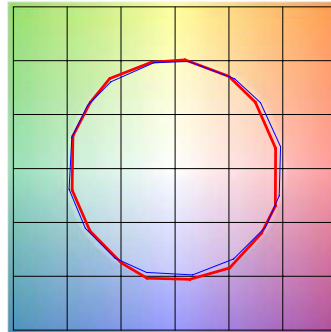


■ Test ■ Reference

		GRAPHIC SHIFTS %	
HUE BIN	Rf	CHROMA	HUE
1	96.8	-0.3%	0.3%
2	97.8	0.3%	-0.3%
3	96.5	0.4%	0.3%
4	95.3	-2.1%	-1.4%
5	95.9	-1.1%	1.1%
6	96.4	1.4%	1.3%
7	93.9	-0.5%	1.9%
8	97.3	1.3%	0.3%
9	95.9	1%	2.1%
10	94.0	1.3%	3.3%
11	92.7	2.9%	4.1%
12	92.4	3.8%	-0.4%
13	94.6	1.5%	-3.2%
14	93.0	3.3%	-3.6%
15	94.6	-0.6%	-0.1%
16	90.1	1.9%	-6.9%

RADIANT MEDIUM FLOOD 3000K | Rf: 89.5 | Rg: 100.8

Color Vector Graphic

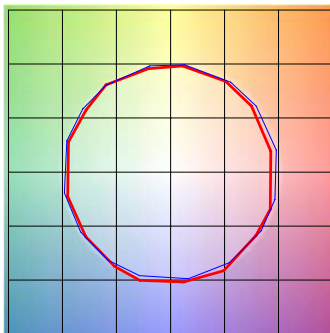


■ Test ■ Reference

		GRAPHIC SHIFTS %	
HUE BIN	Rf	CHROMA	HUE
1	90.0	-4.9%	-0.7%
2	90.7	-3.6%	3.1%
3	87.2	-1.1%	5.9%
4	92.7	1.0%	3.8%
5	93.8	0.9%	2.7%
6	94.2	3.0%	-0.7%
7	92.7	-0.5%	-3.6%
8	96.6	-0.8%	-1.5%
9	94.4	-2.5%	1.4%
10	89.7	-2.3%	4.6%
11	87.3	0.5%	7.6%
12	89.9	5.2%	1.5%
13	92.0	3.6%	-3.4%
14	87.6	4.7%	-7.7%
15	88.2	-0.0%	-6.9%
16	85.8	-1.8%	-10.0%

TUBO LARGE FLOOD 3000K | Rf: 91.0 | Rg: 98.0

Color Vector Graphic

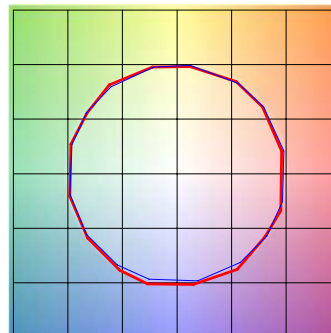


■ Test ■ Reference

		GRAPHIC SHIFTS %	
HUE BIN	Rf	CHROMA	HUE
1	89.2	-5.2%	0.1%
2	91.3	-3.6%	2.4%
3	90.2	-1.8%	4.1%
4	94.7	-1.3%	1.8%
5	93.8	-2.3%	1.8%
6	96.8	0.4%	0.0%
7	93.1	-3.2%	-1.0%
8	96.6	-1.5%	0.7%
9	92.7	-2.4%	3.7%
10	87.4	-1.5%	6.3%
11	87.8	1.5%	8.1%
12	89.9	4.4%	1.0%
13	91.7	2.3%	-4.8%
14	87.4	3.3%	-8.5%
15	88.1	-1.5%	-6.3%
16	85.4	-2.6%	-9.8%

TUBO SMALL FLOOD 3000K | Rf: 95.0 | Rg: 102.2

Color Vector Graphic



■ Test ■ Reference

		GRAPHIC SHIFTS %	
HUE BIN	Rf	CHROMA	HUE
1	96.6	-1.1%	-0.7%
2	97.9	-0.6%	0.4%
3	95.3	0.1%	2.0%
4	96.5	0.3%	1.4%
5	94.8	0.0%	2.0%
6	94.6	3.0%	0.9%
7	96.3	1.1%	-0.9%
8	96.6	1.5%	-1.3%
9	97.3	0.1%	0.4%
10	95.8	-0.5%	1.8%
11	92.5	1.0%	4.4%
12	92.5	4.1%	0.5%
13	94.9	2.5%	-2.0%
14	92.5	4.0%	-3.5%
15	94.0	1.2%	-3.0%
16	90.1	1.7%	-7.1%

PROJECT	FIXTURE TYPE	DATE
---------	--------------	------