

# TS24M MAGNETIC TRACK

24VDC REMOTE POWER, TWO-CIRCUIT, SURFACE OR SUSPENDED TRACK SYSTEM



## DESCRIPTION

TS24M Magnetic Track by PureEdge Lighting is a two-circuit, 24VDC track system allowing for two groups of fixtures to be controlled independently. This system can be surface mounted or suspended from a stem at various drops, with slope ceiling adapter options for ceilings up to 60°. The channels are offered in multiple lengths that can be further cut to size in the field. End and Center power feeds, L, T, and X power connectors provide more flexibility to make turns and create different configurations along the ceiling. Magnetic Track Heads easily click into place, offered in five color temperatures, including Warm Dim (30D), and a variety of different features, including adjustable beam spreads and an asymmetric optic for wall wash applications. 24VDC remote power supplies are required and sold separately. For custom designs, quotes, and layout assistance, email our design team: [design@PureEdgeLighting.com](mailto:design@PureEdgeLighting.com).

## FEATURES

- Two-circuit system allows for independent switching and dimming of the two zones
- Magnetic track heads simply click into the track and allow you to easily adjust the fixture direction, tilt and rotation with one hand for easy installation and flexibility while on a ladder
- Designed for use with 24VDC Universal Remote Power Supplies up to 40' away
- Magnetic Track Heads are available in five color temperatures including Warm Dim (30D)
- Track Head Lumen Output up to 1256 Lumens with multiple fixed and adjustable beam spread and wall wash options
- Designer-grade Color Rendering up to 95 CRI
- Power Feeds offered in End, Center, L, T and X shapes, up to two 200 watts per circuit before re-feeding, and 800 watts total (4 x 200W) with center feed.
- TS24M Track is available in 2', 4', 6' and 8' lengths can be field-cut
- Stem Lengths are offered in various increments from 4" to 48"
- White, paint-able plastic covers are included to conceal track slots for a seamless look

## FINISH & MATERIAL

- White or Black Powder Coat
- Extruded Aluminum Channel with #10 Gauge copper busbar conductors

## TRACK HEADS

- Static White Color Temperatures: 24K, 27K, 30K, 35K
- Warm Dim: 30D (3000K-1800K)
- Rated for 50,000 hours with L70 (70% lumen maintenance)

## POWER SUPPLY AND DIMMING (SOLD SEPARATELY)

24VDC, Class 2 wiring

- [Uni Trim Power Supply](#) Universal Dimming (TRIAC, ELV, 0-10V) ELV & TRIAC [Smart Dimmer & Switch](#)

## APPLICATIONS

Indoor use only. Ideal applications in residential, commercial, retail and hospitality environments.

## WARRANTY / LABELS

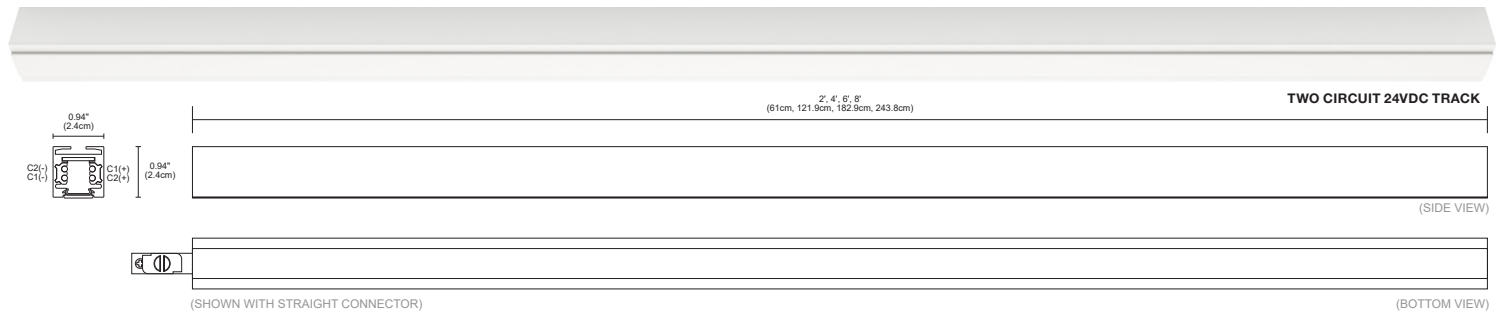
5 year warranty. Assembled in America  
 ETL (Conforms to UL 1598 and CSA 22.2 #250.0), Class 2 Under 100 Watts, 200 Watt UL2108

PROJECT		FIXTURE TYPE		DATE	
---------	--	--------------	--	------	--

# TS24M MAGNETIC TRACK

24VDC REMOTE POWER, TWO-CIRCUIT, SURFACE OR SUSPENDED TRACK SYSTEM

REV 05.08.25



## TWO CIRCUIT MAGNETIC TRACK

Made of extruded aluminum, each channel contains four #10 Gauge round copper busbar eliminating voltage drop. 24VDC Remote power supplies are required and sold separately. Includes opaque slot covers, two end caps, straight connector, anchors, and screws.

System	Circuit	Length in Feet	Finish
<b>TS24M</b>	<b>2C</b>	<b>8FT</b>	<b>WH</b>
TS24M Track Surface Mount 24VDC	2C Two Circuit	2FT 2' 4FT 4' 6FT 6' 8FT 8'	BK Black Powder Paint WH Warm White Powder Coat RAL 9010

## OPAQUE SLOT COVER (INCLUDED)

One Opaque Slot Cover is included with each Track.

System	Type	Length in Feet	Finish
<b>TS24M</b>	<b>SCO</b>	<b>8FT</b>	<b>WH</b>
TS24M Track Surface Mount 24VDC	SCO Opaque Cover for Track Slot	8FT 8'	BK Black WH Warm White Powder Coat RAL 9010

## COMPONENTS Power Feeds

### END POWER FEED

System	Type	Finish
<b>TS24M</b>	<b>2C</b>	<b>EP</b>
TS24M Track Surface Mount 24VDC	2C Two Circuit	EP End Power Feed, up to 2x200 Watts
		<b>WH</b>
		BK Black WH Warm White Powder Coat RAL 9010

### CENTER POWER FEED

Center Power Feed joins two sections of track in both directions, up to four power supplies, 200 watts each. May be wired as a dual or single feed. 4" square canopy.

System	Type	Finish
<b>TS24M</b>	<b>2C</b>	<b>CP</b>
TS24M Track Surface Mount 24VDC	2C Two Circuit	CP Center power feed, up to 4x200 Watt power supplies
		<b>WH</b>
		BK Black WH Warm White Powder Coat RAL 9010

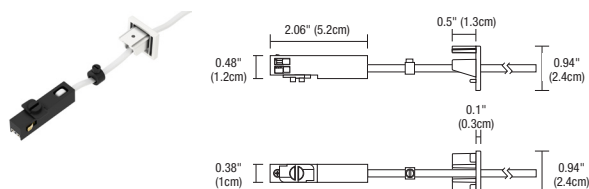
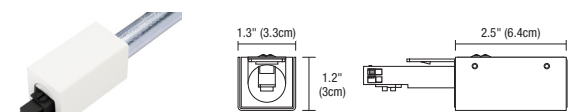
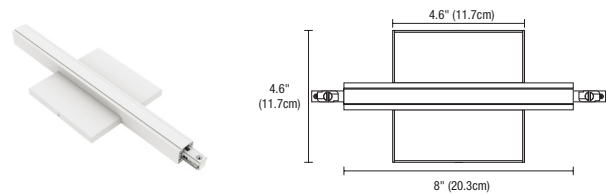
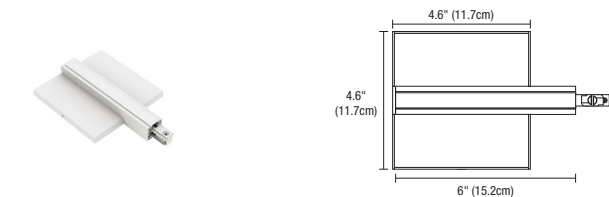
### END POWER CONDUIT FEED

System	Type	Canopy	Finish
<b>TS24M</b>	<b>2C</b>	<b>EP</b>	<b>CON</b>
TS24M Track Surface Mount 24VDC	2C Two Circuit	EP End Power Feed, Two Circuit, up to 2x200 Watts	CON 1/2" Conduit Feed Connector
			<b>WH</b>
			BK Black WH Warm White Powder Coat RAL 9010

### PLENUM RATED END POWER FEED

4' of #14 Gauge Plenum rated cable. T-Bar compatible.

System	Type	Canopy	Finish
<b>TS24M</b>	<b>2C</b>	<b>EP</b>	<b>4FTC</b>
TS24M Track Surface Mount 24VDC	2C Two Circuit	EP End Power Feed, Two Circuit, up to 2x200 Watts	4FTC 4' of Plenum Rated Cable
			<b>WH</b>
			BK Black WH Warm White Powder Coat RAL 9010

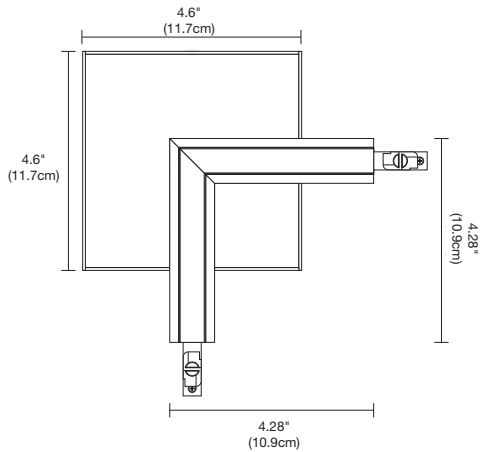


PROJECT	FIXTURE TYPE	DATE
1.3" (3.3cm) 1.3" (3.3cm) 1.3" (3.3cm) 1.3" (3.3cm)		

# TS24M MAGNETIC TRACK

24VDC REMOTE POWER, TWO-CIRCUIT, SURFACE OR SUSPENDED TRACK SYSTEM

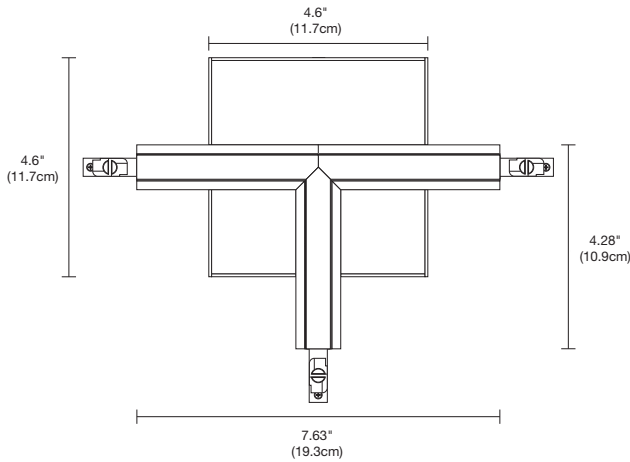
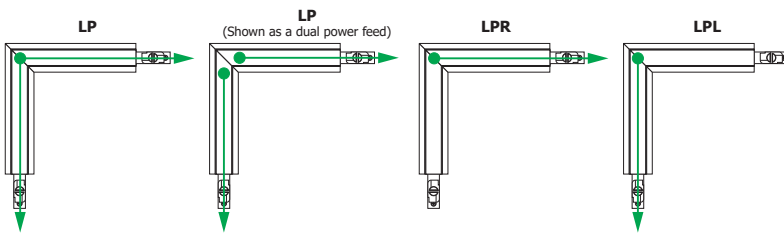
REV 05.08.25



## L-SHAPED POWER FEED

L-Shaped power feed joins two sections of track at 90°. L-Power feeds include channel starters, slot covers, two power feed adapters, canopy with octopus junction box attachment, and two channel connectors (conductive or non-conductive depending on ordering code). The **LPL** and **LPR** will have one conductive and one non conductive channel connector. **LP** May be wired with two power supplies for each zone, or as a dual power feed with four power supplies for two zones in each direction. 4" square canopy.

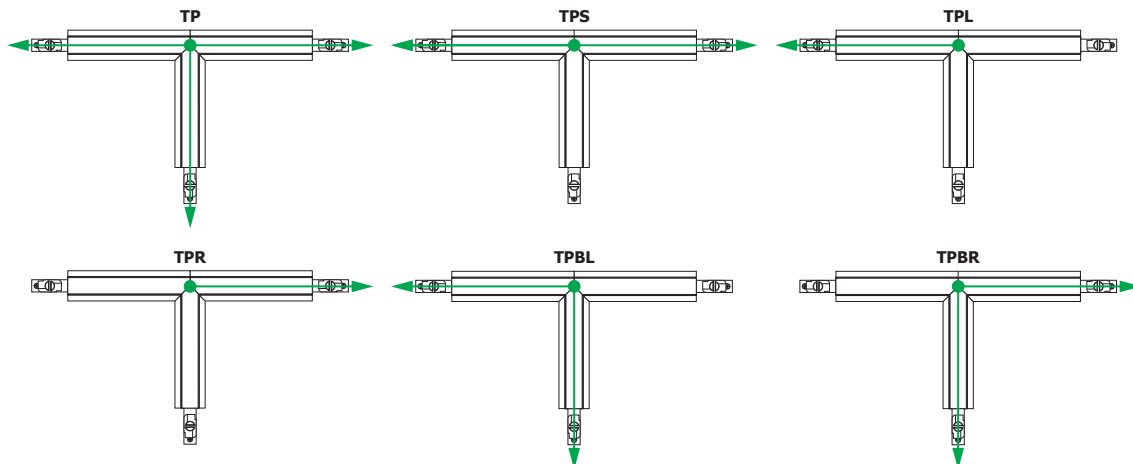
System	Type	Finish
<b>TS24M</b> Track Surface Mount 24VDC	<b>2C</b> Two Circuit	<b>LP</b> L-Shaped Power Feed, both Directions, up to 4 power supplies, 200 watts each <b>LPL</b> L-Shaped Power Feed, Left Power Only, 2x 200 Watts <b>LPR</b> L-Shaped Power Feed, Right Power Only, 2x 200 Watts
		<b>BK</b> Black <b>WH</b> Warm White Powder Coat RAL 9010



## T-SHAPED POWER FEED

T-Shaped power feed joins three sections of track 90° apart. Includes channel starter, three power feed connectors, slot covers, canopy with octopus junction box attachment, three conductive channel connectors, and two non-conductive channel connectors. The T-shaped power feed may be configured several different ways such as; **TPS**, **TPL**, **TPR**, **TPBL**, or **TPBR** see configuration drawings below. 4" square canopy.

System	Type	Finish
<b>TS24M</b> Track Surface Mount 24VDC	<b>2C</b> Two Circuit	<b>TP</b> T-Shaped Power Connector, Conductive on 3 Sections up to 6 x 200 watts power supplies <b>TPS</b> T-Shaped Connector, Conductive through Left & Right Sections <b>TPL</b> T-Shaped Power Connector, Conductive on Left Sections <b>TPR</b> T-Shaped Power Connector, Conductive on Right Sections <b>TPBL</b> T-Shaped Power Connector, Conductive on Base & Left Sections <b>TPBR</b> T-Shaped Power Connector, Conductive on Base & Right Sections
		<b>BK</b> Black <b>WH</b> Warm White Powder Coat RAL 9010

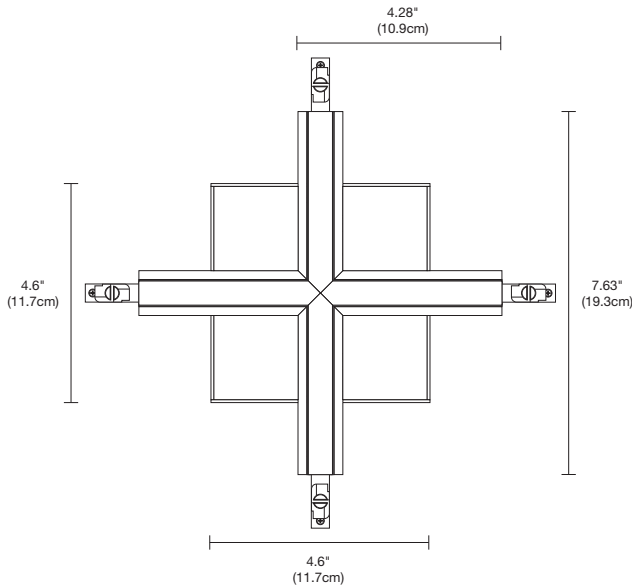


PROJECT	FIXTURE TYPE	DATE
---------	--------------	------

# TS24M MAGNETIC TRACK

24VDC REMOTE POWER, TWO-CIRCUIT, SURFACE OR SUSPENDED TRACK SYSTEM

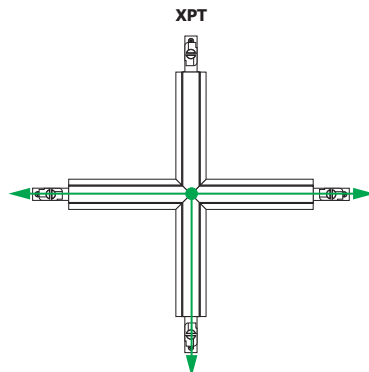
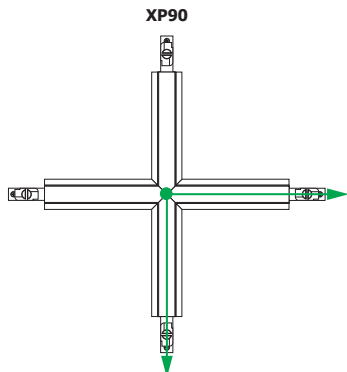
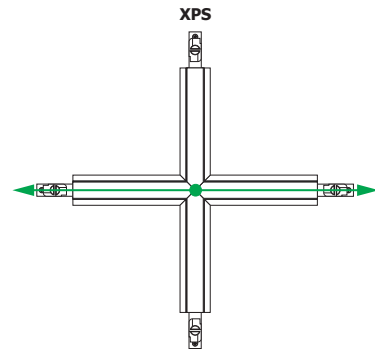
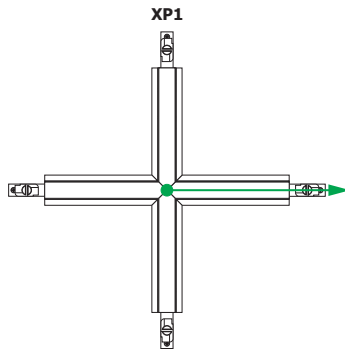
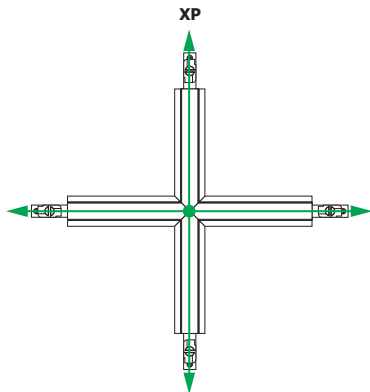
REV 05.08.25



### X-SHAPED POWER FEED

X-Shaped power feed joins four sections of track at 90°. Includes channel starter, four power feed connectors, slot covers, canopy with junction box attachment, four conductive channel connectors, and three non-conductive channel connectors. The X-shaped power feed may be configured several different ways such as; **XP**, **XP1**, **XPS**, **XP90**, and **XPT**.

System	Type	Finish
<b>TS24M</b> Track Surface Mount 24VDC	<b>2C</b> Two Circuit	<b>XP</b>
		<b>WH</b> Warm White Powder Coat RAL 9010
	<b>XP</b>	X-Shaped Power Connector, Conductive on 4 Sections up to 8 x 200 watts power supplies
	<b>XP1</b>	X-Shaped Power Connector, Conductive on 1 Section
	<b>XPS</b>	X-Shaped Power Connector, Conductive Straight through 2 Sections
	<b>XP90</b>	X-Shaped Power Connector, Conductive on 2 Sections, 90° Turn
	<b>XPT</b>	X-Shaped Power Connector, Conductive on 3 Sections



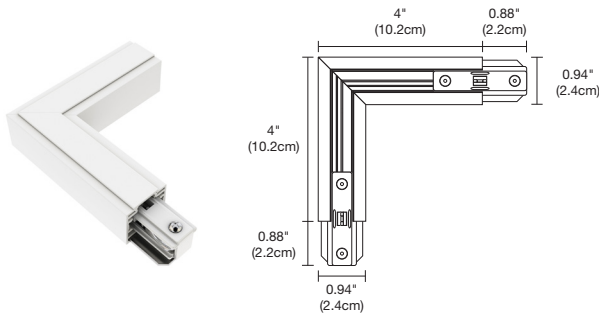
PROJECT	FIXTURE TYPE	DATE
---------	--------------	------

# TS24M MAGNETIC TRACK

24VDC REMOTE POWER, TWO-CIRCUIT, SURFACE OR SUSPENDED TRACK SYSTEM

REV.05.08.25

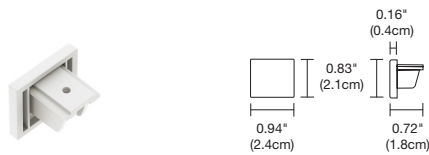
## COMPONENTS Connectors, End Caps, & Mounting Clips



### L-CONNECTOR

L-Shaped Connector joins two sections of track 90° apart, conducting the power "LC" or isolating the power "LNC". Order Non-Conductive when adding two power supplies to form a square configuration.

System	Type	Type	Finish
<b>TS24M</b>	<b>2C</b>	<b>LC</b>	<b>WH</b>
TS24M Track Surface Mount 24VDC	2C Two Circuit	LC L-Connector Conductive LNC L-Connector Non-Conductive	BK Black WH Warm White Powder Coat RAL 9010

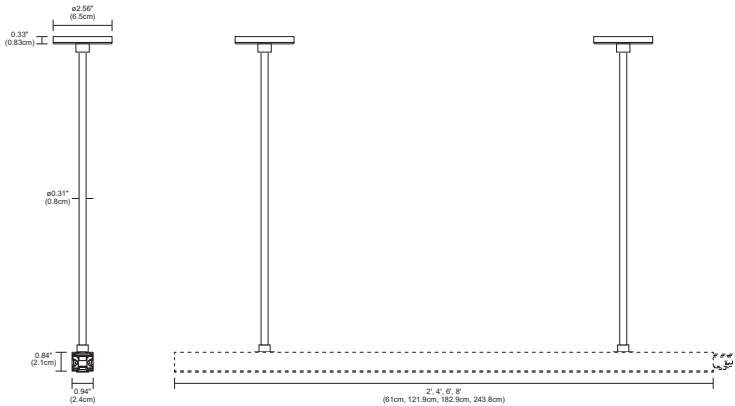


### END CAP

End Caps are included with lengths of track channel (2 End Caps with every piece of track. Additional End Caps are available for replacement if needed).

System	Type	Fixture	Finish
<b>TS24M</b>	<b>2C</b>	<b>CA</b>	<b>WH</b>
TS24M Track Surface Mount 24VDC	2C Two Circuit	CA End Cap	BK Black WH Warm White Powder Coat RAL 9010

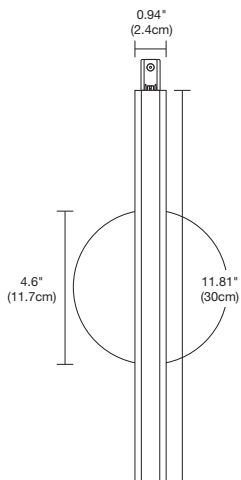
## STEM MOUNT Components



### SUPPORT STEM

The TS24M Stem Mount allows the TS24M track system to be suspended from a ceiling. Available in sizes from 4" to 48". 4" Round Canopy or 2" Round canopy. Custom sizes are available upon request. Stems are recommended to be placed every 4 feet.

System	Suspension Type	Canopy	Stem Length	Finish
<b>TS24</b>	<b>STM</b>	<b>2R</b>	<b>36</b>	<b>WH</b>
TS24 Track Surface Mount 24VDC	STM Stem Mount SLC Slop Ceiling Adapter	2R 2" Round Canopy 4R 4" Round Canopy	4 4" 6 6" 12 12" 14 14" 18 18" 24 24" 30 30" 36 36" 48 48"	BK Black WH Warm White Powder Coat RAL 9010



### STEM CENTER POWER FEED

The TS24M Stem Center Power Feed allows the TS24M track to be suspended and powered from a ceiling up to 40' away, with remote power supply. Stem lengths are available from 4" to 48", offered with a 4.6" round canopy that fits on a standard junction box or a 2.6" round canopy for new construction supplied with a 2" junction box plaster ring. Custom sizes are available upon request. May be wired as a dual or single feed. 2" or 4" round canopy

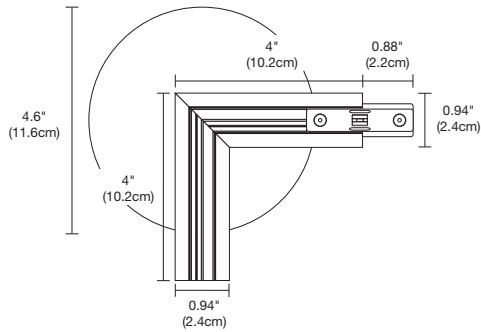
System	Suspension Type	Type	Type	Canopy	Stem Length	Finish
<b>TS24M</b>	<b>STM</b>	<b>2C</b>	<b>CP</b>	<b>2R</b>	<b>36</b>	<b>WH</b>
TS24M Track Surface Mount 24VDC	STM Stem Mount SLC Slop Ceiling Adapter	2C Two Circuit	CP Center Feed Power	2R 2" Round Canopy 4R 4" Round Canopy	4 4" 6 6" 12 12" 14 14" 18 18" 24 24" 30 30" 36 36" 48 48"	BK Black WH Warm White Powder Coat RAL 9010

PROJECT	FIXTURE TYPE	DATE
---------	--------------	------

# TS24M MAGNETIC TRACK

24VDC REMOTE POWER, TWO-CIRCUIT, SURFACE OR SUSPENDED TRACK SYSTEM

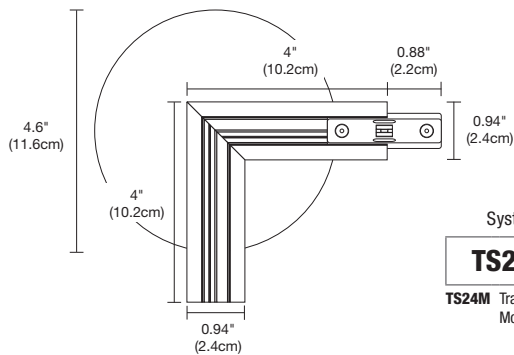
REV 05.08.25



## STEM L-SHAPED POWER FEED

The TS24M L power feed stem mount allows the track to be suspended and powered from a ceiling up to 40' away, with remote power supply. L-Shaped Power Feed joins two sections of track at 90°. L-Power Feeds includes; 4" L shaped channel starters, stem, channel covers, two power feed adapter for two circuit each, canopy with jbox attachment, and two channel connectors (conductive or non-conductive depending on ordering code). May be wired as an L-Power with 2 transformers for each zone or as a dual with four transformers for 2 zones in each direction. The **LPL** and **LPR** will have one conductive and one non conductive channel connector. 2" or 4" round canopy

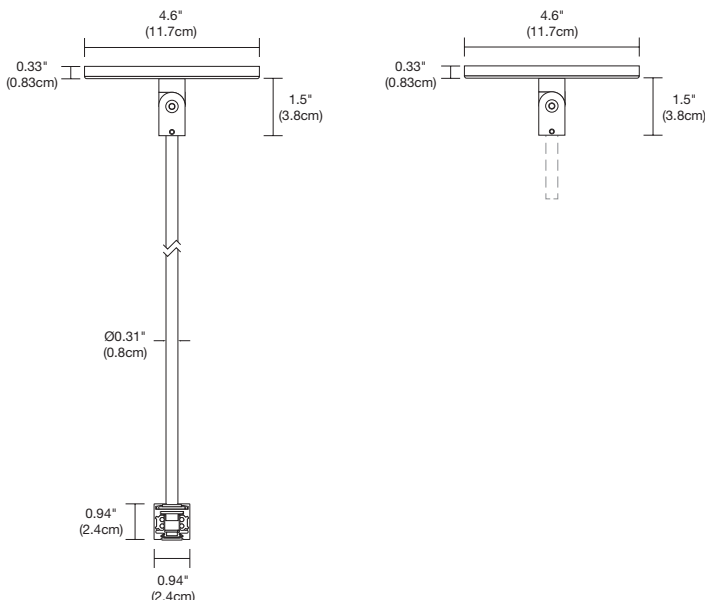
System	Suspension Type	Type	Type	Canopy	Stem Length	Finish
<b>TS24M</b>	<b>STM</b>	<b>2C</b>	<b>LP</b>	<b>2R</b>	<b>36</b>	<b>WH</b>
<b>TS24M</b> Track Surface Mount 24VDC	<b>STM</b> Stem Mount <b>SLC</b> Slop Ceiling Adapter	<b>2C</b> Two Circuit	<b>LP</b> L-Shaped Power Feed, up to 4x 200 Watts <b>LPL</b> L-Shaped Power Feed, Left Power Only, 2x 200 Watts <b>LPR</b> L shaped Power Feed, Right Power Only, 2x 200 Watts	<b>2R</b> 2" Round Canopy <b>4R</b> 4" Round Canopy	<b>4</b> 4" <b>24</b> 24" <b>6</b> 6" <b>30</b> 30" <b>12</b> 12" <b>36</b> 36" <b>14</b> 14" <b>48</b> 48" <b>18</b> 18"	<b>BK</b> Black <b>WH</b> Warm White Powder Coat RAL 9010



## STEM L-SHAPED CONNECTOR

Stem L-Shaped Connector joins two sections of track 90° apart, conducting the power "LC" or isolating the power "LNC". 2" or 4" round canopy

System	Suspension Type	Type	Type	Canopy	Stem Length	Finish
<b>TS24M</b>	<b>STM</b>	<b>2C</b>	<b>LC</b>	<b>2R</b>	<b>36</b>	<b>WH</b>
<b>TS24M</b> Track Surface Mount 24VDC	<b>STM</b> Stem Mount <b>SLC</b> Slop Ceiling Adapter	<b>2C</b> Two Circuit	<b>LC</b> Conductive Connector <b>LNC</b> Non-Conductive Connector	<b>2R</b> 2" Round Canopy <b>4R</b> 4" Round Canopy	<b>4</b> 4" <b>24</b> 24" <b>6</b> 6" <b>30</b> 30" <b>12</b> 12" <b>36</b> 36" <b>14</b> 14" <b>48</b> 48" <b>18</b> 18"	<b>BK</b> Black <b>WH</b> Warm White Powder Coat RAL 9010



## ADDITIONAL SLOPE CEILING ADAPTER

Slope ceiling adapter for 2" or 4" round canopy. Can accommodate sloped ceilings up to 60°.

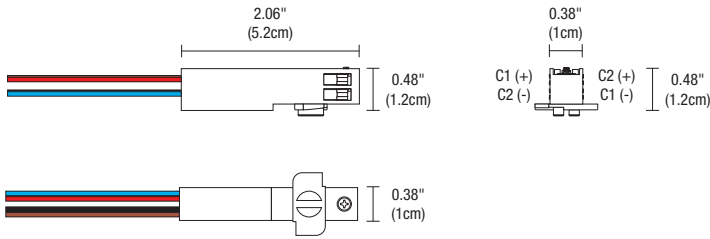
System	Suspension Type	Canopy	Finish
<b>TS24</b>	<b>SLC</b>	<b>2R</b>	<b>WH</b>
<b>TS24</b> Track Surface Mount 24VDC	<b>SLC</b> Slop Ceiling Adapter	<b>2R</b> 2" Round Canopy <b>4R</b> 4" Round Canopy	<b>BK</b> Black <b>WH</b> Warm White Powder Coat RAL 9010

PROJECT	FIXTURE TYPE	DATE
---------	--------------	------

# TS24M MAGNETIC TRACK

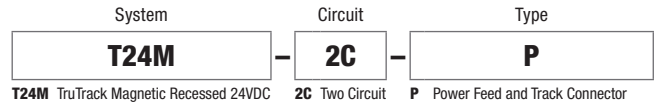
24VDC REMOTE POWER, TWO-CIRCUIT, SURFACE OR SUSPENDED TRACK SYSTEM

REV 05.08.25



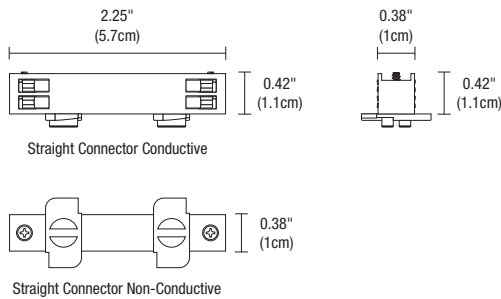
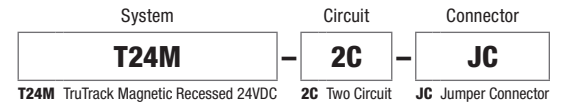
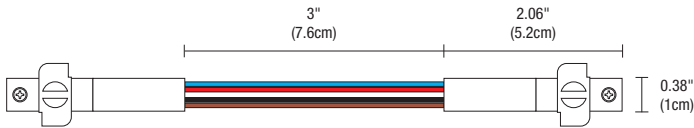
## POWER FEED CONNECTOR

Included with all Power Feeds. Additional Power Feed Connectors for replacement only.



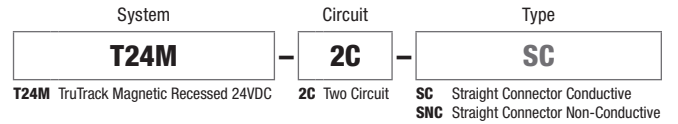
## POWER JUMPER

Included with each conductive connector for connecting two sections of track.

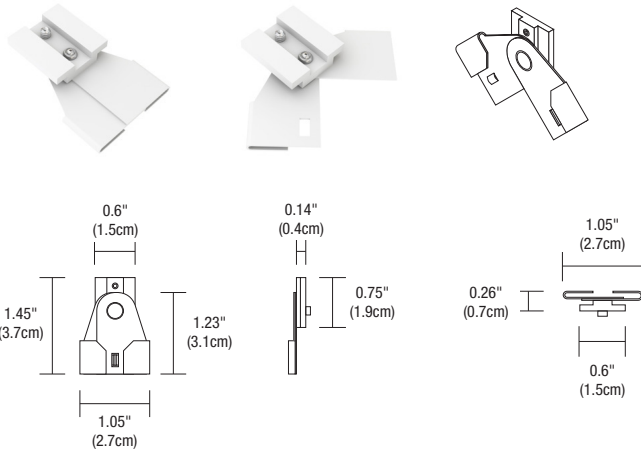


## STRAIGHT CONNECTOR

Straight Connector joins two track sections end to end and is concealed by the slot covers. Required for connecting two sets of track.

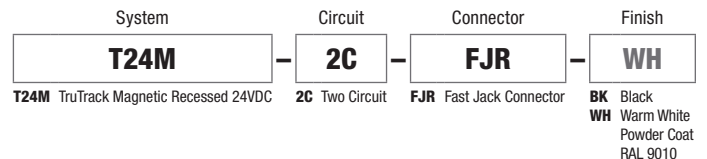
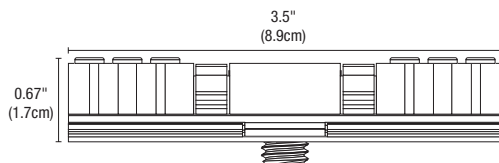
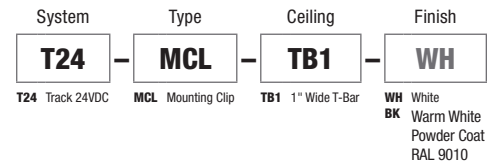


## INCLUDED WITH TRACK HEADS



## TRACK SURFACE T-BAR CEILING MOUNTING CLIP (FOR 1" WIDE T-BAR)

Order 1 for every 2ft of track.



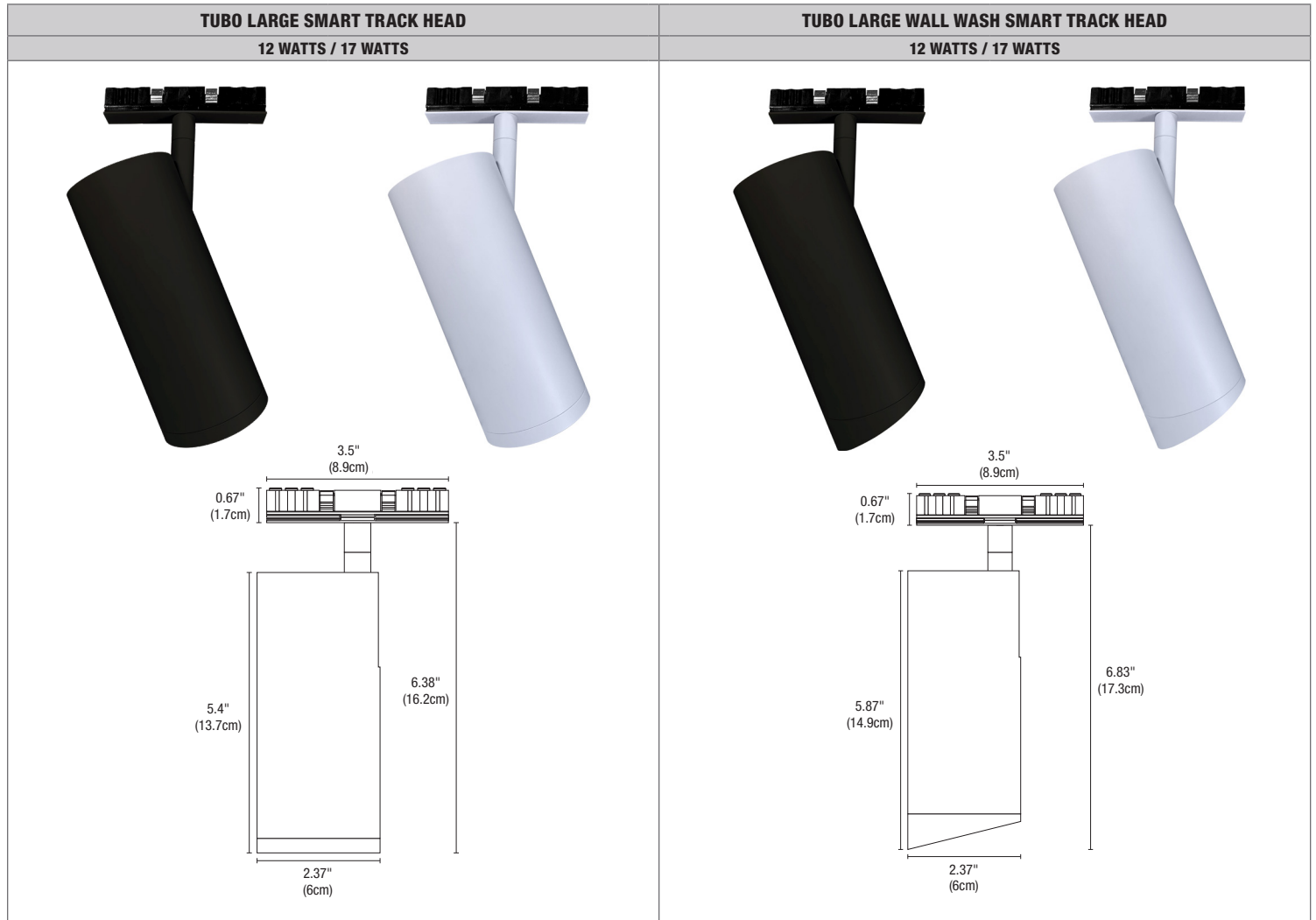
PROJECT	FIXTURE TYPE	DATE
---------	--------------	------

# T24M TRACK HEADS, 2 CIRCUIT MAGNETIC

## 24VDC WITH INTEGRATED LED

PureEdge T24M Track Heads are Compatible with Surface/Suspended Magnetic track (TS24M-2C) and TruTrack® Trim (TTR24M). All uniform beam spread options are field changeable. See accessories page for more information.

### Pure Smart™ TruColor™ RGBTW



System	Type	Fixture	Wattage	Beam Spread Lens	Control	Color Temperature	Finish
<b>T24M</b>	<b>2C</b>	<b>TU2L</b>	<b>12W</b>	<b>NF</b>	<b>WZ</b>	<b>TC</b>	<b>BK</b>
T24M Track Head 24V Magnetic Connector	2C 2 Circuit	TU2L Tubo Large 2	12W 12 Watts 17W 17 Watts*	SP* Spot 16° NF Narrow Flood 30° FL* Flood 35° WF Wide Flood 45° WW Wall Wash	WZ Wiz Smart Control	TC TruColor™ RGBTW Red, Green, Blue & Tunable White 1500K- 6500K	BK Black Powder Coat WH Warm White Powder Coat RAL 9010

\*Not available for WH Finish      \*Has Aura Effect without diffusion film

WATTS	12W										17W							
	20K	22K	24K	27K	30K	35K	40K	57K	65K	20K	22K	24K	27K	30K	35K	40K	57K	65K
COLOR TEMPERATURE	445	462	507	596	670	737	751	596	494	830	862	962	1130	1271	1401	1531	1307	1082
LUMENS	44	44	47	52	56	61	64	60	56	64	62	65	72	79	87	96	93	82
LUMENS PER WATT (lm/w)	86.7	88.3	89.7	93.2	95.2	96.8	96.7	93.9	91.6	86.4	88.4	91.8	94.7	95.9	97.3	96.5	94.8	93.3
CRI	-0.0027	-0.0011	-0.0019	-0.0022	-0.0023	-0.0005	-0.0005	-0.0041	-0.0036	0.0026	0.0026	0.0026	0.0033	0.0037	0.0024	0.0008	0.0024	0.0006
Rf	87	88	90	93	94	94	93	93	91	88	89	92	94	95	95	94	93	92
Rg	104	101	103	103	103	101	100	105	106	105	105	105	104	104	103	100	105	105
R9	91	92	90	94	97	98	94	80	66	84	86	92	97	97	98	85	90	83
R13	83	85	87	91	93	96	96	93	92	82	85	89	93	94	96	99	96	96
R15	92	93	93	95	96	97	95	91	88	90	91	93	96	96	97	96	94	93
WATTS	10	11	11	12	12	12	12	10	9	13	14	15	16	16	16	16	14	13

PROJECT	FIXTURE TYPE	DATE
---------	--------------	------

# T24M TRACK HEADS, 2 CIRCUIT MAGNETIC

## 24VDC WITH INTEGRATED LED

PureEdge T24M Track Heads are Compatible with Surface/Suspended Magnetic track (TS24M-2C) and TruTrack® Trim (TTR24M). All uniform beam spread options are field changeable. See accessories page for more information.

TUBO LARGE	TUBO LARGE DOWNLIGHT
<b>14 WATTS</b>	
<p>Dimensions: 3.5" (8.9cm) width, 0.67" (1.7cm) depth, 4.92" (12.5cm) height, 2.44" (6.2cm) base width, 6.82" (17.3cm) total height.</p>	<p>Dimensions: 3.5" (8.9cm) width, 0.67" (1.7cm) depth, 4.92" (12.5cm) height, 2.44" (6.2cm) base width.</p>
Drawing for dimensional purposes only, do not force head into vertical position, specify Tubo Downlight instead.	

System	Type	Fixture	Beam Spread	Color Temperature	Finish
<b>T24M</b>	<b>2C</b>	<b>TUBL</b>	<b>FL</b>	<b>30K</b>	<b>WH</b>
T24M Track Head 24V Magnetic Connector	2C 2 Circuit	TUBL Tubo Large TUBLD Tubo Large Downlight	NS* Narrow Spot 10° SP Spot 20° NF Narrow Flood 35° FL Flood 45° WF Wide Flood 60° <small>For 7" use STB16 snoot with NS</small>	24K 2400K Very Warm White 27K 2700K Incandescent White 30K 3000K Warm White 30D 3000D Warm Dim 35K 3500K Neutral White 30D NS: 7.5W 400 lumens	BK Black Powder Coat WH Warm White Powder Coat RAL 9010

	BEAM ANGLE REFERENCE 45°				
COLOR TEMPERATURE	24K	27K	30K	30D	35K
TOTAL LUMENS	1238	1035	1069	683	1268
WATTS	14	14	14	14	14
LUMENS PER WATT (lm/w)	88	74	76	49	91
CRI	97	92	91	97	98
TM-30 DATA	R9: 60 Rf: 93 Rg: 98	R9: 97 Rf: 92 Rg: 100	R9: 64 Rf: 91 Rg: 98	R9: 90 Rf: 95 Rg: 102	R9: 92 Rf: 94 Rg: 101

TUBO SMALL	TUBO SMALL DOWNLIGHT
<b>9 WATTS (WARM DIM: 8 WATTS)</b>	
<p>Dimensions: 3.5" (8.9cm) width, 0.67" (1.7cm) depth, 3.94" (10cm) height, 1.61" (4.1cm) base width, 5.84" (14.8cm) total height.</p>	<p>Dimensions: 3.5" (8.9cm) width, 0.67" (1.7cm) depth, 3.94" (10cm) height, 1.61" (4.1cm) base width.</p>
Drawing for dimensional purposes only, do not force head into vertical position, specify Tubo Downlight instead.	

System	Type	Fixture	Beam Spread	Color Temperature	Finish
<b>T24M</b>	<b>2C</b>	<b>TUBS</b>	<b>FL</b>	<b>30K</b>	<b>WH</b>
T24M Track Head 24V Magnetic Connector	2C 2 Circuit	TUBS Tubo Small TUBSD Tubo Small Downlight	NS Narrow Spot 15° SP Spot 25° NF Narrow Flood 35° FL Flood 45° WF Wide Flood 60° <small>*NS with 30D Warm Dim uses snoot, see accessory pages for details</small>	24K 2400K Very Warm White 27K 2700K Incandescent White 30K 3000K Warm White 30D 3000D Warm Dim 35K 3500K Neutral White	BK Black Powder Coat WH Warm White Powder Coat RAL 9010

	BEAM ANGLE REFERENCE 45°				
COLOR TEMPERATURE	24K	27K	30K	30D	35K
TOTAL LUMENS	503	420	434	287	515
WATTS	9	9	9	8	9
LUMENS PER WATT (lm/w)	59	49	51	39	61
CRI	97	92	93	94	98
TM-30 DATA	R9: 60 Rf: 93 Rg: 98	R9: 97 Rf: 92 Rg: 100	R9: 64 Rf: 91 Rg: 98	R9: 90 Rf: 95 Rg: 102	R9: 92 Rf: 94 Rg: 101

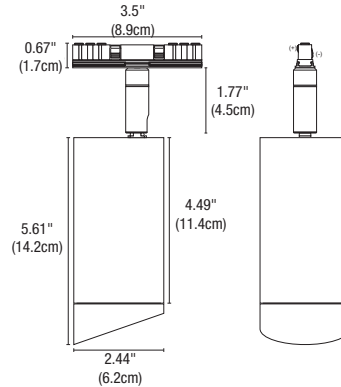
PROJECT	FIXTURE TYPE	DATE
---------	--------------	------

# T24M TRACK HEADS, 2 CIRCUIT MAGNETIC

## 24VDC WITH INTEGRATED LED

### TUBO LARGE WALL WASH

15 WATTS



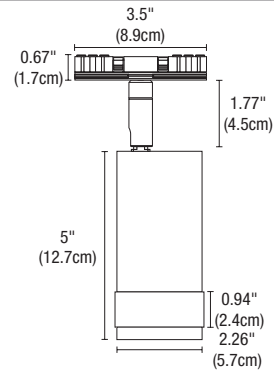
System	Type	Fixture	Beam Spread	Color Temperature	Finish
<b>T24M</b>	<b>2C</b>	<b>TUBL</b>	<b>WW</b>	<b>30K</b>	<b>BK</b>

**T24M** Track Head 24V Magnetic Connector   
 **2C** 2 Circuit   
 **TUBL** Tubo Large   
 **WW** Wall Wash   
 **24K** 2400K Very Warm White   
**27K** 2700K Incandescent White   
**30K** 3000K Warm White   
**30D** 3000K Warm Dim to 1800K   
**35K** 3500K Neutral White   
**BK** Black Powder Coat   
**WH** Warm White Powder Coat RAL 9010

TUBO WALL WASH	
COLOR TEMPERATURE	30K
TOTAL LUMENS	884
WATTS	15
LUMENS PER WATT (lm/w)	59
CRI	92
TM-30 DATA	R9: 61.2 Rf: 92 Rg: 100

### ZOOM

16 WATTS



System	Type	Fixture	Beam Spread	Color Temperature	Finish
<b>T24M</b>	<b>2C</b>	<b>ZOOM</b>	<b>Z2</b>	<b>30K</b>	<b>BK</b>

**T24M** Track Head 24V Magnetic Connector   
 **2C** 2 Circuit   
**ZOOM** Zoom   
**Z1** Zoom Adjust 15° to 55°   
**Z2** Zoom Adjust 20° to 50°   
**24K** 2400K Very Warm White   
**27K** 2700K Incandescent White   
**30K** 3000K Warm White   
**30D** 3000K Warm Dim to 1800K\*   
**35K** 3500K Neutral White   
**BK** Black Powder Coat   
**WH** Warm White Powder Coat RAL 9010

\*Only available for Z2

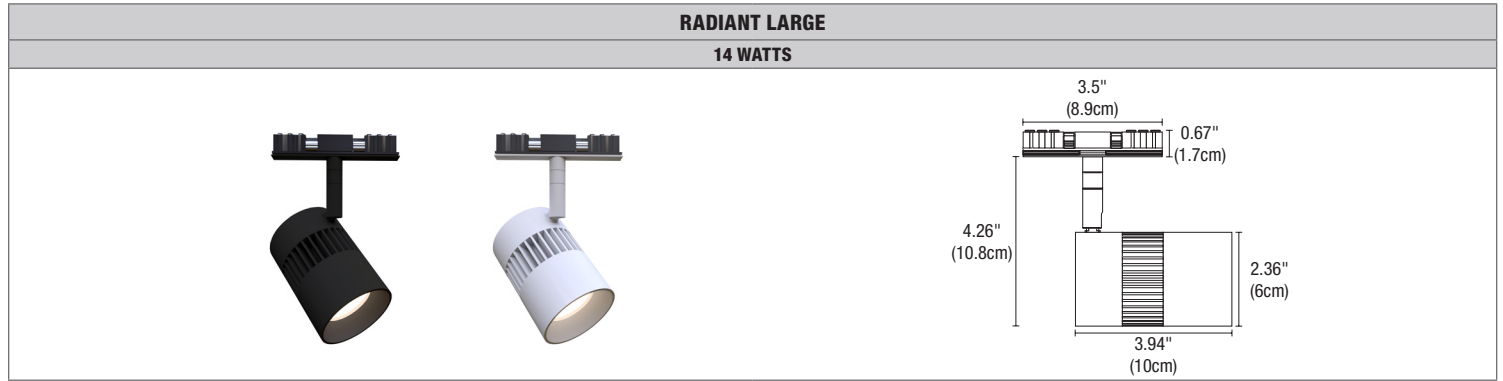
	Z1		Z2		Z2	
BEAM ANGLE	15°	55°	20°	50°	20°	50°
COLOR TEMPERATURE	30K	30K	30K	30K	30D	30D
TOTAL LUMENS	686	873	795	1188	727	879
WATTS	16	16	16	16	15	15
LUMENS PER WATT (lm/w)	46	61	69	89	50	61
CRI	93	93	94	94	97	97
TM-30 DATA	R9: 66 Rf: 92 Rg: 101	R9: 66 Rf: 92 Rg: 101	R9: 74 Rf: 92 Rg: 102	R9: 74 Rf: 92 Rg: 102	R9: 66 Rf: 94 Rg: 101	R9: 66 Rf: 94 Rg: 101

PROJECT		FIXTURE TYPE		DATE	
---------	--	--------------	--	------	--

# T24M TRACK HEADS, 2 CIRCUIT MAGNETIC

## 24VDC WITH INTEGRATED LED

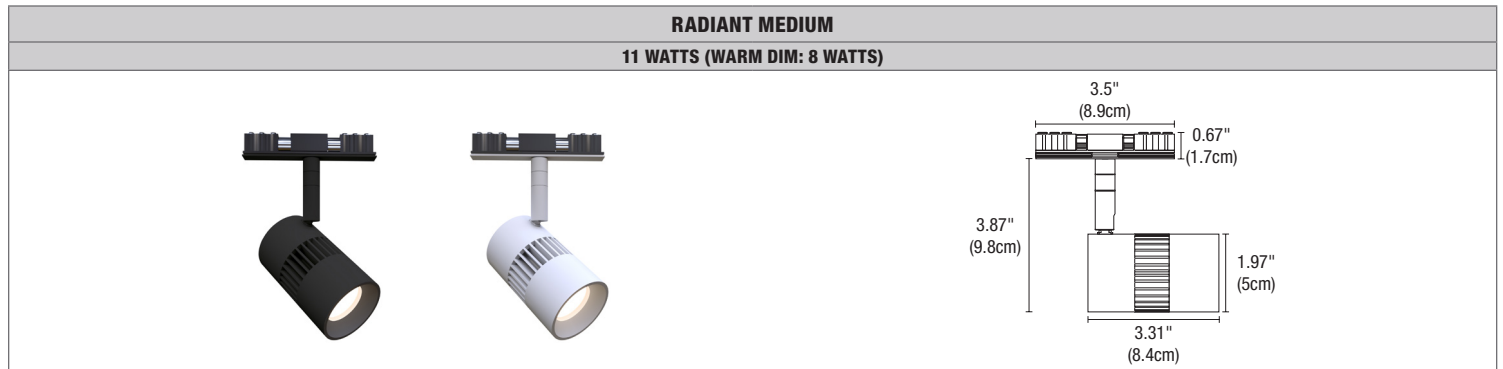
All uniform beam spread options are field changeable.



System	Type	Fixture	Beam Spread	Color Temperature	Finish
<b>T24M</b>	<b>2C</b>	<b>RADL</b>	<b>FL</b>	<b>30K</b>	<b>WH</b>

<b>T24M</b> Track Head 24V Magnetic Connector	<b>2C</b> 2 Circuit	<b>RADL</b> Radiant Large	<b>NS</b> Narrow Spot 10° <b>SP</b> Spot 20° <b>NF</b> Narrow Flood 35° <b>FL</b> Flood 45° <b>WF</b> Wide Flood 60° Warm Dim: <b>NS</b> (15°), <b>SP</b> (25°)	<b>24K</b> 2400K Very Warm White <b>27K</b> 2700K Incandescent White <b>30K</b> 3000K Warm White <b>30D</b> 3000D Warm Dim* <b>35K</b> 3500K Neutral White *Not available in NF	<b>BK</b> Black Powder Coat <b>WH</b> Warm White Powder Coat RAL 9010
---	---------------------	---------------------------	--	--	--

BEAM ANGLE REFERENCE 45°					
COLOR TEMPERATURE	24K	27K	30K	30D	35K
TOTAL LUMENS	1389	1161	1199	838	1422
WATTS	14	14	14	14	14
LUMENS PER WATT (lm/w)	99	83	86	58	102
CRI	97	92	93	97	98
TM-30 DATA	R9: 60 Rf: 93 Rg: 98	R9: 97 Rf: 92 Rg: 100	R9: 64 Rf: 91 Rg: 98	R9: 90 Rf: 95 Rg: 102	R9: 92 Rf: 94 Rg: 101



System	Type	Fixture	Beam Spread	Color Temperature	Finish
<b>T24M</b>	<b>2C</b>	<b>RADM</b>	<b>FL</b>	<b>30K</b>	<b>WH</b>

<b>T24M</b> Track Head 24V Magnetic Connector	<b>2C</b> 2 Circuit	<b>RADM</b> Radiant Medium	<b>SP</b> Spot 20° <b>NF</b> Narrow Flood 35° <b>FL</b> Flood 45° <b>WF</b> Wide Flood 60°	<b>24K</b> 2400K Very Warm White <b>27K</b> 2700K Incandescent White <b>30K</b> 3000K Warm White <b>30D</b> 3000D Warm Dim <b>35K</b> 3500K Neutral White	<b>BK</b> Black Powder Coat <b>WH</b> Warm White Powder Coat RAL 9010
---	---------------------	----------------------------	---	---	--

BEAM ANGLE REFERENCE 45°					
COLOR TEMPERATURE	24K	27K	30K	30D	35K
TOTAL LUMENS	765	639	660	360	783
WATTS	11	11	11	8	11
LUMENS PER WATT (lm/w)	70	58	64	47	76
CRI	97	92	93	93	98
TM-30 DATA	R9: 97 Rf: 92 Rg: 100	R9: 64 Rf: 91 Rg: 98	R9: 90 Rf: 95 Rg: 102	R9: 92 Rf: 94 Rg: 101	R9: 92 Rf: 94 Rg: 101

PROJECT	FIXTURE TYPE	DATE
---------	--------------	------

# T24M TRACK HEADS, 2 CIRCUIT MAGNETIC

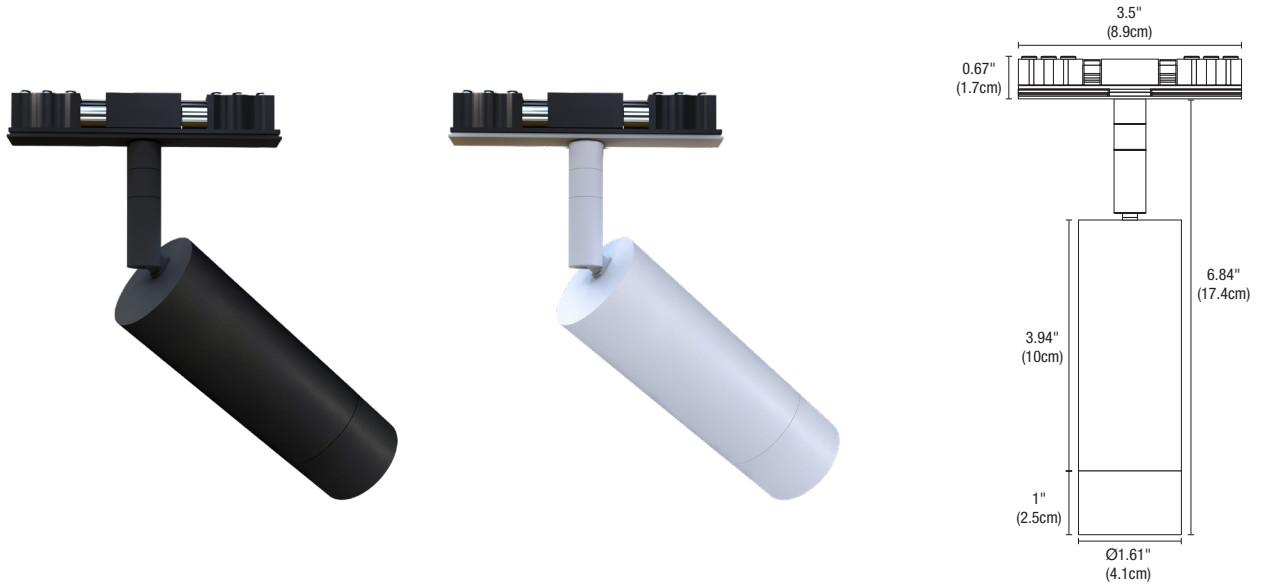
## 24VDC WITH INTEGRATED LED

<b>MATERIAL</b>	Extruded Aluminum	<b>FREQUENCY</b>	50/60HZ	<b>APPLICATION</b>	Suitable for dry locations. Indoor use only.	<b>COMPLIANCE LABEL</b>	ETL to UL 2108 Standard
<b>INPUT VOLTAGE</b>	24VDC	<b>POWER FACTOR</b>	> 0.90	<b>DIMMING &amp; FLICKER</b>	0-10V dimming Flicker less than 2%	<b>LED LAMP LIFE</b>	60,000 Hours

All track heads with the exception of Tubo Wall Wash and Zoom are JA8 listed with universal power supplies in 27K> CCT. Click the link to access our full Title 24 compliance listings: [pureedgelighting.com/resources](http://pureedgelighting.com/resources).

### TUBO SMALL NARROW SPOT (NS) 30D WARM DIM WITH SNOOT DETAIL

\*SNOOT IS INCLUDED IN NS 30D ORDERING CODE & REQUIRED FOR USE\*



PROJECT		FIXTURE TYPE		DATE	
---------	--	--------------	--	------	--

# T24M TRACK HEADS, 2 CIRCUIT MAGNETIC

## 24VDC WITH INTEGRATED LED

### Additional Lenses and Accessories

REV 05.08.25

TUBO LARGE LENS		SNOOT		LOUVER	FOCUS LENS	LINEAR SPREAD FILM	
<b>ORDERING CODE</b>	<b>STATIC WHITE</b> LEN-TUBL-NS-SW LEN-TUBL-SP-SW LEN-TUBL-NF-SW LEN-TUBL-FL-SW LEN-TUBL-WF-SW	<b>WARM DIM</b> LEN-TUBL-SP-WD LEN-TUBL-NF-WD LEN-TUBL-FL-WD LEN-TUBL-WF-WD	<b>STB16-BK</b> <b>STB16-WH (WHITE SHELL)</b>	<b>ST16-BK</b> <b>ST16-WH</b>	<b>L016-H</b>	<b>LF-TUBL-SF (SOFT FOCUS),</b> <b>MF (MEDIUM FOCUS),</b> <b>WF (WIDE FOCUS)</b>	<b>LF-TUBL-LS</b>
<b>LENS SIZE</b>	2" (50mm) Diameter						
<b>BEAM SPREADS</b>	<b>NS (10°), SP (20°), NF (35°)</b> <b>FL (45°), WF (60°)</b>		Conical snoot creates a 7° Beam spread and is designed to reduce spill and control glare. Spun aluminum.	Snoot is designed to reduce spill and control glare. Spun aluminum.	Hexcell louver eliminates glare. 0.125" Thickness.	Soft focus lens is included with every track head. Diffuses the beam, providing uniform illumination.	Linear spread film: directs the light into an elongated beam. Typical applications using 10°, 15°, 25° include illuminating landscape oriented art. 35°, 40°, 60° create an elongated oval typically used for wall washing.

TUBO SMALL LENS		SNOOT		LOUVER	FOCUS LENS	LINEAR SPREAD FILM	
<b>ORDERING CODE</b>	<b>STATIC WHITE</b> LEN-TUBS-NS-SW LEN-TUBS-SP-SW LEN-TUBS-NF-SW LEN-TUBS-FL-SW LEN-TUBS-WF-SW	<b>WARM DIM</b> LEN-TUBS-NS-WD LEN-TUBS-SP-WD LEN-TUBS-NF-WD LEN-TUBS-FL-WD LEN-TUBS-WF-WD	<b>TUBS-ST-BK</b> <b>TUBS-ST-WH (WHITE SHELL)</b>		<b>L011-H</b>	<b>LF-TUBS-SF (SOFT FOCUS),</b> <b>MF (MEDIUM FOCUS),</b> <b>WF (WHITE FOCUS)</b>	<b>LF-TUBS-LS</b>
<b>LENS SIZE</b>	1.37" (35mm) Diameter						
<b>BEAM SPREADS</b>	<b>NS (15°), SP (25°), NF (35°),</b> <b>FL (45°), WF (60°)</b>		Conical snoot creates a 7° Beam spread and is designed to reduce spill and control glare. Spun aluminum.	Hexcell louver eliminates glare. 0.125" Thickness.	Soft focus lens is included with every track head. Diffuses the beam, providing uniform illumination.	Linear spread film: directs the light into an elongated beam. Typical applications using 10°, 15°, 25° include illuminating landscape oriented art. 35°, 40°, 60° create an elongated oval typically used for wall washing.	

RADIANT LARGE LENS		SNOOT		LOUVER	FOCUS LENS	LINEAR SPREAD FILM	
<b>ORDERING CODE</b>	<b>STATIC WHITE</b> LEN-RADL-NS-SW LEN-RADL-SP-SW LEN-RADL-NF-SW LEN-RADL-FL-SW LEN-RADL-WF-SW	<b>WARM DIM</b> LEN-RADL-NS-WD LEN-RADL-SP-WD LEN-RADL-FL-WD LEN-RADL-WF-WD	<b>STB16-BK</b> <b>STB16-WH (WHITE SHELL)</b>		<b>L016-H</b>	<b>LF-RADL-SF (SOFT FOCUS),</b> <b>MF (MEDIUM FOCUS),</b> <b>WF (WIDE FOCUS)</b>	<b>LF-RADL-LS</b>
<b>LENS SIZE</b>	2" (50mm) Diameter						
<b>BEAM SPREADS</b>	<b>NS (10°), SP (20°),</b> <b>NF (35°), FL (45°),</b> <b>WF (60°)</b>	<b>NS (15°), SP (25°),</b> <b>FL (45°), WF (60°)</b>	Conical snoot creates a 7° Beam spread and is designed to reduce spill and control glare. Spun aluminum.	Hexcell louver eliminates glare. 0.125" Thickness.	Soft focus lens is included with every track head. Diffuses the beam, providing uniform illumination.	Linear spread film: directs the light into an elongated beam. Typical applications using 10°, 15°, 25° include illuminating landscape oriented art. 35°, 40°, 60° create an elongated oval typically used for wall washing.	

RADIANT MEDIUM LENS		LOUVER	FOCUS LENS	LINEAR SPREAD FILM	
<b>ORDERING CODE</b>	<b>STATIC WHITE</b> LEN-RADM-SP-SW LEN-RADM-NF-SW LEN-RADM-FL-SW LEN-RADM-WF-SW	<b>WARM DIM</b> LEN-RADM-SP-WD LEN-RADM-NF-WD LEN-RADM-FL-WD LEN-RADM-WF-WD	<b>L011-H</b>	<b>LF-RADM-SF (SOFT FOCUS)</b> <b>MF (MEDIUM FOCUS),</b> <b>WF (WIDE FOCUS)</b>	<b>LF-RADM-LS</b>
<b>LENS SIZE</b>	1.37" (35mm) Diameter				
<b>BEAM SPREADS</b>	<b>SP (20°), NF (35°), FL (45°),</b> <b>WF (60°)</b>		Hexcell louver eliminates glare. 0.125" Thickness.	Soft focus lens is included with every track head. Diffuses the beam, providing uniform illumination.	Linear spread film: directs the light into an elongated beam. Typical applications using 10°, 15°, 25° include illuminating landscape oriented art. 35°, 40°, 60° create an elongated oval typically used for wall washing.

PROJECT		FIXTURE TYPE		DATE	
---------	--	--------------	--	------	--

# T24M TRACK HEADS, 2 CIRCUIT MAGNETIC

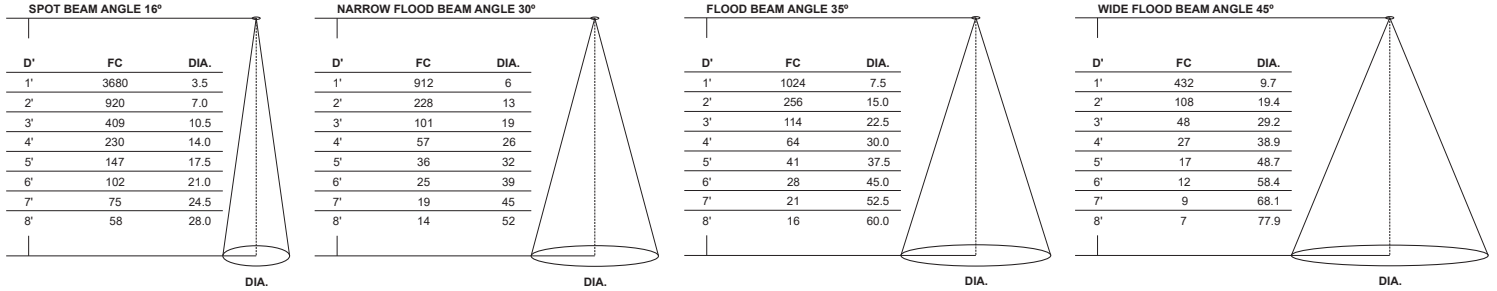
24VDC WITH INTEGRATED LED

REV 05.08.25

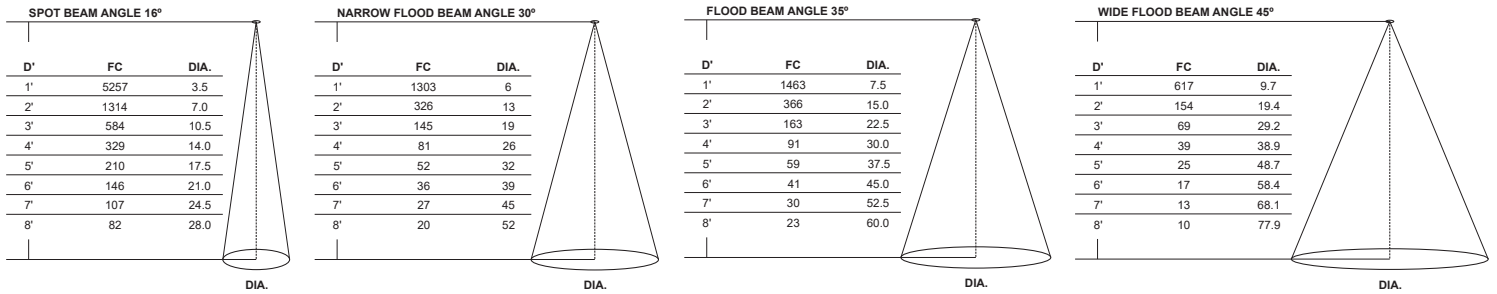
## TUBO LARGE RGBTW SMART TRACKHEAD Photometric Data at 3000K

D - Distance from TUBO LARGE fixture  
 FC - Initial foot candles at the center of beam  
 DIA - Diameter

### 12 Watt

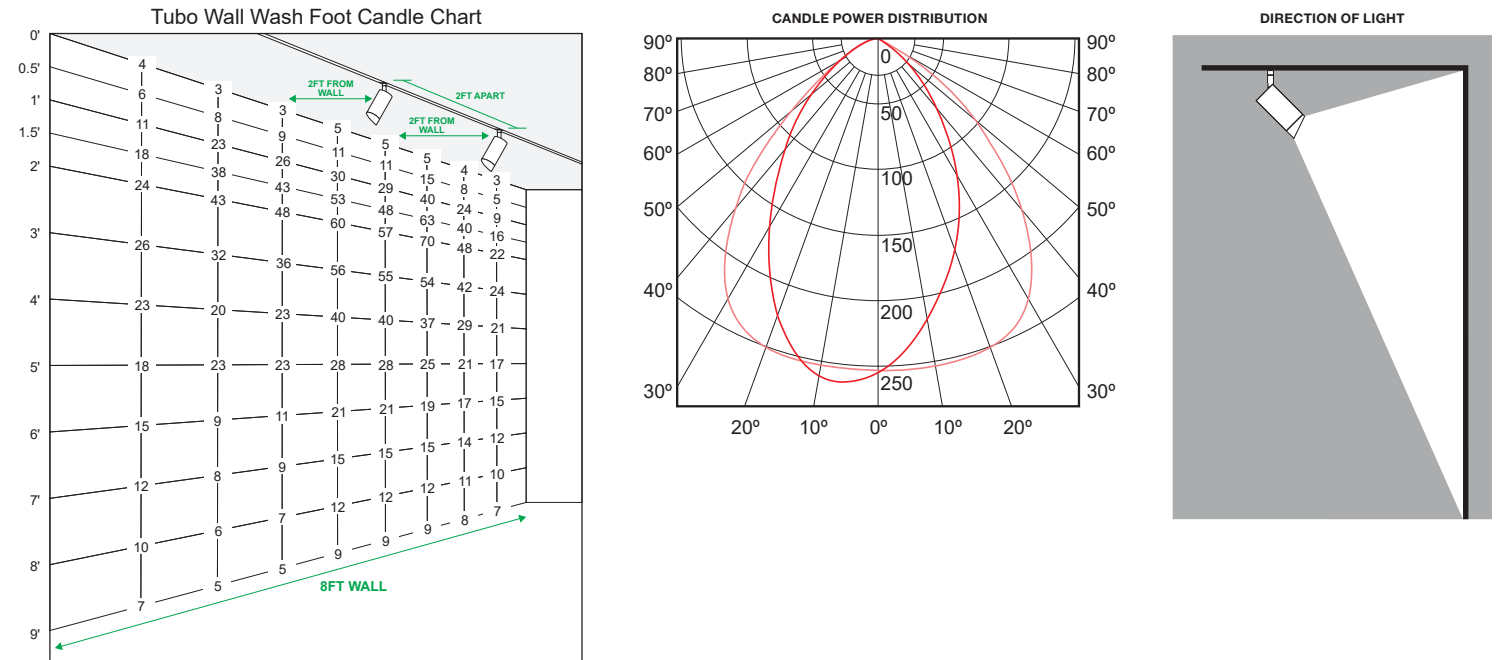


### 17 Watt



## TUBO WALL WASH RGBTW SMART TRACKHEAD Photometric Data at 3000K

D - Distance from fixture  
 FC - Initial foot candles at the center of beam  
 DIA - Diameter



PROJECT	FIXTURE TYPE	DATE
---------	--------------	------

# T24M TRACK HEADS, 2 CIRCUIT MAGNETIC

24VDC WITH INTEGRATED LED

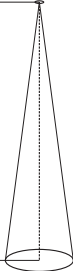
REV 05.08.25

## TUBO LARGE Photometric Data at 3000K

**D** - Distance from fixture  
**FC** - Initial foot candles at the center of beam  
**DIA** - Diameter

**NARROW SPOT BEAM ANGLE 10°**

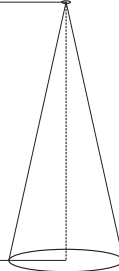
D'	FC	DIA.
1'	17300	2.2"
2'	4330	4.3"
3'	1930	6.5"
4'	1080	8.6"
5'	694	10.8"
6'	482	12"
7'	354	15"
8'	271	18"



DIA.

**SPOT BEAM ANGLE 20°**

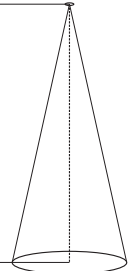
D'	FC	DIA.
1'	2582	4.3"
2'	1860	8.6"
3'	828	13"
4'	466	17.3"
5'	298	21.6"
6'	207	25.9"
7'	152	30.2"
8'	117	34.6"



DIA.

**NARROW FLOOD BEAM ANGLE 35°**

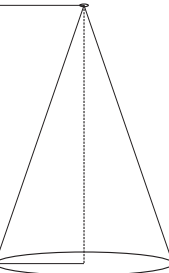
D'	FC	DIA.
1'	2780	7.6"
2'	695	15.1"
3'	309	22.7"
4'	174	30"
5'	111	37.2"
6'	77.2	45.4"
7'	56.7	53"
8'	43.4	62.5"



DIA.

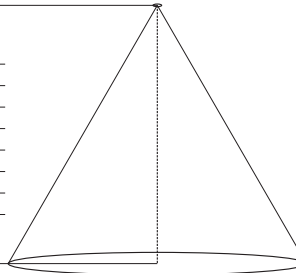
**FLOOD BEAM ANGLE 45°**

D'	FC	DIA.
1'	1610	9.8"
2'	403	18"
3'	179	29.2"
4'	101	40"
5'	64.5	48"
6'	44.8	58.3"
7'	32.9	68"
8'	25.2	80"



**WIDE FLOOD BEAM ANGLE 60°**

D'	FC	DIA.
1'	561	16.2"
2'	140	32.4"
3'	62.3	48"
4'	35	64.8"
5'	22.4	81"
6'	15.6	97.2"
7'	11.4	113.4"
8'	8.8	129.6"

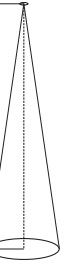


## TUBO SMALL Photometric Data at 3000K

**D** - Distance from fixture  
**FC** - Initial foot candles at the center of beam  
**DIA** - Diameter

**NARROW SPOT BEAM ANGLE 15°**

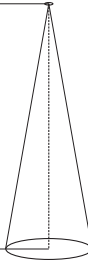
D'	FC	DIA.
1'	3890	3.2"
2'	972	6.4"
3'	432	9.7"
4'	243	12.9"
5'	156	16.2"
6'	108	19.4"
7'	79	22.6"
8'	61	25.9"



DIA.

**SPOT BEAM ANGLE 25°**

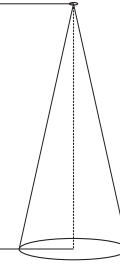
D'	FC	DIA.
1'	2080	5.4"
2'	520	10.8"
3'	231	16.2"
4'	130	21.6"
5'	83	27"
6'	57.8	32.4"
7'	42.4	37.8"
8'	32.5	43.2"



DIA.

**NARROW FLOOD BEAM ANGLE 35°**

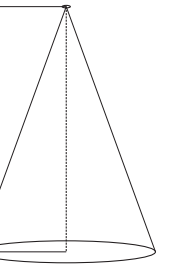
D'	FC	DIA.
1'	1540	7.5"
2'	385	15.1"
3'	171	22.6"
4'	96.3	30"
5'	61.6	37.2"
6'	42.8	45.3"
7'	31.4	53"
8'	24.1	62.5"



DIA.

**FLOOD BEAM ANGLE 45°**

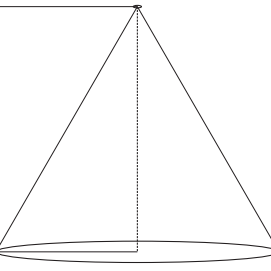
D'	FC	DIA.
1'	496	9.7"
2'	124	19.4"
3'	55.1	29.1"
4'	31	38.8"
5'	19.8	48.6"
6'	13.8	58.3"
7'	10.1	68.0"
8'	7.75	77.7"



DIA.

**WIDE FLOOD BEAM ANGLE 60°**

D'	FC	DIA.
1'	265	16.2"
2'	66.3	32.4"
3'	29.4	48"
4'	16.6	64.8"
5'	10.6	81"
6'	7.3	97.2"
7'	5.4	113.4"
8'	4.1	129.6"



DIA.

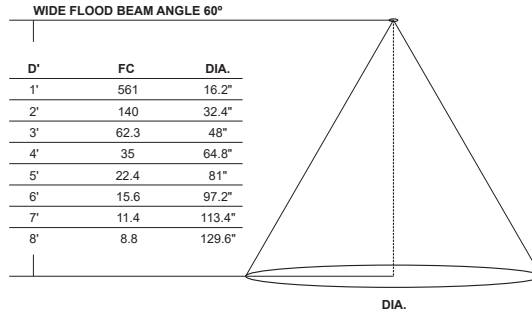
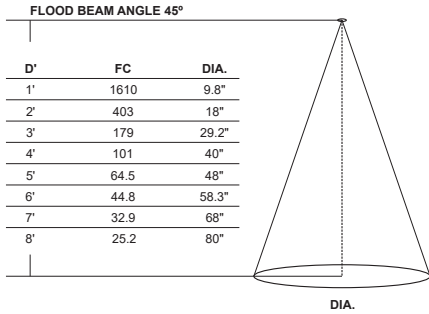
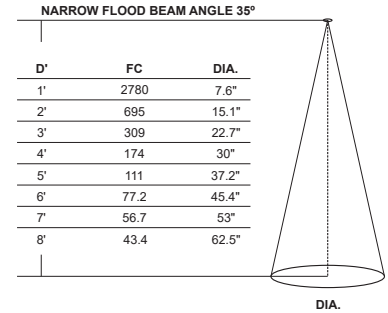
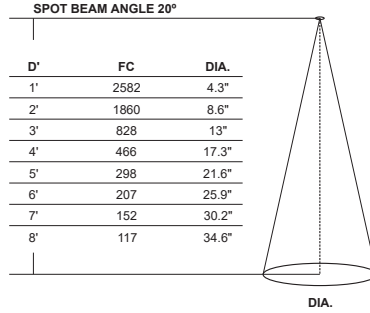
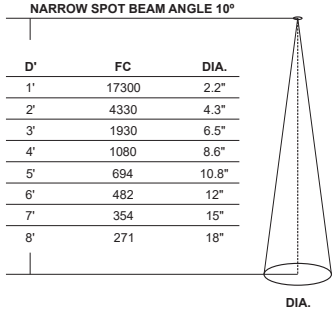
PROJECT	FIXTURE TYPE	DATE
---------	--------------	------

# T24M TRACK HEADS, 2 CIRCUIT MAGNETIC

## 24VDC WITH INTEGRATED LED

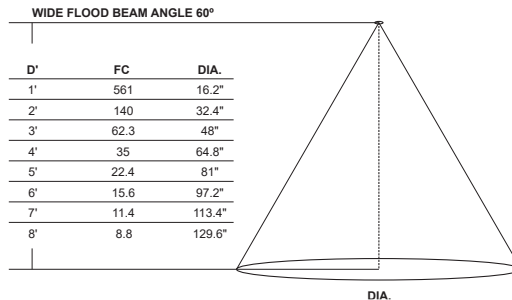
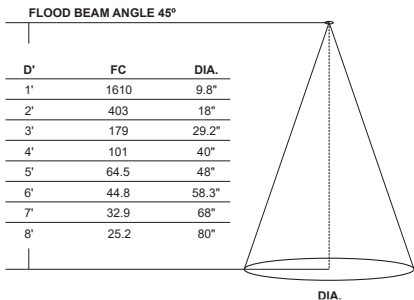
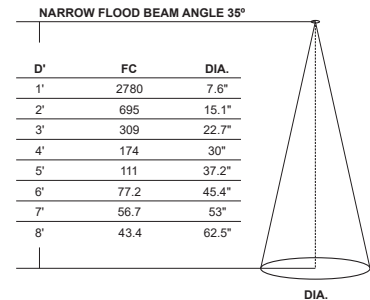
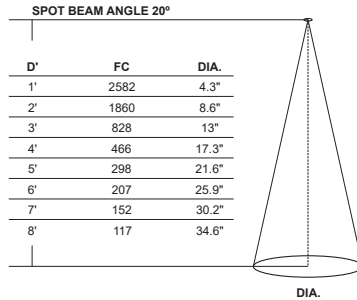
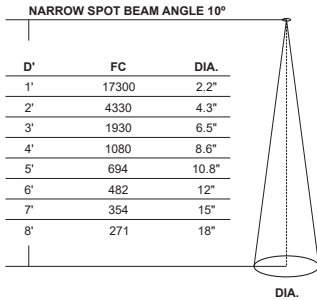
### TUBO LARGE DOWNLIGHT Photometric Data at 3000K

**D** - Distance from fixture  
**FC** - Initial foot candles at the center of beam  
**DIA** - Diameter



### TUBO SMALL DOWNLIGHT Photometric Data at 3000K

**D** - Distance from fixture  
**FC** - Initial foot candles at the center of beam  
**DIA** - Diameter



PROJECT	FIXTURE TYPE	DATE
---------	--------------	------

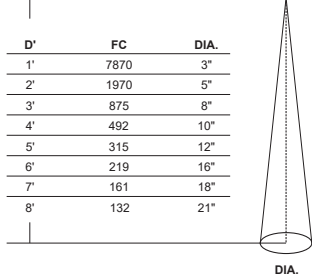
# T24M TRACK HEADS, 2 CIRCUIT MAGNETIC

24VDC WITH INTEGRATED LED

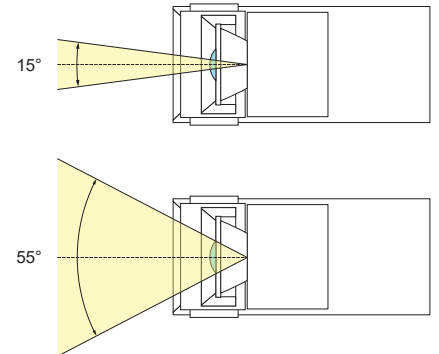
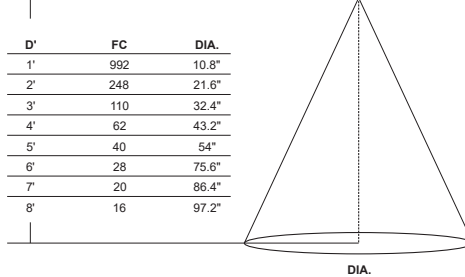
## ZOOM Z1 Photometric Data at 3000K

**D** - Distance from fixture  
**FC** - Initial foot candles at the center of beam  
**DIA** - Diameter

15° BEAM ANGLE



55° BEAM ANGLE

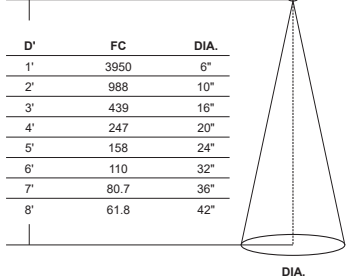


Z1: Adjustable between 15° and 55°

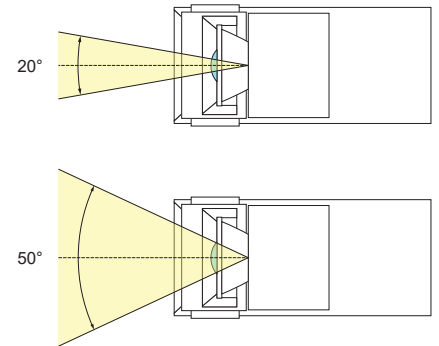
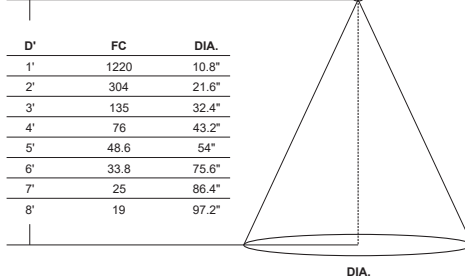
## ZOOM Z2 Photometric Data at 3000K

**D** - Distance from fixture  
**FC** - Initial foot candles at the center of beam  
**DIA** - Diameter

20° BEAM ANGLE



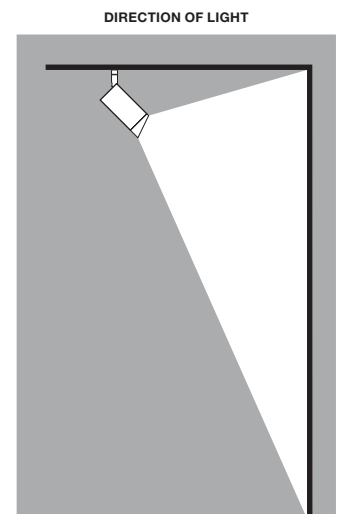
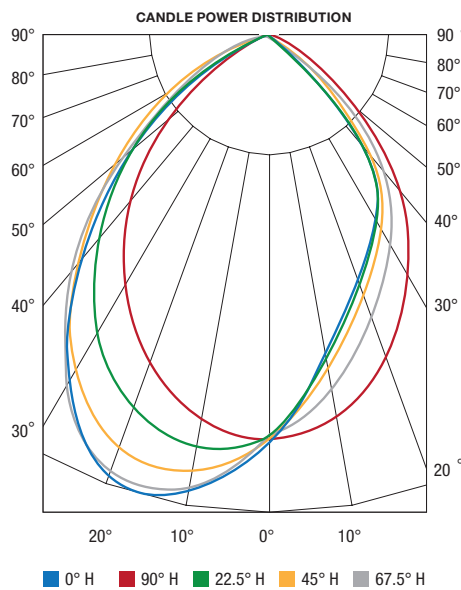
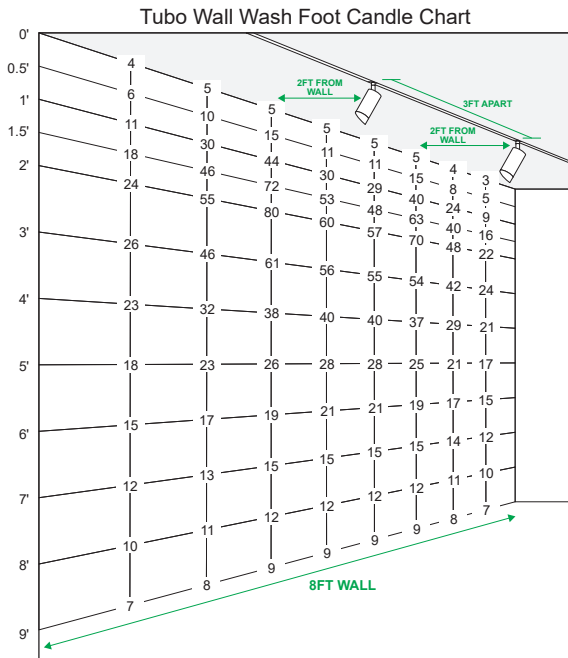
50° BEAM ANGLE



Z2: Adjustable between 20° and 50°

## TUBO WALL WASH Photometric Data at 3000K

**D** - Distance from fixture  
**FC** - Initial foot candles at the center of beam  
**DIA** - Diameter



PROJECT	FIXTURE TYPE	DATE
---------	--------------	------

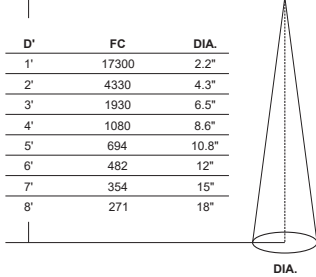
# T24M TRACK HEADS, 2 CIRCUIT MAGNETIC

24VDC WITH INTEGRATED LED

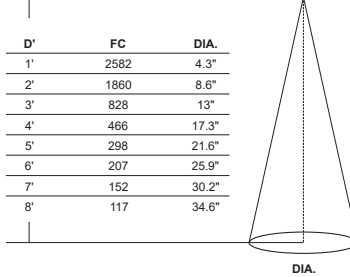
## RADIANT LARGE Photometric Data at 3000K

**D** - Distance from fixture  
**FC** - Initial foot candles at the center of beam  
**DIA** - Diameter

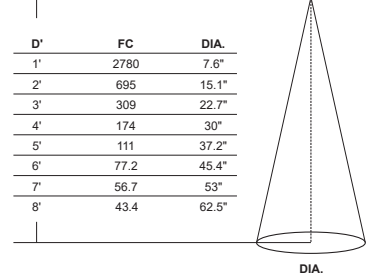
NARROW SPOT BEAM ANGLE 10°



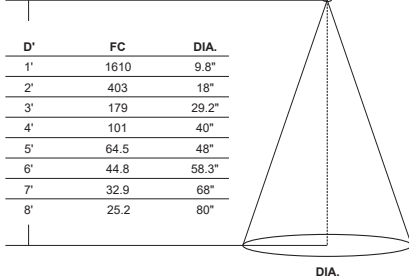
SPOT BEAM ANGLE 20°



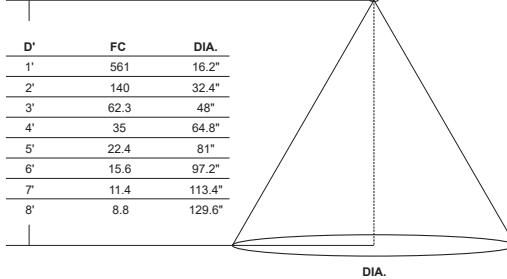
NARROW FLOOD BEAM ANGLE 35°



FLOOD BEAM ANGLE 45°



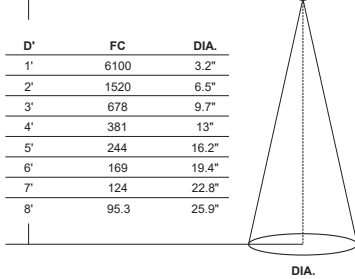
WIDE FLOOD BEAM ANGLE 60°



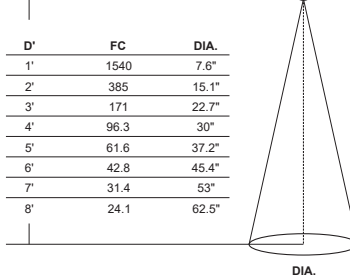
## RADIANT MEDIUM Photometric Data at 3000K

**D** - Distance from fixture  
**FC** - Initial foot candles at the center of beam  
**DIA** - Diameter

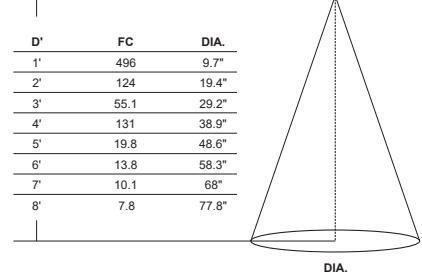
SPOT BEAM ANGLE 20°



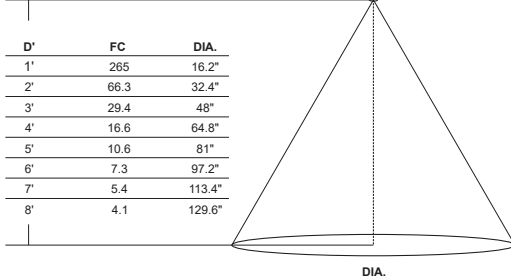
NARROW FLOOD BEAM ANGLE 35°



FLOOD BEAM ANGLE 45°



WIDE FLOOD BEAM ANGLE 60°



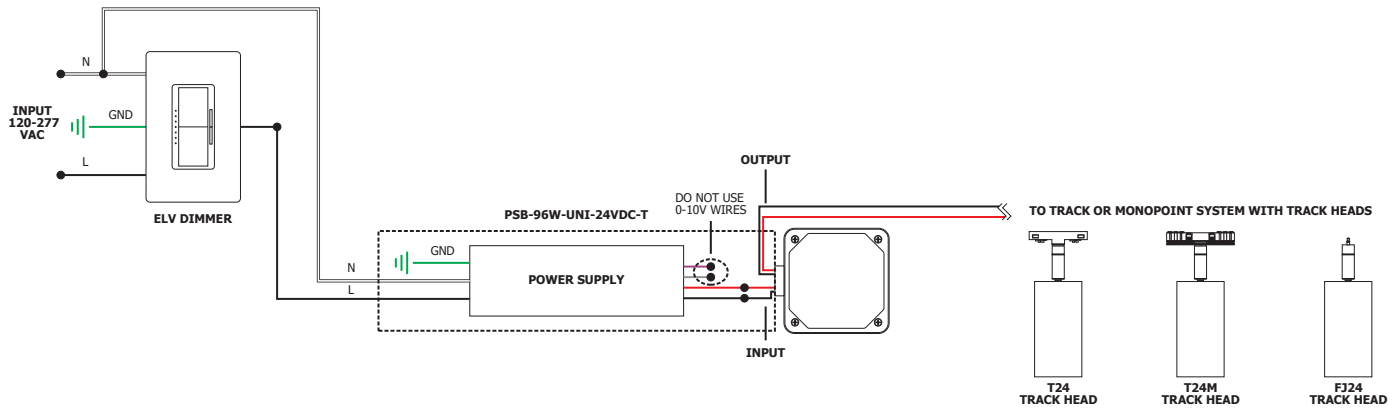
PROJECT	FIXTURE TYPE	DATE	
---------	--------------	------	--

# UNIVERSAL POWER SUPPLIES WITH TRIM

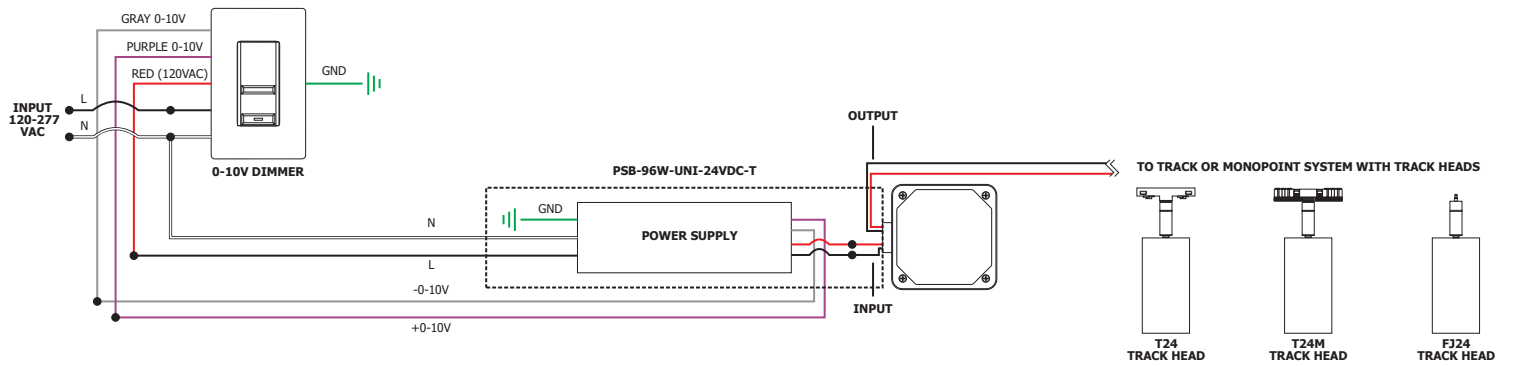
24VDC, UNIVERSAL DIMMING (ELV, TRIAC, 0-10V) STATIC WHITE & WARM DIM FOR TRACK HEADS

REV 05.08.25

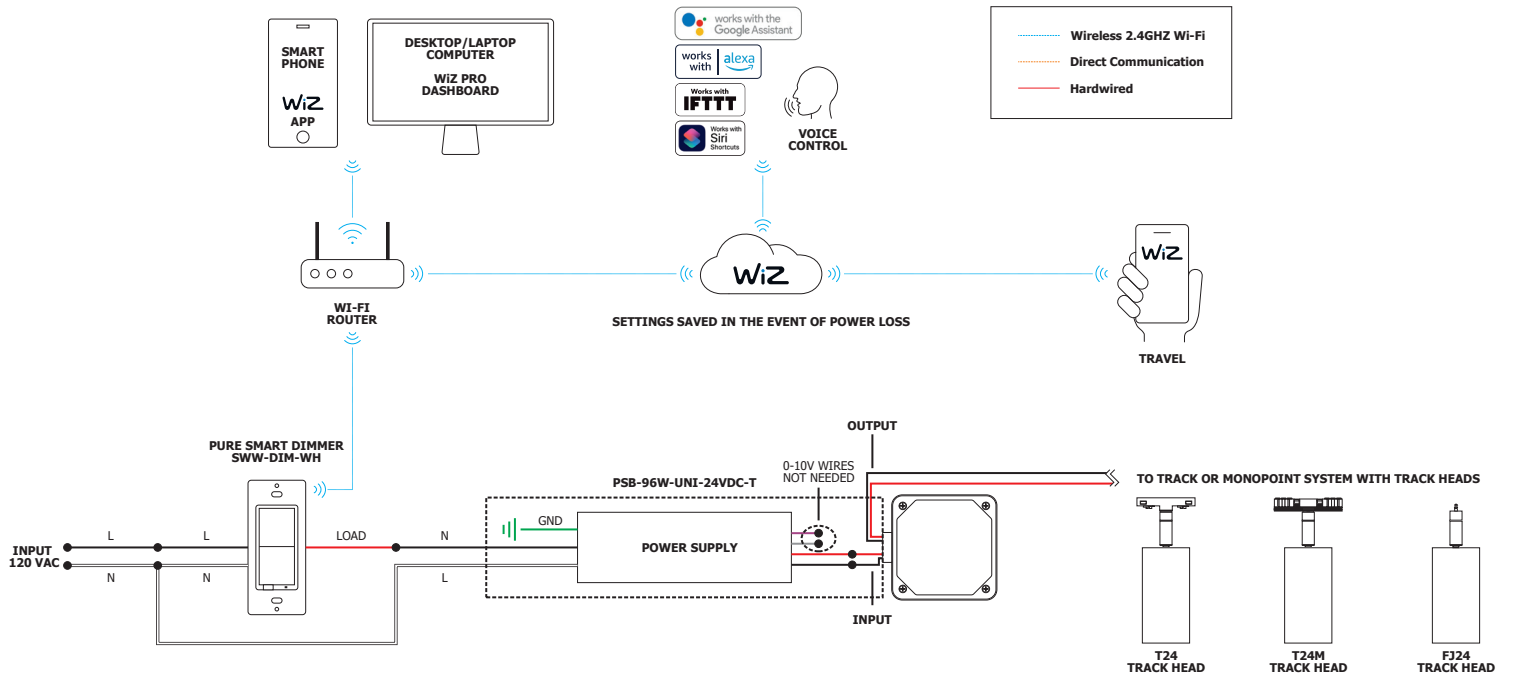
## ELV WIRING DIAGRAM



## 0-10V WIRING DIAGRAM



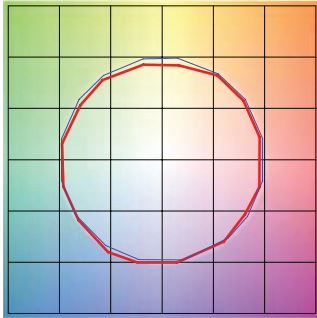
## SMART WIRING DIAGRAM & NETWORK TOPOGRAPHY



PROJECT	FIXTURE TYPE	DATE
---------	--------------	------

**TM-30-15 DATA:** Consistent color temperatures among multiple track heads is possible through a 3 phase binning process in which each order is inspected with a color meter to ensure uniformity.

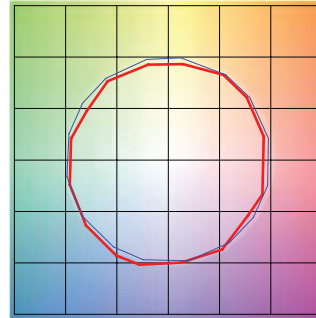
**2400K** | Rf: 91.2 | Rg: 96.8  
Color Vector Graphic



■ Test ■ Reference

HUE BIN	Rf	GRAPHIC SHIFTS %	
		CHROMA	HUE
1	92.0	-2.4%	1.5%
2	94.7	-2.1%	0.0%
3	95.4	-1.9%	-0.1%
4	88.7	-6.7%	-3.1%
5	92.8	-5.6%	1.0%
6	92.7	-3.4%	3.4%
7	89.9	-4.3%	4.1%
8	92.4	-1.4%	4.4%
9	89.0	-0.6%	5.8%
10	88.9	0.4%	6.2%
11	89.7	4.0%	5.4%
12	92.6	3.0%	-0.7%
13	90.9	1.1%	-7.0%
14	89.9	0.5%	-5.8%
15	92.1	-3.2%	0.1%
16	88.9	-1.7%	-6.3%

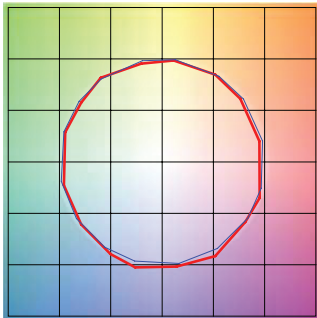
**2700K** | Rf: 87.7 | Rg: 96.1  
Color Vector Graphic



■ Test ■ Reference

HUE BIN	Rf	GRAPHIC SHIFTS %	
		CHROMA	HUE
1	88.0	-4.3%	2.6%
2	91.6	-2.4%	2.0%
3	93.7	-1.4%	1.9%
4	88.9	-5.6%	-3.1%
5	92.3	-5.5%	-0.5%
6	92.9	-3.5%	0.1%
7	84.5	-7.5%	4.6%
8	90.8	-3.0%	4.4%
9	84.5	-1.3%	8.3%
10	83.9	2.0%	9.8%
11	87.2	5.3%	7.1%
12	89.2	5.4%	-2.6%
13	88.7	0.3%	-7.8%
14	86.8	1.7%	-9.3%
15	87.6	-5.4%	-1.3%
16	83.6	-3.3%	-9.5%

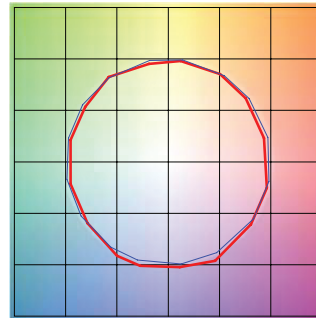
**3000K** | Rf: 88.1 | Rg: 99.7  
Color Vector Graphic



■ Test ■ Reference

HUE BIN	Rf	GRAPHIC SHIFTS %	
		CHROMA	HUE
1	92.5	-3.1%	0.3%
2	93.3	-2.3%	1.9%
3	90.9	-0.8%	3.9%
4	94.3	-1.1%	1.4%
5	92.5	-2.6%	1.5%
6	96.4	1.2%	-0.3%
7	92.6	-2.5%	-0.0%
8	96.9	-1.4%	0.2%
9	92.3	-1.8%	4.3%
10	86.6	-0.7%	7.0%
11	86.5	2.4%	8.2%
12	89.8	5.9%	1.7%
13	93.9	2.6%	-2.7%
14	89.4	5.1%	-5.8%
15	90.1	-0.1%	-4.7%
16	86.5	0.3%	-9.7%

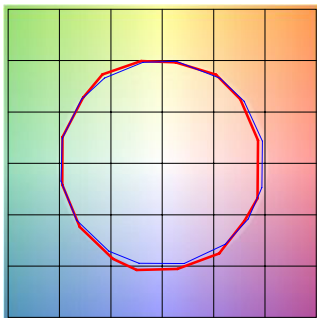
**3500K** | Rf: 86.1 | Rg: 95.5  
Color Vector Graphic



■ Test ■ Reference

HUE BIN	Rf	GRAPHIC SHIFTS %	
		CHROMA	HUE
1	90.8	-3.8%	0.3%
2	92.3	-2.8%	2.1%
3	89.7	-1.0%	4.3%
4	92.6	-1.4%	1.7%
5	91.8	-3.1%	1.3%
6	96.2	0.8%	-0.4%
7	92.9	-3.2%	0.2%
8	94.3	-2.5%	1.5%
9	90.4	-2.5%	5.2%
10	84.3	-1.4%	9.5%
11	83.1	3.5%	9.8%
12	88.2	4.8%	3.4%
13	94.0	2.7%	-2.0%
14	88.7	5.9%	-5.8%
15	88.7	0.7%	-5.9%
16	86.8	-0.7%	-6.7%

**3000D** | Rf: 89.8 | Rg: 101.4  
Color Vector Graphic



■ Test ■ Reference

HUE BIN	Rf	GRAPHIC SHIFTS %	
		CHROMA	HUE
1	90.2	-4.2%	1.5%
2	90.9	-2.0%	3.7%
3	87.9	0.8%	5.5%
4	92.1	-0.9%	0.6%
5	93.0	1.5%	1.6%
6	92.2	3.9%	-0.2%
7	92.1	-0.3%	-2.0%
8	96.7	0.0%	-1.2%
9	92.5	-0.6%	3.7%
10	88.3	1.1%	7.0%
11	87.2	4.1%	7.4%
12	87.2	6.7%	-1.0%
13	88.2	3.8%	-7.2%
14	85.3	4.3%	-9.9%
15	90.9	-2.2%	-3.6%
16	83.4	-2.2%	-11.2%

PROJECT	FIXTURE TYPE	DATE
---------	--------------	------

PROJECT		FIXTURE TYPE		DATE	
---------	--	--------------	--	------	--