

CHOOSE your T24 Track Head. Radiant Medium shown.

**DESCRIPTION**

The TS24 Track Surface Mount is designed with a 24VDC remote power supply and smaller track heads which create a refined appearance. The Single Circuit Track comes with a plastic slot cover that hides the #10 Gauge Copper Track allowing the system to blend into the ceiling. Offered in various lengths and can be cut in the field. The T24 Track Heads offer the latest in LED technology including Warm Dim.

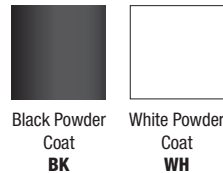
**FEATURES**

- Designed for use with 24VDC Universal Remote Power Supplies up to 40' away
- Remote Power Supply, and smaller Track Heads create a refined architectural aesthetic
- Track Heads allow you to easily adjust the fixture direction, tilt and rotation with one hand
- Track Heads are available in five color temperatures including Warm Dim (30D) that dims from 3000K down to 1900K
- Track Head Lumen Output up to 1256 Lumens with multiple fixed and adjustable beam spread options
- Designer-grade Color Rendering 95CRI
- Power Feeds may be ordered in End and Center, up to 100 Watts before re-feeding, 200 Watts with Center Feed
- TS24 Track Surface Mount is available in 2', 4', 6' and 8' lengths, with the ability to be cut in the field
- Opaque white cover is included to conceal the track slot
- 10 Gauge busbar helps to eliminate voltage drop

**APPLICATIONS**

Suitable for damp or dry location. Interior use only.

**FINISH & MATERIAL**



- Extruded Aluminum Channel and a pair of #10 Gauge copper busbar conductors

**TRACK HEAD, INTEGRAL LED**

- 30D (Warm Dim 3000K-1900K) or Standard dim in 24K, 27K, 30K and 35K
- 50,000 Hour Lamp Life


**POWER SUPPLY AND DIMMING (SOLD SEPARATELY)**

24VDC, Class 2 wiring

- [UNI Driver](#): Universal Dimming (TRIAC, ELV, 0-10V)

\*In-Wall Mounting and drop ceiling Kits available for select power supplies

**WARRANTY / LABELS**

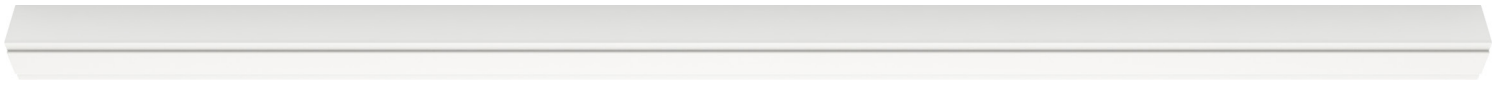
5 year warranty. Assembled in America  ETL (Conforms to UL 2018 and CSA 22.2 #250.0)

PROJECT	FIXTURE TYPE	DATE
---------	--------------	------

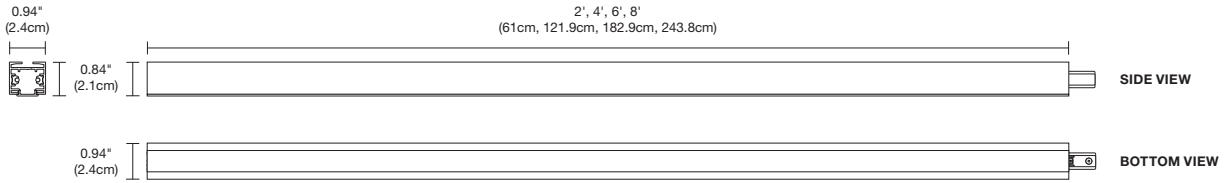
# TS24 TRACK SURFACE

## SINGLE CIRCUIT, 24VDC

REV 05.03.22



SINGLE CIRCUIT SURFACE 24VDC TRACK



### SINGLE CIRCUIT TRACK

Made of extruded Aluminum Channel, #10 Gauge Round Copper Bus Bar to help eliminate voltage drop and is designed for use with 24VDC Remote Power Supply, sold separately. Includes Opaque Covers for Track Slot, two End Caps, Anchors, and Screws.

System	Circuit	Length in Feet	Finish
<b>TS24</b>	<b>1C</b>	<b>8FT</b>	<b>WH</b>
TS24 Track Surface Mount 24VDC	1C Single Circuit	2FT 2' 4FT 4' 6FT 6' 8FT 8'	BK Black Powder Coat WH White Powder Coat



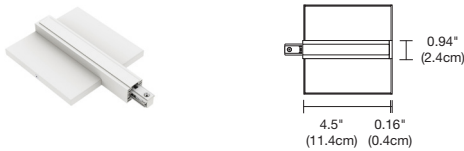
### OPAQUE SLOT COVER (INCLUDED)

Opaque Slot Cover.

System	Type	Length in Feet	Finish
<b>T24</b>	<b>SCO</b>	<b>8FT</b>	<b>WH</b>
T24 Track Recessed 24VDC	SCO Opaque Cover for Track Slot	8FT 8'	BK Black WH White

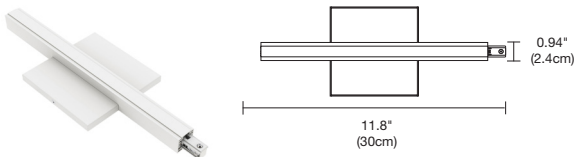
### COMPONENTS Power Feeds

#### END POWER FEED



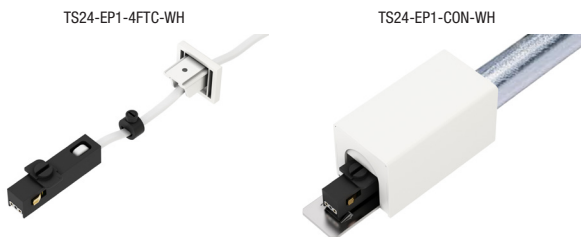
System	Type	Canopy	Power Supply	Finish
<b>TS24</b>	<b>EP1</b>	<b>4SQ</b>	<b>RT</b>	<b>WH</b>
TS24 Track Surface Mount 24VDC	EP1 End Power Feed, Single Circuit, up to 100 Watts	4SQ 4" Square, Standard 2.5" deep Electrical Junction Box for Remote Power Supply	RT 24VDC Remote Power Supply (Not Included)	BK Black Cover WH White Cover

#### CENTER POWER FEED

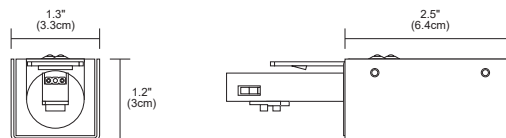


System	Type	Canopy	Power Supply	Finish
<b>TS24</b>	<b>CP1</b>	<b>4SQ</b>	<b>RT</b>	<b>WH</b>
TS24 Track Surface Mount 24VDC	CP1 Center Power Feed, Single Circuit Dual Feed, up to 2x100 Watts CPD Dual Connector, 2x100 Watts	4SQ 4" Square, Standard 2.5" deep Electrical Junction Box for Remote Power Supply	RT 24VDC Remote Power Supply (Not Included)	BK Black Cover WH White Cover

#### CONDUIT FEED

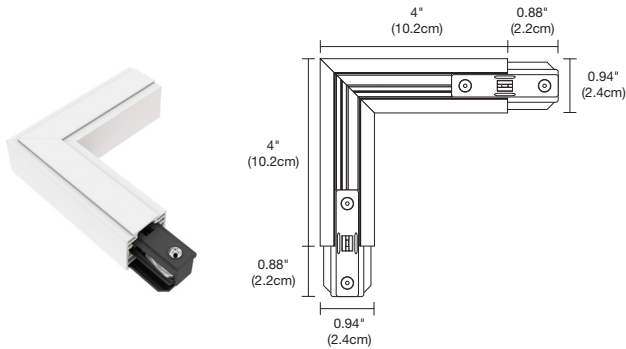


System	Type	Canopy	Finish
<b>TS24</b>	<b>EP1</b>	<b>CON</b>	<b>WH</b>
TS24 Track Surface Mount 24VDC	EP1 End Power Feed, Single Circuit, up to 100 Watts	CON 1/2" Conduit Feed Connector 4FTC 4' #14Ga Plenum Rated Cable	BK Black WH White



PROJECT	FIXTURE TYPE	DATE
---------	--------------	------

**COMPONENTS** Connectors, End Cap, & Mounting Clips



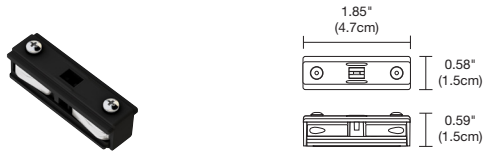
**L-CONNECTOR**

Conductive or Non-Conductive L-Connector joins two straight Track Surface Channels together to make a 90° angle. Order Non-Conductive when adding two Power Supplies in a square configuration.

System	Type	Ceiling Type	Finish
<b>TS24</b>	<b>1C</b>	<b>LC</b>	<b>WH</b>
TS24 Track Surface Mount 24VDC	1C Single Circuit	LC L-Connector Conductive LNC L-Connector Non-Conductive	BK Black with Black Cover WH White with White Cover

**STRAIGHT CONNECTOR**

Miniature Straight Connector joins two Track sections end to end and may be covered by the Plastic Insert.



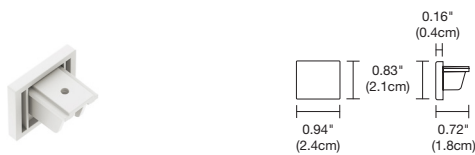
System	Type	Finish
<b>T24</b>	<b>ILSC</b>	<b>WH</b>
T24 Track 24VDC	ILSC Inline Straight Connector Conductive	BK Black WH White

System	Type	Finish
<b>TS24</b>	<b>IJ</b>	<b>WH</b>
TS24 Track 24VDC	IJ Insulated Joiner Non-Conductive	BK Black WH White

**END CAP**

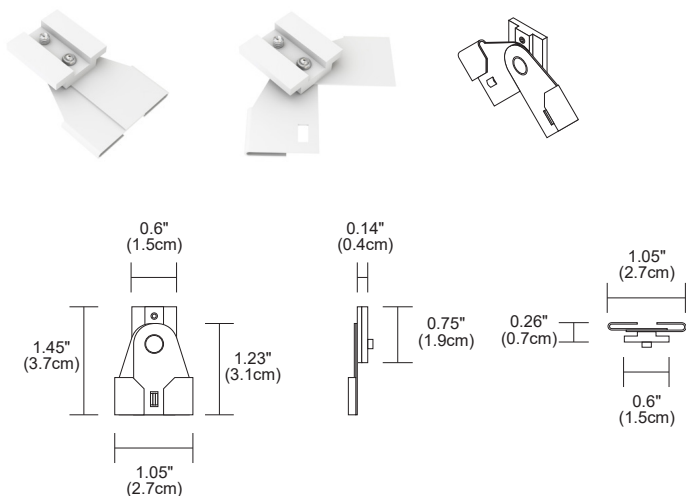
Need to order with each dead end of TS24 Track System.



System	Type	Fixture	Finish
<b>TS24</b>	<b>1C</b>	<b>CA</b>	<b>WH</b>
TS24 Track Surface Mount 24VDC	1C Single Circuit	CA End Cap	BK Black Cover WH White Cover

**TRACK SURFACE T-BAR CEILING MOUNTING CLIP (FOR 1" WIDE T-BAR)**

Order 1 for every 2ft of TS24 Track.



System	Type	Ceiling	Ceiling	Finish
<b>T24</b>	<b>MCL</b>	<b>TB</b>	<b>1</b>	<b>WH</b>
T24 Track 24VDC	MCL Mounting Clip	TB T-Bar	1 1" Wide	BK Black WH White

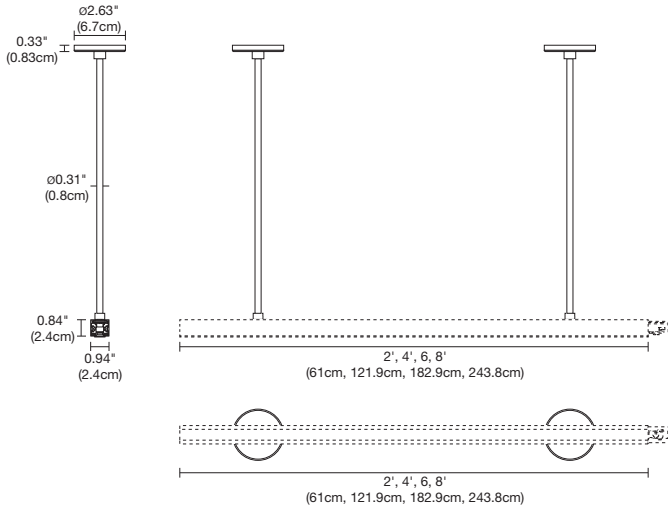
PROJECT	FIXTURE TYPE	DATE
---------	--------------	------

# TS24 TRACK SURFACE

## SINGLE CIRCUIT, 24VDC

REV 05.03.22

### STEM MOUNT Components



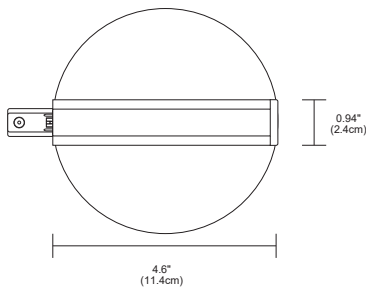
### STEMS WITHOUT POWER

The TS24 Stem Mount allows the TS24 track system to be suspended from a ceiling. Available in sizes from 4" to 48". White Finish Options, 4" Round Canopy or 2" Round canopy. Custom sizes are available upon request.

System	Suspension Type	Canopy	Size	Finish
<b>TS24</b>	<b>STM</b>	<b>2R</b>	<b>36</b>	<b>WH</b>
TS24 Track Surface Mount 24VDC	STM Stem Mount	2R 2" Round Canopy 4R 4" Round Canopy	4 4" 6 6" 12 12" 14 14" 18 18" 24 24" 30 30" 36 36" 48 48"	BK Black WH White

### STEM END FEED WITH POWER

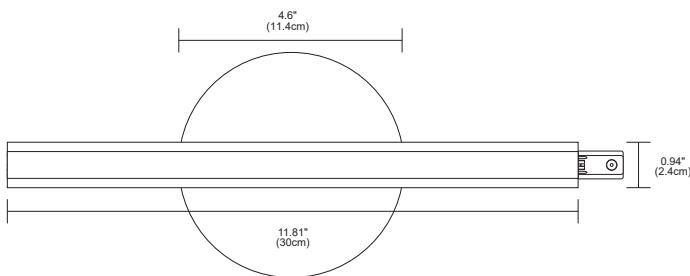
The TS24 End Feed Stem Mount Single Circuit With Power allows the TS24 track to be suspended and powered from a ceiling up to 40' away. Stem lengths available in sizes from 4" to 48", with choice of 4.6" Round canopy that fits on a standard J box or 2.6" Round Canopy for new construction that comes with its own 2" J box and plaster ring. White Finish Options. Custom sizes are available upon request.



System	Type	Suspension Type	Canopy	Size	Finish
<b>TS24</b>	<b>EP1</b>	<b>STM</b>	<b>2R</b>	<b>36</b>	<b>WH</b>
TS24 Track Surface Mount 24VDC	EP1 End Feed Power Single Circuit	STM Stem Mount	2R 2" Round Canopy 4R 4" Round Canopy	4 4" 6 6" 12 12" 14 14" 18 18" 24 24" 30 30" 36 36" 48 48"	BK Black WH White

### STEM CENTER FEED WITH POWER

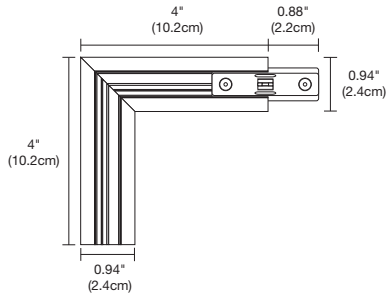
The TS24 Center Feed Stem Mount Single Circuit With Power allows the TS24 track to be suspended and powered from a ceiling up to 40' away, with remote power supply. Stem lengths available in sizes from 4" to 48", with choice of 4.6" Round canopy that fits on a standard J box or 2.6" Round Canopy for new construction that comes with its own 2" J box plaster ring. White Finish Options. Custom sizes are available upon request.



System	Type	Suspension Type	Canopy	Size	Finish
<b>TS24</b>	<b>CP1</b>	<b>STM</b>	<b>2R</b>	<b>36</b>	<b>WH</b>
TS24 Track Surface Mount 24VDC	CP1 Center Feed Power Single Circuit	STM Stem Mount	2R 2" Round Canopy 4R 4" Round Canopy	4 4" 6 6" 12 12" 14 14" 18 18" 24 24" 30 30" 36 36" 48 48"	BK Black WH White

PROJECT	FIXTURE TYPE	DATE
---------	--------------	------

**STEM MOUNT** Components



**STEM L CONNECTOR WITH POWER**

The TS24 Feed Stem Mount Single L Connector Single Circuit With Power allows the TS24 track to be suspended and powered from a ceiling up to 40' away with remote power supply. Stem lengths available in sizes from 4" to 48", with choice of 4.6" Round canopy that fits on a standard J box or 2.6" Round Canopy for new construction that comes with its own 2" J box plaster ring. White Finish Options. Custom sizes are available upon request.

System	Type	Suspension Type	Canopy	Size	Finish
<b>TS24</b>	<b>LP1</b>	<b>STM</b>	<b>2R</b>	<b>36</b>	<b>WH</b>
TS24 Track Surface Mount 24VDC	LP1 L Connector Single Circuit Power Feed L1 L Connector	STM Stem Mount	2R 2" Round Canopy 4R 4" Round Canopy	4 4" 6 6" 12 12" 14 14" 18 18" 24 24" 30 30" 36 36" 48 48"	BK Black WH White

PROJECT		FIXTURE TYPE		DATE	
---------	--	--------------	--	------	--

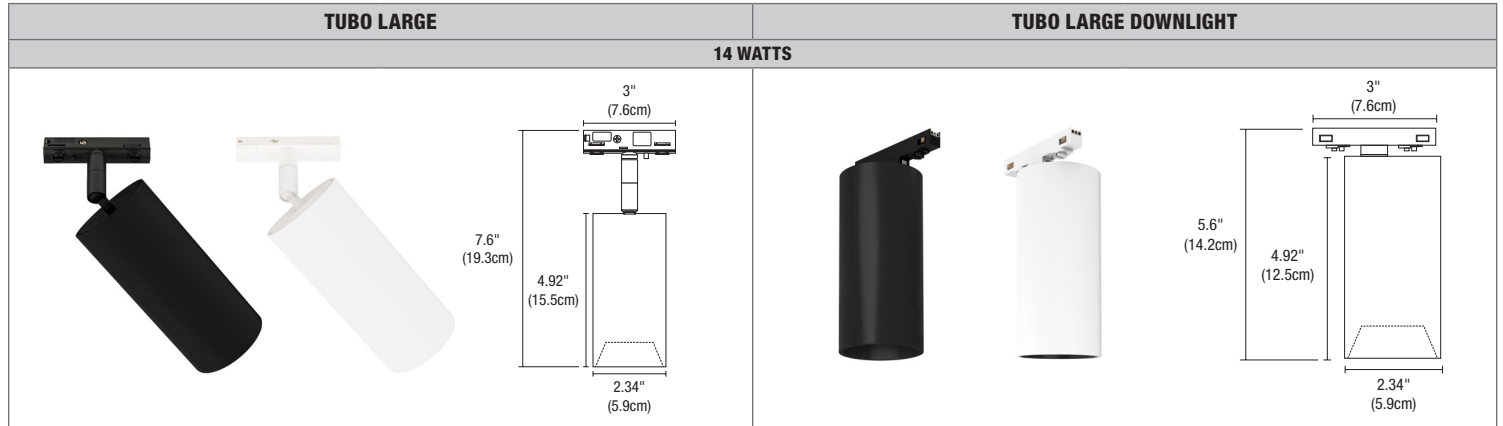
# T24 TRACK HEADS

24VDC WITH INTEGRATED LED, STATIC WHITE & WARM DIM TECHNOLOGY

REV 06.24.22

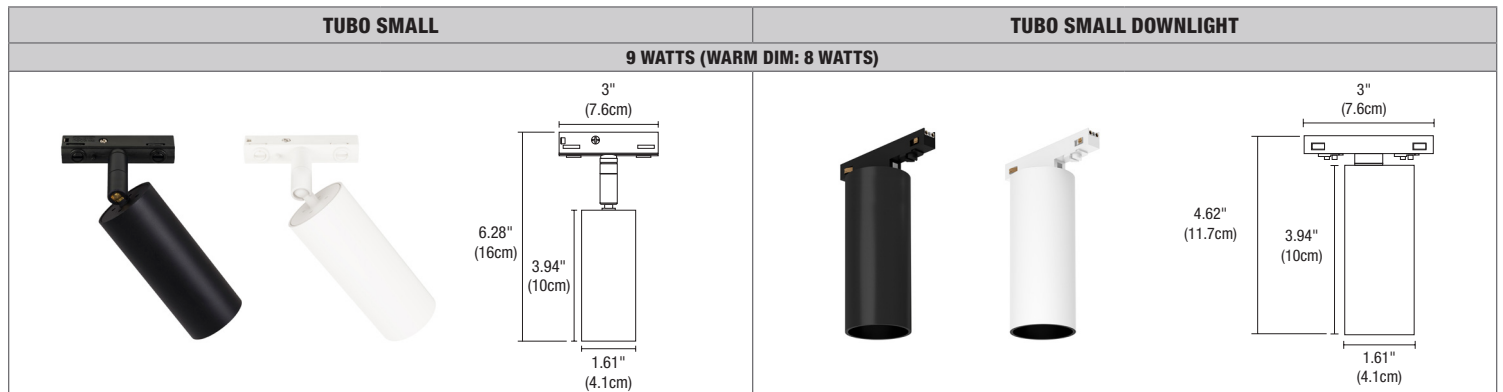
PureEdge T24 Track Heads are Compatible with TruTrack® (TR24) Pipeline Systems including Modular Suspension, Pipeline Track Suspensions and Pipeline Stem Mount Wall/Display (P1SDM, PT, PSTU2CR, PSTU2CR) and Surface Mount track (TS24).

All uniform beam spread options are field changeable. See accessories page for more information.



System	Fixture	Beam Spread	Color Temperature	Finish
<b>T24</b>	<b>TUBL</b>	<b>FL</b>	<b>30K</b>	<b>WH</b>
T24 24V Track System	TUBL Tubo Large TUBLD Tubo Large Downlight	NS Narrow Spot 10° SP Spot 20° NF Narrow Flood 35° FL Flood 45° VW Very Wide Flood 75°	24K 2400K Very Warm White 27K 2700K Incandescent White 30D 3000D Warm Dim* 30K 3000K Warm White 35K 3500K Neutral White	BK Black Powder Coat WH White Powder Coat
		For 7° use STB16-BK snoot with NS	*Not available in VW 30D NS: 7.5W, 400 lumens	

BEAM ANGLE REFERENCE 45°					
COLOR TEMPERATURE	24K	27K	30K	30D	35K
TOTAL LUMENS	1238	1035	1069	683	1268
WATTS	14	14	14	14	14
LUMENS PER WATT (lm/w)	88	74	76	49	91
CRI	97	92	91	97	98
TM-30 DATA	R9: 60 Rf: 93 Rg: 98	R9: 97 Rf: 92 Rg: 100	R9: 64 Rf: 91 Rg: 98	R9: 90 Rf: 95 Rg: 102	R9: 92 Rf: 94 Rg: 101



System	Fixture	Beam Spread	Color Temperature	Finish
<b>T24</b>	<b>TUBS</b>	<b>FL</b>	<b>30K</b>	<b>WH</b>
T24 24V Track System	TUBS Tubo Small TUBSD Tubo Small Downlight	NS Narrow Spot 15° SP Spot 25° NF Narrow Flood 35° FL Flood 45° VW Very Wide Flood 75°	24K 2400K Very Warm White 27K 2700K Incandescent White 30D 3000D Warm Dim 30K 3000K Warm White 35K 3500K Neutral White	BK Black Powder Coat WH White Powder Coat
		For 7° use STB16-BK snoot with NS		

BEAM ANGLE REFERENCE 45°					
COLOR TEMPERATURE	24K	27K	30K	30D	35K
TOTAL LUMENS	503	420	434	287	515
WATTS	9	9	9	8	9
LUMENS PER WATT (lm/w)	59	49	51	39	61
CRI	97	92	93	94	98
TM-30 DATA	R9: 60 Rf: 93 Rg: 98	R9: 97 Rf: 92 Rg: 100	R9: 64 Rf: 91 Rg: 98	R9: 90 Rf: 95 Rg: 102	R9: 92 Rf: 94 Rg: 101

All track heads with the exception of Tubo Wall Wash and Zoom are JAB listed with universal power supplies in 27K> CCT. Click the link to access our full Title 24 compliance listings: [pureedgelighting.com/resources](http://pureedgelighting.com/resources)

PROJECT	FIXTURE TYPE	DATE
---------	--------------	------



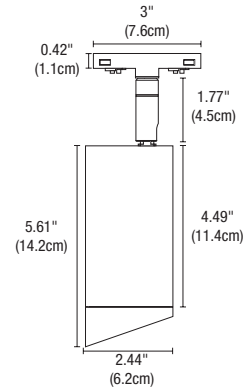
# T24 TRACK HEADS

24VDC WITH INTEGRATED LED, STATIC WHITE & WARM DIM TECHNOLOGY

REV 06.24.22

## TUBO LARGE WALL WASH

15 WATTS



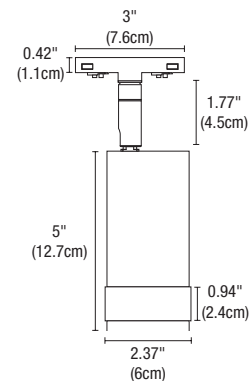
System: **T24** - Fixture: **TUBL** - Beam Spread: **WW** - Color Temperature: **30K** - Finish: **BK**

**T24** Track Head 24V    **TUBL** Tubo Large    **WW** Wall Wash    **24K** 2400K Very Warm White  
**27K** 2700K Incandescent White  
**30K** 3000K Warm White  
**30D** 3000K Warm Dim to 1800K  
**35K** 3500K Neutral White    **BK** Black Powder Coat  
**WH** White Powder Coat

TUBO WALL WASH	
COLOR TEMPERATURE	30K
TOTAL LUMENS	884
WATTS	15
LUMENS PER WATT (lm/w)	59
CRI	92
TM-30 DATA	R9: 61 Rf: 92 Rg: 100

## ZOOM

16 WATTS



System: **T24** - Fixture: **ZOOM** - Beam Spread: **Z2** - Color Temperature: **30K** - Finish: **BK**

**T24** Track Head 24V Connector    **ZOOM** Zoom    **Z1** Zoom Adjust 15° to 55°  
**Z2** Zoom Adjust 20° to 50°    **24K** 2400K Very Warm White  
**27K** 2700K Incandescent White  
**30K** 3000K Warm White  
**30D** 3000K Warm Dim to 1800K\*  
**35K** 3500K Neutral White    **BK** Black Powder Coat  
**WH** White Powder Coat

\*Only available for Z2

	Z1		Z2		Z2	
BEAM ANGLE	15°	55°	20°	50°	20°	50°
COLOR TEMPERATURE	30K	30K	30K	30K	30D	30D
TOTAL LUMENS	686	873	795	1188	727	879
WATTS	16	16	16	16	15	15
LUMENS PER WATT (lm/w)	46	61	69	89	50	61
CRI	93	93	94	94	97	97
TM-30 DATA	R9: 66 Rf: 92 Rg: 101	R9: 66 Rf: 92 Rg: 101	R9: 74 Rf: 92 Rg: 102	R9: 74 Rf: 92 Rg: 102	R9: 66 Rf: 94 Rg: 101	R9: 66 Rf: 94 Rg: 101

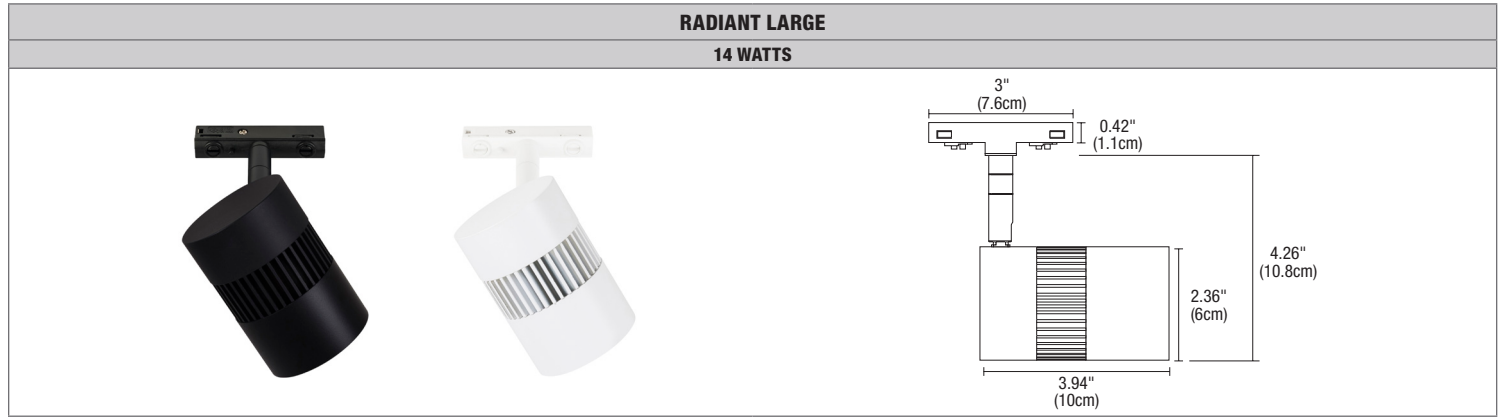
PROJECT	FIXTURE TYPE	DATE
---------	--------------	------

# T24 TRACK HEADS

24VDC WITH INTEGRATED LED, STATIC WHITE & WARM DIM TECHNOLOGY

REV 06.24.22

All uniform beam spread options are field changeable, see accessories page.



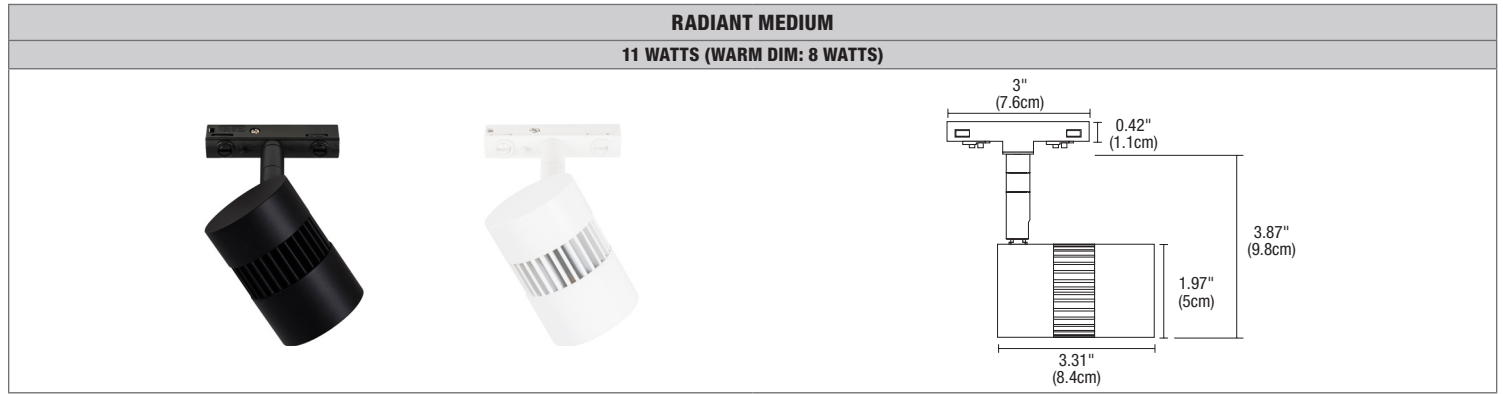
System: **T24** (T24 24V Track System) | Fixture: **RADL** (Radiant Large) | Beam Spread: **FL** | Color Temperature: **30K** | Finish: **WH** (White Powder Coat)

**NS** Narrow Spot 10°  
**SP** Spot 20°  
**NF** Narrow Flood 35°  
**FL** Flood 45°  
**WF** Wide Flood 60°  
 Warm Dim: **NS** (15°), **SP** (25°)

**24K** 2400K Very Warm White  
**27K** 2700K Incandescent White  
**30K** 3000K Warm White  
**30D** 3000D Warm Dim\*  
**35K** 3500K Neutral White  
 \*Not available in NF

**BK** Black Powder Coat  
**WH** White Powder Coat

BEAM ANGLE REFERENCE 45°					
COLOR TEMPERATURE	24K	27K	30K	30D	35K
TOTAL LUMENS	1389	1161	1199	838	1422
WATTS	14	14	14	14	14
LUMENS PER WATT (lm/w)	99	83	86	58	102
CRI	97	92	93	97	98
TM-30 DATA	R9: 60 Rf: 93 Rg: 98	R9: 97 Rf: 92 Rg: 100	R9: 64 Rf: 91 Rg: 98	R9: 90 Rf: 95 Rg: 102	R9: 92 Rf: 94 Rg: 101



System: **T24** (T24 24V Track System) | Fixture: **RADM** (Radiant Medium) | Beam Spread: **FL** | Color Temperature: **30K** | Finish: **WH** (White Powder Coat)

**SP** Spot 20°  
**NF** Narrow Flood 35°  
**FL** Flood 45°  
**WF** Wide Flood 60°

**24K** 2400K Very Warm White  
**27K** 2700K Incandescent White  
**30K** 3000K Warm White  
**30D** 3000D Warm Dim  
**35K** 3500K Neutral White

**BK** Black Powder Coat  
**WH** White Powder Coat

BEAM ANGLE REFERENCE 45°					
COLOR TEMPERATURE	24K	27K	30K	30D	35K
TOTAL LUMENS	765	639	660	360	783
WATTS	11	11	11	7.7	11
LUMENS PER WATT (lm/w)	70	58	64	47	76
CRI	97	92	93	93	98
TM-30 DATA	R9: 97 Rf: 92 Rg: 100	R9: 64 Rf: 91 Rg: 98	R9: 90 Rf: 95 Rg: 102	R9: 92 Rf: 94 Rg: 101	R9: 92 Rf: 94 Rg: 101

<b>MATERIAL</b>	Extruded Aluminum	<b>FREQUENCY</b>	50/60HZ	<b>APPLICATION</b>	Suitable for damp or dry locations. Indoor use only.	<b>COMPLIANCE LABEL</b>	ETL to UL 2108 Standard
<b>INPUT VOLTAGE</b>	24VDC	<b>POWER FACTOR</b>	> 0.90	<b>DIMMING &amp; FLICKER</b>	0-10V dimming Flicker less than 2%	<b>LED LAMP LIFE</b>	60,000 Hours

All track heads with the exception of Tubo Wall Wash and Zoom are JAB listed with universal power supplies in 27K CCT. Click the link to access our full Title 24 compliance listings: [pureedgelighting.com/resources](http://pureedgelighting.com/resources)

PROJECT		FIXTURE TYPE		DATE	
---------	--	--------------	--	------	--



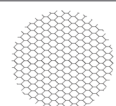






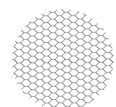


# T24 TRACK HEADS, 2 CIRCUIT MAGNETIC



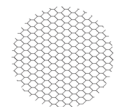


24VDC WITH INTEGRATED LED, STATIC WHITE & WARM DIM TECHNOLOGY


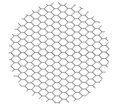


## Additional Lenses and Accessories

REV 06.24.22

TUBO LARGE LENS		SNOOT		LOUVER	FOCUS LENS	LINEAR SPREAD FILM	
							
<b>ORDERING CODE</b>	<b>STATIC WHITE</b> LEN-TUBL-NS-SW LEN-TUBL-SP-SW LEN-TUBL-NF-SW LEN-TUBL-FL-SW LEN-TUBL-VW-SW	<b>WARM DIM</b> LEN-TUBL-NS-WD LEN-TUBL-SP-WD LEN-TUBL-NF-WD LEN-TUBL-FL-WD	<b>STB16-BK</b> <b>STB16-WH (WHITE SHELL)</b>	<b>ST16-BK</b> <b>ST16-WH</b>	<b>L016-H</b>	<b>LF-TUBL-SF (SOFT FOCUS),</b> <b>MF (MEDIUM FOCUS),</b> <b>WF (WIDE FOCUS)</b>	<b>LF-TUBL-LS</b>
<b>LENS SIZE</b>	2" (50mm) Diameter						
<b>BEAM SPREADS</b>	<b>NS (10°), SP (20°), NF (35°)</b> <b>FL (45°), VW (75°)</b>		Conical snoot creates a 7° Beam spread and is designed to reduce spill and control glare. Spun aluminum.	Snoot is designed to reduce spill and control glare. Spun aluminum.	Hexcell louver eliminates glare. 0.125" Thickness.	Soft focus lens is included with every track head. Diffuses the beam, providing uniform illumination.	Linear spread film: directs the light into an elongated beam. Typical applications using 10°, 15°, 25° include illuminating landscape oriented art. 35°, 40°, 60° create an elongated oval typically used for wall washing.

TUBO SMALL LENS		SNOOT		LOUVER	FOCUS LENS	LINEAR SPREAD FILM
						
<b>ORDERING CODE</b>	<b>STATIC WHITE</b> LEN-TUBS-NS-SW LEN-TUBS-SP-SW LEN-TUBS-NF-SW LEN-TUBS-FL-SW LEN-TUBS-VW-SW	<b>WARM DIM</b> LEN-TUBS-NS-WD LEN-TUBS-SP-WD LEN-TUBS-NF-WD LEN-TUBS-FL-WD LEN-TUBS-VW-WD	<b>TUBS-ST-BK</b> <b>TUBS-ST-WH (WHITE SHELL)</b>	<b>L011-H</b>	<b>LF-TUBS-SF (SOFT FOCUS),</b> <b>MF (MEDIUM FOCUS),</b> <b>WF (WHITE FOCUS)</b>	<b>LF-TUBS-LS</b>
<b>LENS SIZE</b>	1.37" (35mm) Diameter					
<b>BEAM SPREADS</b>	<b>NS (15°), SP (25°), NF (35°),</b> <b>FL (45°), VW (75°)</b>		Conical snoot creates a 7° Beam spread and is designed to reduce spill and control glare. Spun aluminum.	Hexcell louver eliminates glare. 0.125" Thickness.	Soft focus lens is included with every track head. Diffuses the beam, providing uniform illumination.	Linear spread film: directs the light into an elongated beam. Typical applications using 10°, 15°, 25° include illuminating landscape oriented art. 35°, 40°, 60° create an elongated oval typically used for wall washing.

RADIANT LARGE LENS		SNOOT		LOUVER	FOCUS LENS	LINEAR SPREAD FILM
						
<b>ORDERING CODE</b>	<b>STATIC WHITE</b> LEN-RADL-NS-SW LEN-RADL-SP-SW LEN-RADL-NF-SW LEN-RADL-FL-SW LEN-RADL-WF-SW	<b>WARM DIM</b> LEN-RADL-NS-WD LEN-RADL-SP-WD LEN-RADL-FL-WD LEN-RADL-WF-WD	<b>STB16-BK</b> <b>STB16-WH (WHITE SHELL)</b>	<b>L016-H</b>	<b>LF-RADL-SF (SOFT FOCUS),</b> <b>MF (MEDIUM FOCUS),</b> <b>WF (WIDE FOCUS)</b>	<b>LF-RADL-LS</b>
<b>LENS SIZE</b>	2" (50mm) Diameter					
<b>BEAM SPREADS</b>	<b>NS (10°), SP (20°),</b> <b>NF (35°), FL (45°),</b> <b>WF (60°)</b>	<b>NS (15°), SP (25°),</b> <b>FL (45°), WF (60°)</b>	Conical snoot creates a 7° Beam spread and is designed to reduce spill and control glare. Spun aluminum.	Hexcell louver eliminates glare. 0.125" Thickness.	Soft focus lens is included with every track head. Diffuses the beam, providing uniform illumination.	Linear spread film: directs the light into an elongated beam. Typical applications using 10°, 15°, 25° include illuminating landscape oriented art. 35°, 40°, 60° create an elongated oval typically used for wall washing.

RADIANT MEDIUM LENS		LOUVER	FOCUS LENS	LINEAR SPREAD FILM	
					
<b>ORDERING CODE</b>	<b>STATIC WHITE</b> LEN-RADM-SP-SW LEN-RADM-NF-SW LEN-RADM-FL-SW LEN-RADM-WF-SW	<b>WARM DIM</b> LEN-RADM-SP-WD LEN-RADM-NF-WD LEN-RADM-FL-WD LEN-RADM-WF-WD	<b>L011-H</b>	<b>LF-RADM-SF (SOFT FOCUS)</b> <b>MF (MEDIUM FOCUS), WF (WIDE FOCUS)</b>	<b>LF-RADM-LS</b>
<b>LENS SIZE</b>	1.37" (35mm) Diameter				
<b>BEAM SPREADS</b>	<b>SP (20°), NF (35°), FL (45°), WF (60°)</b>		MR16 Hexcell louver accessory eliminates glare. 2" Diameter x .125" Thick. Hexcell louver eliminates glare. 0.125" Thickness.	Soft focus lens is included with every track head. Diffuses the beam, providing uniform illumination.	Linear spread film: directs the light into an elongated beam. Typical applications using 10°, 15°, 25° include illuminating landscape oriented art. 35°, 40°, 60° create an elongated oval typically used for wall washing.

PROJECT		FIXTURE TYPE		DATE	
---------	--	--------------	--	------	--

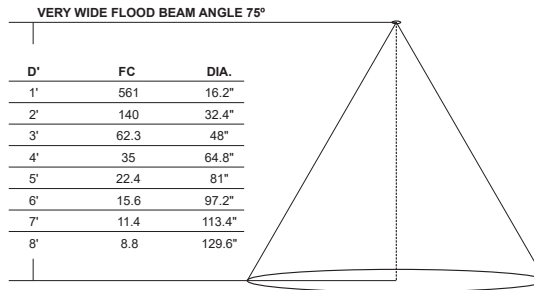
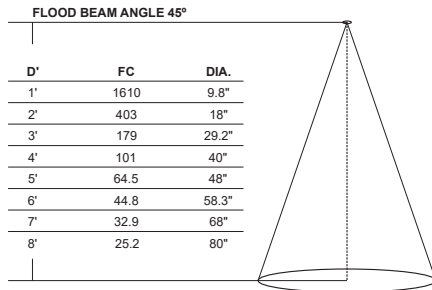
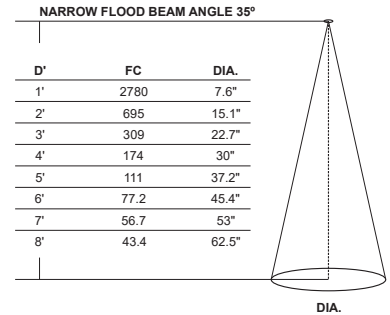
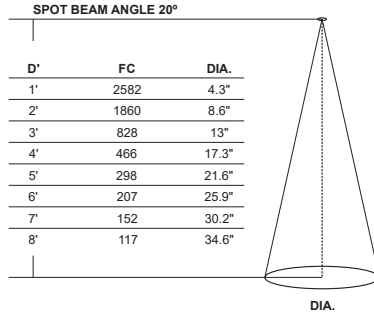
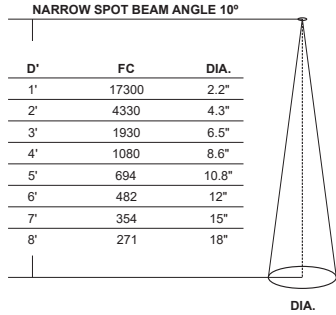
# T24 TRACK HEADS, 2 CIRCUIT MAGNETIC

24VDC WITH INTEGRATED LED, STATIC WHITE & WARM DIM TECHNOLOGY

REV 06.24.22

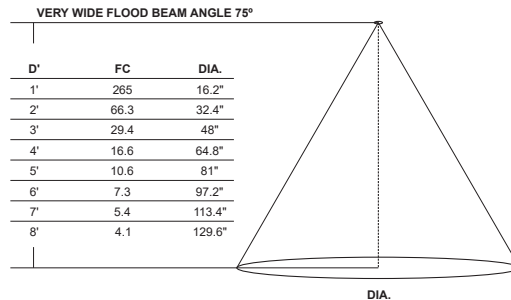
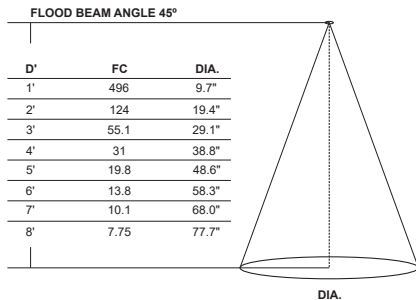
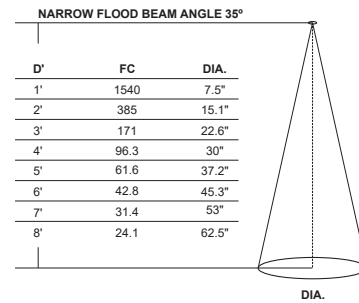
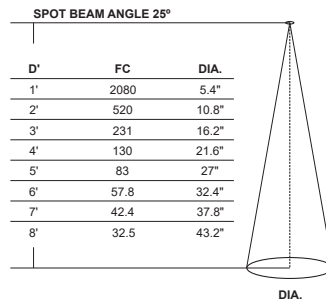
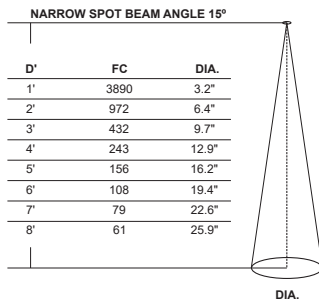
## TUBO LARGE Photometric Data at 3000K

**D** - Distance from fixture  
**FC** - Initial foot candles at the center of beam  
**DIA** - Diameter



## TUBO SMALL Photometric Data at 3000K

**D** - Distance from fixture  
**FC** - Initial foot candles at the center of beam  
**DIA** - Diameter



PROJECT	FIXTURE TYPE	DATE
---------	--------------	------

# T24 TRACK HEADS, 2 CIRCUIT MAGNETIC

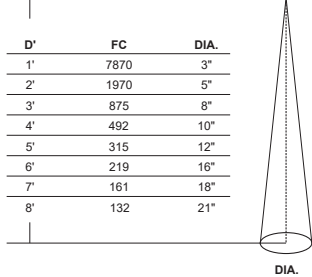
24VDC WITH INTEGRATED LED, STATIC WHITE & WARM DIM TECHNOLOGY

REV 06.24.22

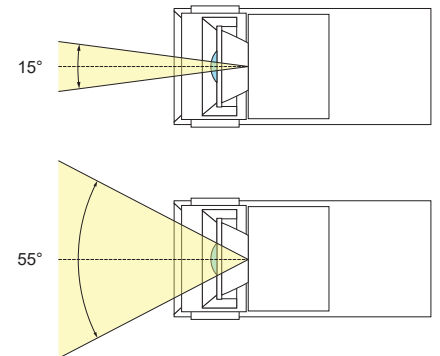
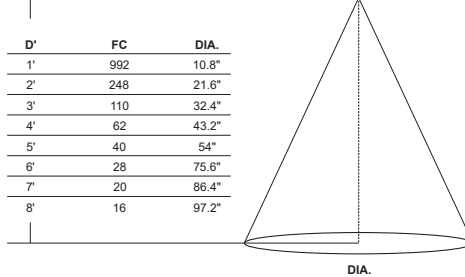
## ZOOM Z1 Photometric Data at 3000K

**D** - Distance from fixture  
**FC** - Initial foot candles at the center of beam  
**DIA** - Diameter

15° BEAM ANGLE



55° BEAM ANGLE

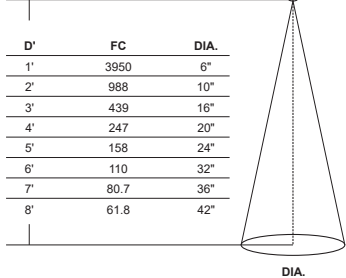


Z1: Adjustable between 15° and 55°

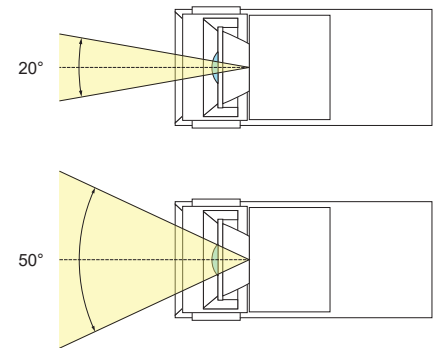
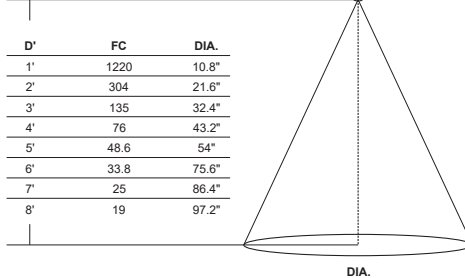
## ZOOM Z2 Photometric Data at 3000K

**D** - Distance from fixture  
**FC** - Initial foot candles at the center of beam  
**DIA** - Diameter

20° BEAM ANGLE



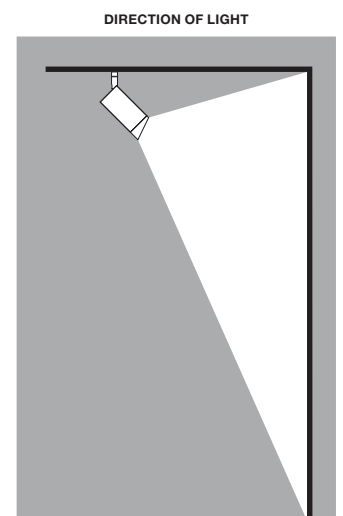
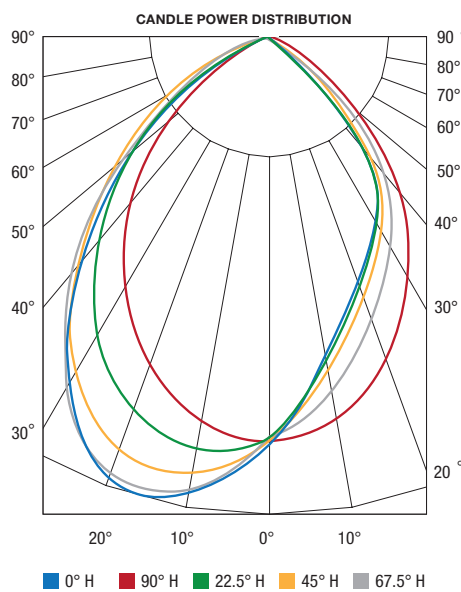
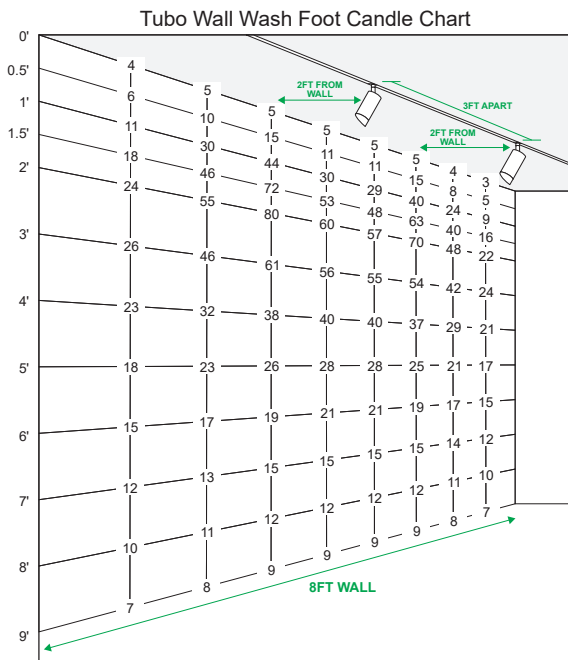
50° BEAM ANGLE



Z2: Adjustable between 20° and 50°

## TUBO WALL WASH Photometric Data at 3000K

**D** - Distance from fixture  
**FC** - Initial foot candles at the center of beam  
**DIA** - Diameter



PROJECT	FIXTURE TYPE	DATE
---------	--------------	------

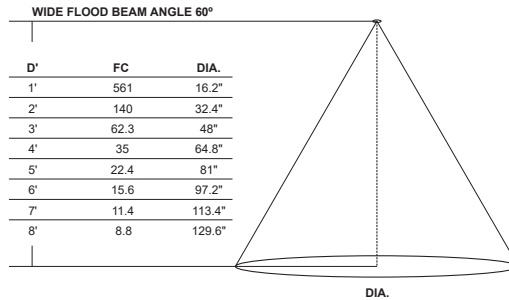
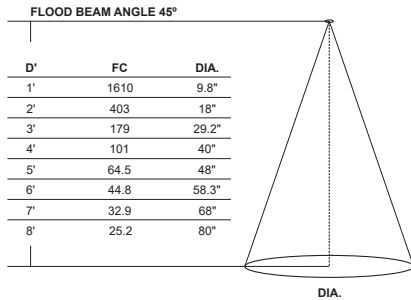
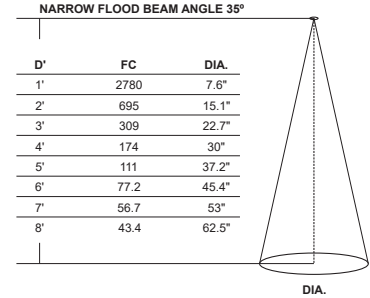
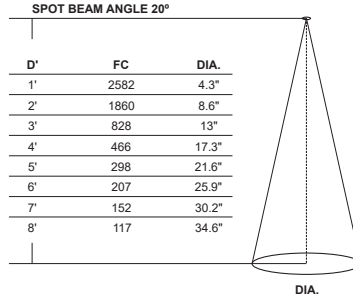
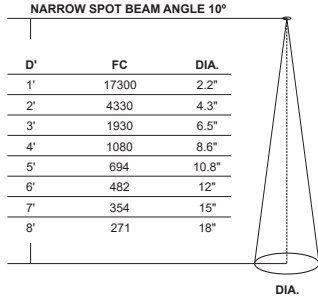
# T24 TRACK HEADS, 2 CIRCUIT MAGNETIC

24VDC WITH INTEGRATED LED, STATIC WHITE & WARM DIM TECHNOLOGY

REV 06.24.22

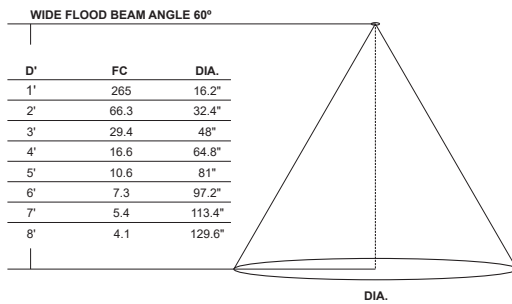
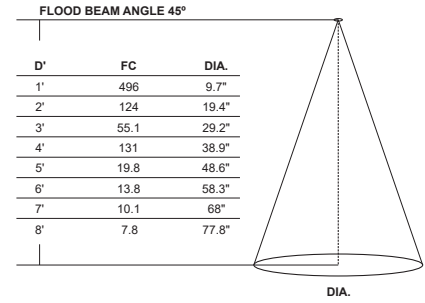
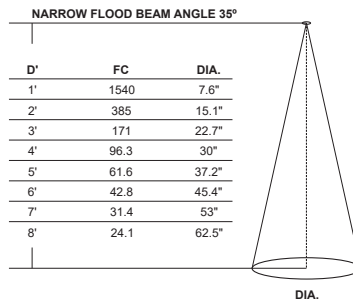
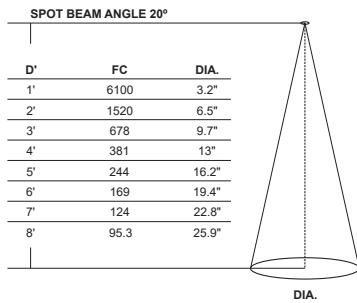
## RADIANT LARGE Photometric Data at 3000K

**D** - Distance from fixture  
**FC** - Initial foot candles at the center of beam  
**DIA** - Diameter



## RADIANT MEDIUM Photometric Data at 3000K

**D** - Distance from fixture  
**FC** - Initial foot candles at the center of beam  
**DIA** - Diameter



PROJECT	FIXTURE TYPE	DATE
---------	--------------	------

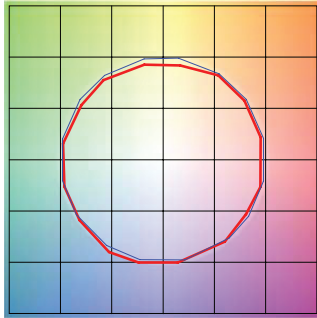
# TM30 DATA

24VDC WITH INTEGRATED LED, STATIC WHITE & WARM DIM TECHNOLOGY

**TM-30-15 DATA:** Consistent color temperatures among multiple track heads is possible through a 3 phase binning process in which each order is inspected with a color meter to ensure uniformity.

**2400K** | Rf: 91.2 | Rg: 96.8

Color Vector Graphic

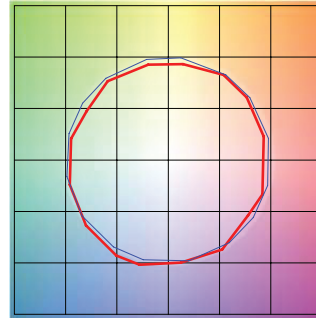


■ Test ■ Reference

HUE BIN	Rf	GRAPHIC SHIFTS %	
		CHROMA	HUE
1	92.0	-2.4%	1.5%
2	94.7	-2.1%	0.0%
3	95.4	-1.9%	-0.1%
4	88.7	-6.7%	-3.1%
5	92.8	-5.6%	1.0%
6	92.7	-3.4%	3.4%
7	89.9	-4.3%	4.1%
8	92.4	-1.4%	4.4%
9	89.0	-0.6%	5.8%
10	88.9	0.4%	6.2%
11	89.7	4.0%	5.4%
12	92.6	3.0%	-0.7%
13	90.9	1.1%	-7.0%
14	89.9	0.5%	-5.8%
15	92.1	-3.2%	0.1%
16	88.9	-1.7%	-6.3%

**2700K** | Rf: 87.7 | Rg: 96.1

Color Vector Graphic

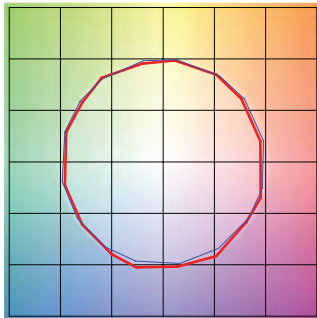


■ Test ■ Reference

HUE BIN	Rf	GRAPHIC SHIFTS %	
		CHROMA	HUE
1	88.0	-4.3%	2.6%
2	91.6	-2.4%	2.0%
3	93.7	-1.4%	1.9%
4	88.9	-5.6%	-3.1%
5	92.3	-5.5%	-0.5%
6	92.9	-3.5%	0.1%
7	84.5	-7.5%	4.6%
8	90.8	-3.0%	4.4%
9	84.5	-1.3%	8.3%
10	83.9	2.0%	9.8%
11	87.2	5.3%	7.1%
12	89.2	5.4%	-2.6%
13	88.7	0.3%	-7.8%
14	86.8	1.7%	-9.3%
15	87.6	-5.4%	-1.3%
16	83.6	-3.3%	-9.5%

**3000K** | Rf: 88.1 | Rg: 99.7

Color Vector Graphic

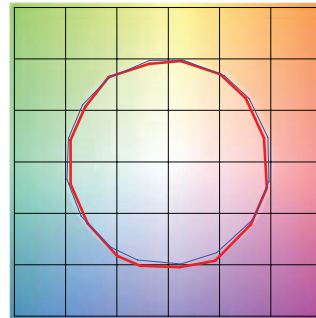


■ Test ■ Reference

HUE BIN	Rf	GRAPHIC SHIFTS %	
		CHROMA	HUE
1	92.5	-3.1%	0.3%
2	93.3	-2.3%	1.9%
3	90.9	-0.8%	3.9%
4	94.3	-1.1%	1.4%
5	92.5	-2.6%	1.5%
6	96.4	1.2%	-0.3%
7	92.6	-2.5%	-0.0%
8	96.9	-1.4%	0.2%
9	92.3	-1.8%	4.3%
10	86.6	-0.7%	7.0%
11	86.5	2.4%	8.2%
12	89.8	5.9%	1.7%
13	93.9	2.6%	-2.7%
14	89.4	5.1%	-5.8%
15	90.1	-0.1%	-4.7%
16	86.5	0.3%	-9.7%

**3500K** | Rf: 86.1 | Rg: 95.5

Color Vector Graphic

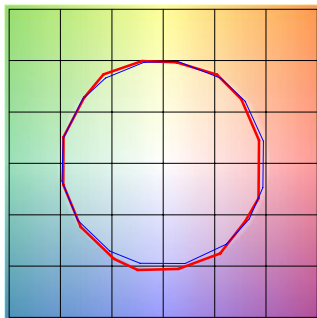


■ Test ■ Reference

HUE BIN	Rf	GRAPHIC SHIFTS %	
		CHROMA	HUE
1	90.8	-3.8%	0.3%
2	92.3	-2.8%	2.1%
3	89.7	-1.0%	4.3%
4	92.6	-1.4%	1.7%
5	91.8	-3.1%	1.3%
6	96.2	0.8%	-0.4%
7	92.9	-3.2%	0.2%
8	94.3	-2.5%	1.5%
9	90.4	-2.5%	5.2%
10	84.3	-1.4%	9.5%
11	83.1	3.5%	9.8%
12	88.2	4.8%	3.4%
13	94.0	2.7%	-2.0%
14	88.7	5.9%	-5.8%
15	88.7	0.7%	-5.9%
16	86.8	-0.7%	-6.7%

**3000D** | Rf: 89.8 | Rg: 101.4

Color Vector Graphic



■ Test ■ Reference

HUE BIN	Rf	GRAPHIC SHIFTS %	
		CHROMA	HUE
1	90.2	-4.2%	1.5%
2	90.9	-2.0%	3.7%
3	87.9	0.8%	5.5%
4	92.1	-0.9%	0.6%
5	93.0	1.5%	1.6%
6	92.2	3.9%	-0.2%
7	92.1	-0.3%	-2.0%
8	96.7	0.0%	-1.2%
9	92.5	-0.6%	3.7%
10	88.3	1.1%	7.0%
11	87.2	4.1%	7.4%
12	87.2	6.7%	-1.0%
13	88.2	3.8%	-7.2%
14	85.3	4.3%	-9.9%
15	90.9	-2.2%	-3.6%
16	83.4	-2.2%	-11.2%

PROJECT	FIXTURE TYPE	DATE
---------	--------------	------