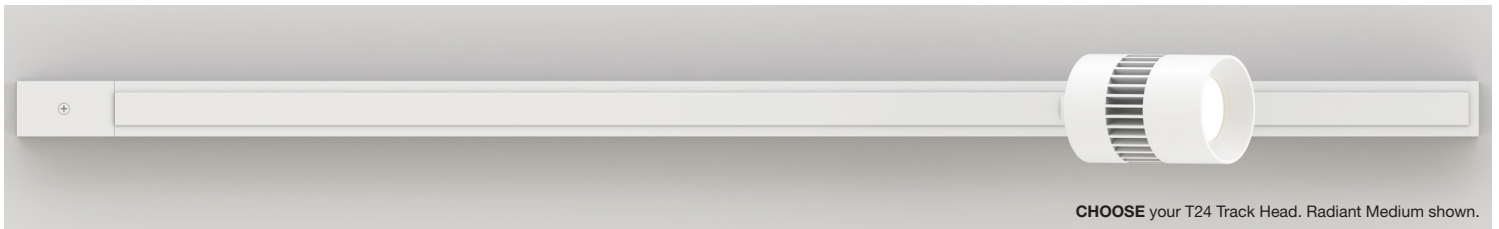


# TS24 TRACK SURFACE

SINGLE CIRCUIT, 24VDC **LIMITED QUANTITIES, CALL FOR AVAILABILITY**



CHOOSE your T24 Track Head. Radiant Medium shown.



## DESCRIPTION

The TS24 Track Surface Mount is designed with a 24VDC remote power supply and minimal track heads giving it a refined appearance. The Single Circuit Track comes with a plastic slot cover that hides the #10 AWG copper conductor allowing the system to blend into the ceiling. Offered in various lengths and can be cut in the field. The T24 Track Heads offer the latest in LED technology including Warm Dim.

## FEATURES

- Designed for use with 24VDC Universal Remote Power Supplies up to 40' away
- Remote Power Supply, and minimal Track Heads create a refined architectural aesthetic
- Track Heads allow you to easily adjust the fixture direction, tilt and rotation with one hand
- Track Heads are available in five color temperatures including Warm Dim (30D) that dims from 3000K down to 1800K
- Track Head Lumen Output up to 1256 Lumens with multiple fixed and adjustable beam spread options
- Designer-grade Color Rendering 95CRI
- Power Feeds may be ordered in End and Center, up to 100 Watts before re-feeding, 200 Watts with Center Feed
- TS24 Track Surface Mount is available in 2', 4', 6' and 8' lengths, with the ability to be cut in the field
- Opaque white cover is included to conceal the track slot
- 10 Gauge busbar helps to eliminate voltage drop

## FINISH & MATERIAL

|   |  |
|---|--|
|  |  |
| <b>BK</b><br>Black Powder<br>Paint  | <b>WH</b><br>Warm White Powder<br>Coat RAL 9010                                      |

- Extruded Aluminum Channel and a pair of #10 Gauge copper busbar conductors

## INTEGRAL LED LAMP

- Warm Dim: 30D (3000K-1800K)
- Standard Dim: 24K, 27K, 30K, & 35K
- 50,000 Hour Lamp Life

## REMOTE POWER SUPPLIES\*, DIMMERS & CONTROLS (SOLD SEPARATELY)

24VDC, Class 2 wiring

- [Uni Trim Power Supply](#) Universal Dimming (TRIAC, ELV, 0-10V) ELV & TRIAC [Smart Dimmer & Switch](#)

## APPLICATIONS

Suitable for damp or dry location. Interior use only

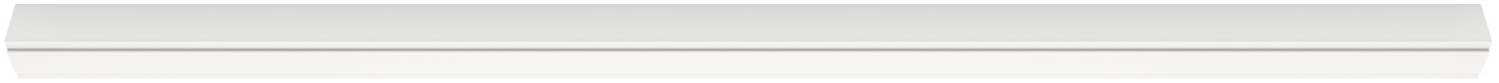
## WARRANTY / LABELS

5 year warranty. Assembled in America  
ETL (Conforms to UL 2018 and CSA 22.2 #250.0)

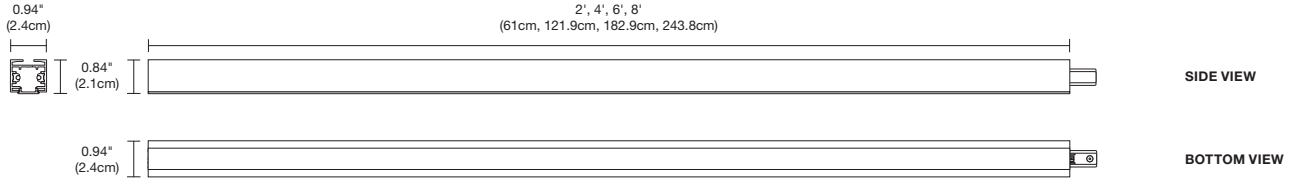
|         |              |      |
|---------|--------------|------|
| PROJECT | FIXTURE TYPE | DATE |
|---------|--------------|------|

# TS24 TRACK SURFACE

## SINGLE CIRCUIT, 24VDC



SINGLE CIRCUIT SURFACE 24VDC TRACK



### SINGLE CIRCUIT TRACK

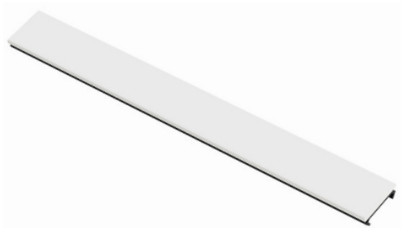
Made of extruded Aluminum Channel, #10 Gauge Round Copper Bus Bar to help eliminate voltage drop and is designed for use with 24VDC Remote Power Supply, sold separately. Includes Opaque Covers for Track Slot, two End Caps, Anchors, and Screws.

| System                         | Circuit           | Length in Feet                       | Finish  |
|--------------------------------|-------------------|--------------------------------------|---|
| <b>TS24</b>                    | <b>1C</b>         | <b>8FT</b>                           | <b>WH</b>   |
| TS24 Track Surface Mount 24VDC | 1C Single Circuit | 2FT 2'<br>4FT 4'<br>6FT 6'<br>8FT 8' | WH Warm White Powder Coat RAL 9010<br>BK Black Powder Paint |

*\*LIMITED QUANTITIES, CALL FOR AVAILABILITY*

### OPAQUE SLOT COVER (INCLUDED)

Included with each Track is a Plastic Slot Cover.

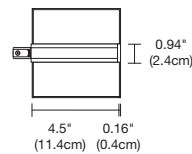


| System                   | Type                            | Length in Feet | Finish   |
|--------------------------|---------------------------------|----------------|--|
| <b>T24</b>               | <b>SCO</b>                      | <b>8FT</b>     | <b>WH</b>                                      |
| T24 Track Recessed 24VDC | SCO Opaque Cover for Track Slot | 8FT 8'         | WH Warm White Powder Coat RAL 9010<br>BK Black |

*\*LIMITED QUANTITIES, CALL FOR AVAILABILITY*

### COMPONENTS Power Feeds

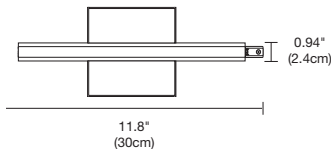
#### END POWER FEED



| System                         | Type  | Canopy  | Power Supply                                | Finish   |
|--------------------------------|---|---|---|--|
| <b>TS24</b>                    | <b>EP1</b>  | <b>4SQ</b>  | <b>RT</b>                                   | <b>WH</b>  |
| TS24 Track Surface Mount 24VDC | EP1 End Power Feed, Single Circuit, up to 100 Watts | 4SQ 4" Square, Standard 2.5" deep Electrical Junction Box for Remote Power Supply | RT 24VDC Remote Power Supply (Not Included) | WH Warm White Powder Coat RAL 9010 Cover<br>BK Black Cover |

*\*LIMITED QUANTITIES, CALL FOR AVAILABILITY*

#### CENTER POWER FEED



| System                         | Type  | Canopy  | Power Supply                                | Finish   |
|--------------------------------|---|---|---|--|
| <b>TS24</b>                    | <b>CP1</b>  | <b>4SQ</b>  | <b>RT</b>                                   | <b>WH</b>  |
| TS24 Track Surface Mount 24VDC | CP1 Center Power Feed, Single Circuit Dual Feed, up to 2x100 Watts<br>CPD Dual Connector, 2x100 Watts | 4SQ 4" Square, Standard 2.5" deep Electrical Junction Box for Remote Power Supply | RT 24VDC Remote Power Supply (Not Included) | WH Warm White Powder Coat RAL 9010 Cover<br>BK Black Cover |

*\*LIMITED QUANTITIES, CALL FOR AVAILABILITY*

#### CONDUIT FEED



TS24-EP1-4FTC-WH



TS24-EP1-COIN-WH

| System                         | Type  | Canopy  | Finish   |
|--------------------------------|---|---|--|
| <b>TS24</b>                    | <b>EP1</b>  | <b>CON</b>  | <b>WH</b>                                      |
| TS24 Track Surface Mount 24VDC | EP1 End Power Feed, Single Circuit, up to 200 Watts | CON 1/2" Conduit Feed Connector<br>4FTC 4' #14Ga Plenum Rated Cable | WH Warm White Powder Coat RAL 9010<br>BK Black |

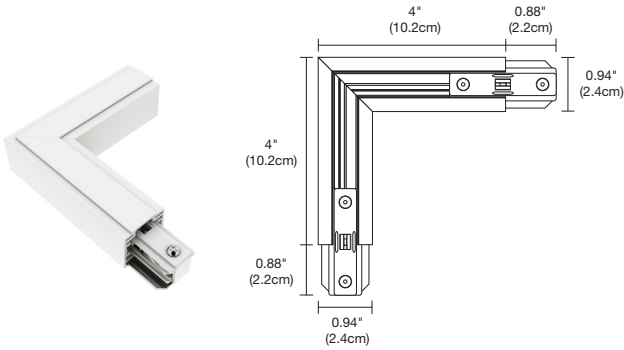
*\*LIMITED QUANTITIES, CALL FOR AVAILABILITY*

|         |              |      |
|---------|--------------|------|
| PROJECT | FIXTURE TYPE | DATE |
|---------|--------------|------|

# TS24 TRACK SURFACE

SINGLE CIRCUIT, 24VDC

## COMPONENTS Connectors, End Cap, & Mounting Clips

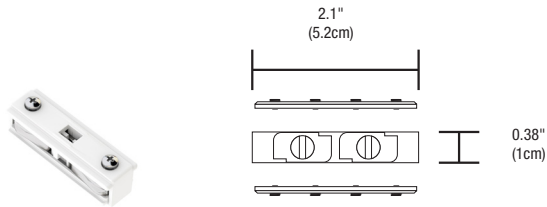


### L-CONNECTOR

Conductive or Non-Conductive L-Connector joins two straight Track Surface Channels together to make a 90° angle. Order Non-Conductive when adding two Power Supplies in a square configuration.

| System                         | Type              | Ceiling Type  | Finish   |
|--------------------------------|-------------------|---|--|
| <b>TS24</b>                    | <b>1C</b>         | <b>LC</b>   | <b>WH</b>  |
| TS24 Track Surface Mount 24VDC | 1C Single Circuit | LC L-Connector Conductive<br>LNC L-Connector Non-Conductive | WH Warm White Powder Coat RAL 9010 with White Cover<br>BK Black with Black Cover |

*\*LIMITED QUANTITIES, CALL FOR AVAILABILITY*

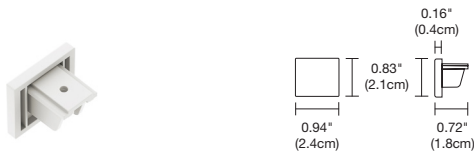


### STRAIGHT CONNECTOR

Miniature Straight Connector joins two Track sections end to end and may be covered by the Plastic Insert.

| System          | Type                                       |
|-----------------|--|
| <b>T24</b>      | <b>ILSC</b>                                |
| T24 Track 24VDC | ILSC In-line Connector Conductive - Joiner |

*\*LIMITED QUANTITIES, CALL FOR AVAILABILITY*

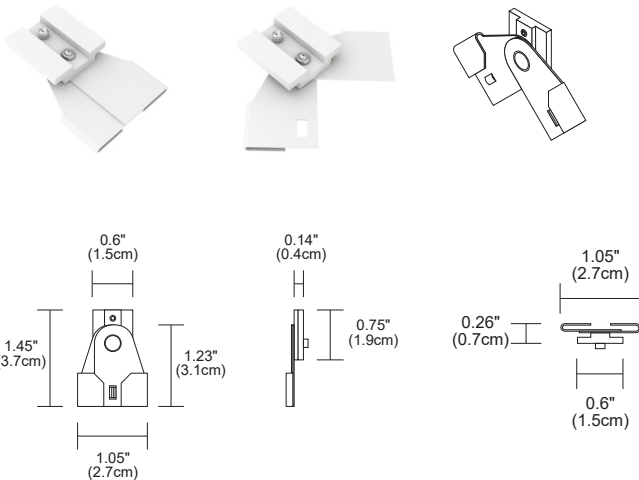


### END CAP

Need to order with each dead end of TS24 Track System.

| System                         | Type              | Fixture    | Finish   |
|--------------------------------|-------------------|------------|--|
| <b>TS24</b>                    | <b>1C</b>         | <b>CA</b>  | <b>WH</b>  |
| TS24 Track Surface Mount 24VDC | 1C Single Circuit | CA End Cap | WH Warm White Powder Coat RAL 9010 Cover<br>BK Black Cover |

*\*LIMITED QUANTITIES, CALL FOR AVAILABILITY*



### TRACK SURFACE T-BAR CEILING MOUNTING CLIP (FOR 1" WIDE T-BAR)

Order 1 for every 2ft of TS24 Track.

| System          | Type              | Ceiling           | Finish   |
|-----------------|-------------------|-------------------|--|
| <b>T24</b>      | <b>MCL</b>        | <b>TB1</b>        | <b>WH</b>                                      |
| T24 Track 24VDC | MCL Mounting Clip | TB1 1" Wide T-Bar | WH Warm White Powder Coat RAL 9010<br>BK Black |

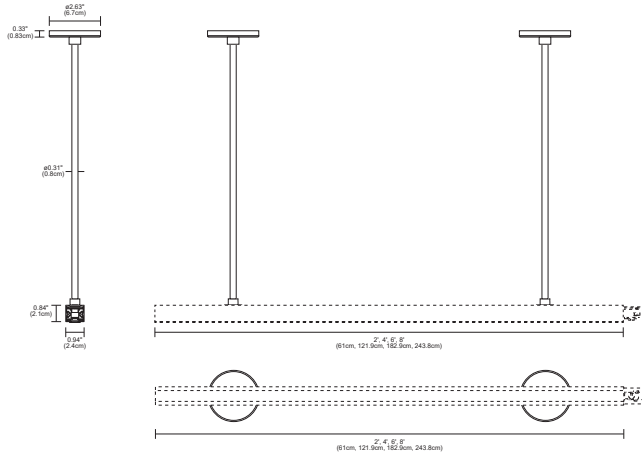
|         |              |      |
|---------|--------------|------|
| PROJECT | FIXTURE TYPE | DATE |
|---------|--------------|------|

# TS24 TRACK SURFACE

SINGLE CIRCUIT, 24VDC

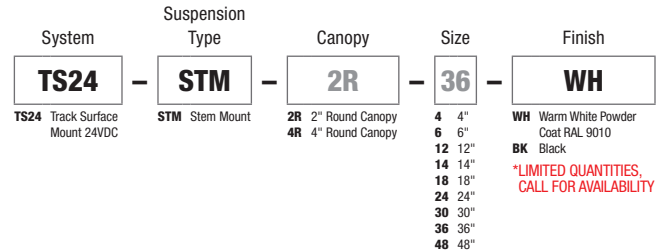
REV 05.08.25

## STEM MOUNT Components



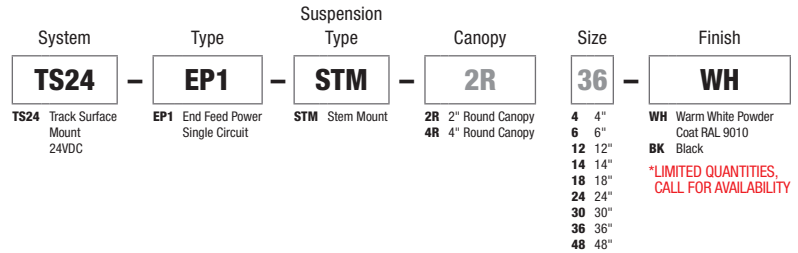
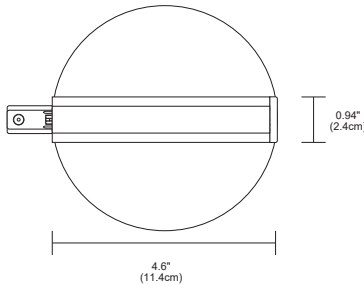
### STEMS WITHOUT POWER

The TS24 Stem Mount allows the TS24 track system to be suspended from a ceiling. Available in sizes from 4" to 48". Black or White Finish Options, 4" Round Canopy or 2" Round canopy. Custom sizes are available upon request.



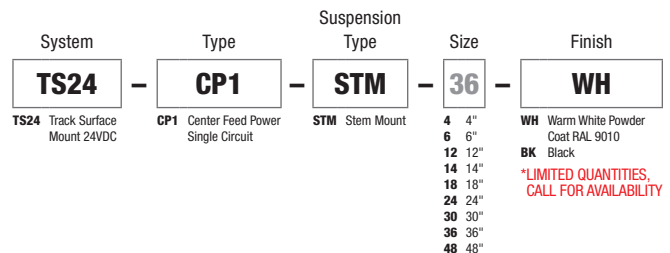
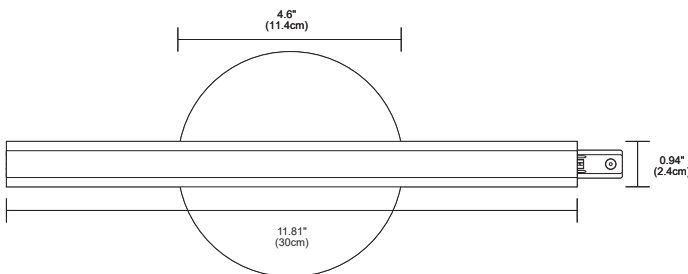
### STEM END FEED WITH POWER

The TS24 End Feed Stem Mount Single Circuit With Power allows the TS24 track to be suspended and powered from a ceiling up to 40' away. Stem lengths available in sizes from 4" to 48". with choice of 4.6" Round canopy that fits on a standard J box or 2.6" Round Canopy for new construction that come with its own 2" Jbox plaster ring. Black or White Finish Options. Custom sizes are available upon request.



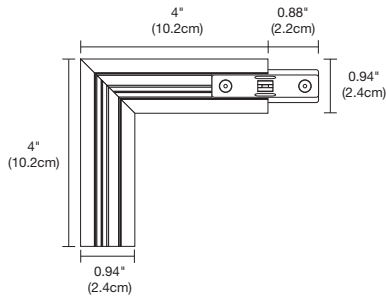
### STEM CENTER FEED WITH POWER

The TS24 Center Feed Stem Mount Single Circuit With Power allows the TS24 track to be suspended and powered from a ceiling up to 40' away, with remote power supply. Stem lengths available in sizes from 4" to 48". With choice of 4.6" Round canopy that fits on a standard J box or 2.6" Round Canopy for new construction that come with its own 2" Jbox plaster ring. Black or White Finish Options. Custom sizes are available upon request.



|         |              |      |
|---------|--------------|------|
| PROJECT | FIXTURE TYPE | DATE |
|---------|--------------|------|

**STEM MOUNT Components**



**STEM L CONNECTOR WITH POWER**

The TS24 Feed Stem Mount Single L Connector Single Circuit With Power allows the TS24 track to be suspended and powered from a ceiling up to 40' away with remote power supply. Stem lengths available in sizes from 4" to 48" with choice of 4.6" Round canopy that fits on a standard J box or 2.6" Round Canopy for new construction that come with its own 2" Jbox plaster ring. Black or White Finish Options. Custom sizes are available upon request.

| System                         | Type  | Suspension Type | Canopy                                   | Size   | Finish  |
|--------------------------------|---|-----------------|--|--|---|
| <b>TS24</b>                    | <b>LP1</b>  | <b>STM</b>      | <b>2R</b>                                | <b>36</b>  | <b>WH</b>   |
| TS24 Track Surface Mount 24VDC | LP1 L Connector Single Circuit Power Feed<br>L1 L Connector | STM Stem Mount  | 2R 2" Round Canopy<br>4R 4" Round Canopy | 4 4"<br>6 6"<br>12 12"<br>14 14"<br>18 18"<br>24 24"<br>30 30"<br>36 36"<br>48 48" | WH Warm White Powder Coat RAL 9010<br>BK Black<br><i>*LIMITED QUANTITIES, CALL FOR AVAILABILITY</i> |

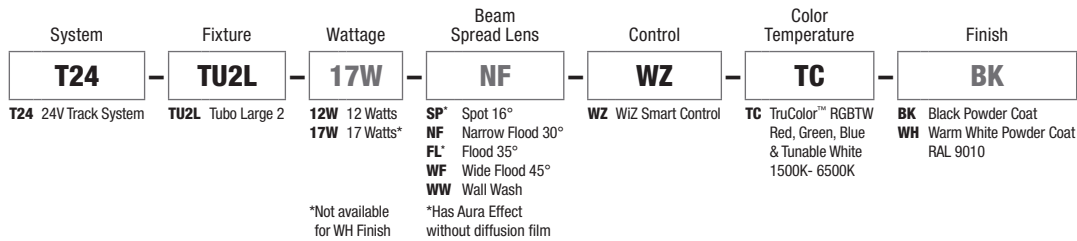
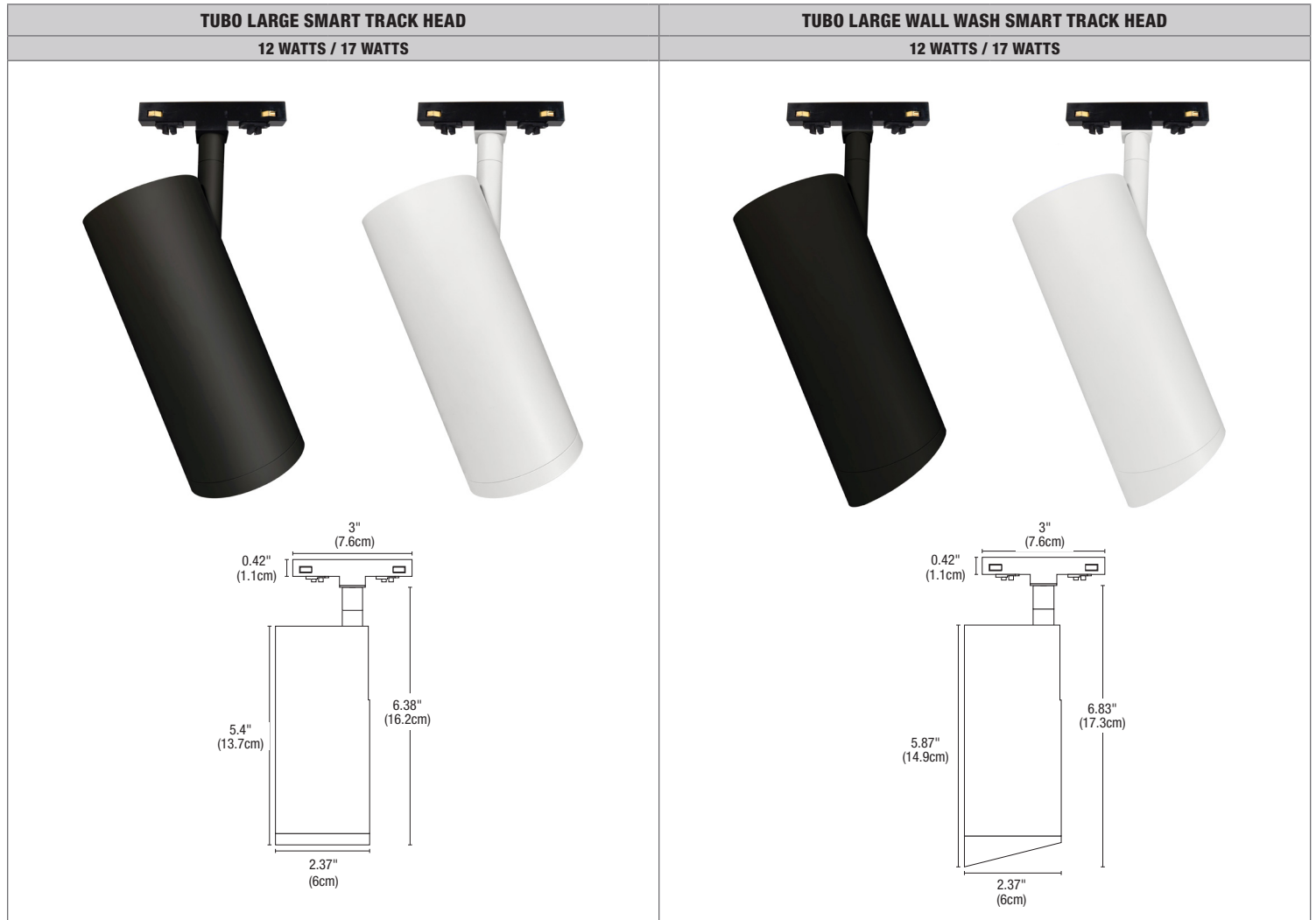
|         |              |      |
|---------|--------------|------|
| PROJECT | FIXTURE TYPE | DATE |
|---------|--------------|------|

# T24 TRACK HEADS

## 24VDC WITH INTEGRATED LED

PureEdge T24 Track Heads are Compatible with Surface and Suspended systems only: Pipeline & Pipeline 360 Modular Suspensions, Track Suspensions and Pipeline Stem Mount Wall/Display (P1SDM, PT, PSTU2CR, PSTU2CR) and Surface Mount track (TS24).

### Pure Smart™ TruColor™ RGBTW

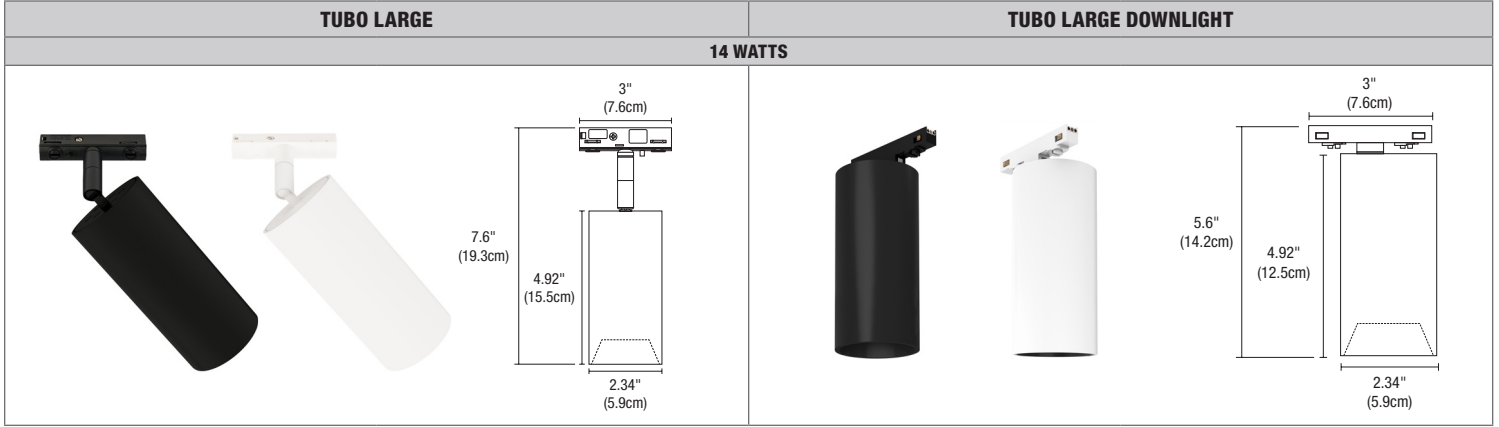


| WATTS                  | 12W     |         |         |         |         |         |         |         |         | 17W    |        |        |        |        |        |        |        |        |
|------------------------|---------|---------|---------|---------|---------|---------|---------|---------|---------|--------|--------|--------|--------|--------|--------|--------|--------|--------|
|                        | 20K     | 22K     | 24K     | 27K     | 30K     | 35K     | 40K     | 57K     | 65K     | 20K    | 22K    | 24K    | 27K    | 30K    | 35K    | 40K    | 57K    | 65K    |
| COLOR TEMPERATURE      | 445     | 462     | 507     | 596     | 670     | 737     | 751     | 596     | 494     | 830    | 862    | 962    | 1130   | 1271   | 1401   | 1531   | 1307   | 1082   |
| LUMENS                 | 44      | 44      | 47      | 52      | 56      | 61      | 64      | 60      | 56      | 64     | 62     | 65     | 72     | 79     | 87     | 96     | 93     | 82     |
| LUMENS PER WATT (lm/w) | 86.7    | 88.3    | 89.7    | 93.2    | 95.2    | 96.8    | 96.7    | 93.9    | 91.6    | 86.4   | 88.4   | 91.8   | 94.7   | 95.9   | 97.3   | 96.5   | 94.8   | 93.3   |
| CRI                    | -0.0027 | -0.0011 | -0.0019 | -0.0022 | -0.0023 | -0.0005 | -0.0005 | -0.0041 | -0.0036 | 0.0026 | 0.0026 | 0.0026 | 0.0033 | 0.0037 | 0.0024 | 0.0008 | 0.0024 | 0.0006 |
| Rf                     | 87      | 88      | 90      | 93      | 94      | 94      | 93      | 93      | 91      | 88     | 89     | 92     | 94     | 95     | 95     | 94     | 93     | 92     |
| Rg                     | 104     | 101     | 103     | 103     | 103     | 101     | 100     | 105     | 106     | 105    | 105    | 105    | 104    | 104    | 103    | 100    | 105    | 105    |
| R9                     | 91      | 92      | 90      | 94      | 97      | 98      | 94      | 80      | 66      | 84     | 86     | 92     | 97     | 97     | 98     | 85     | 90     | 83     |
| R13                    | 83      | 85      | 87      | 91      | 93      | 96      | 96      | 93      | 92      | 82     | 85     | 89     | 93     | 94     | 96     | 99     | 96     | 96     |
| R15                    | 92      | 93      | 93      | 95      | 96      | 97      | 95      | 91      | 88      | 90     | 91     | 93     | 96     | 96     | 97     | 96     | 94     | 93     |
| WATTS                  | 10      | 11      | 11      | 12      | 12      | 12      | 12      | 10      | 9       | 13     | 14     | 15     | 16     | 16     | 16     | 16     | 14     | 13     |

|         |              |      |
|---------|--------------|------|
| PROJECT | FIXTURE TYPE | DATE |
|---------|--------------|------|

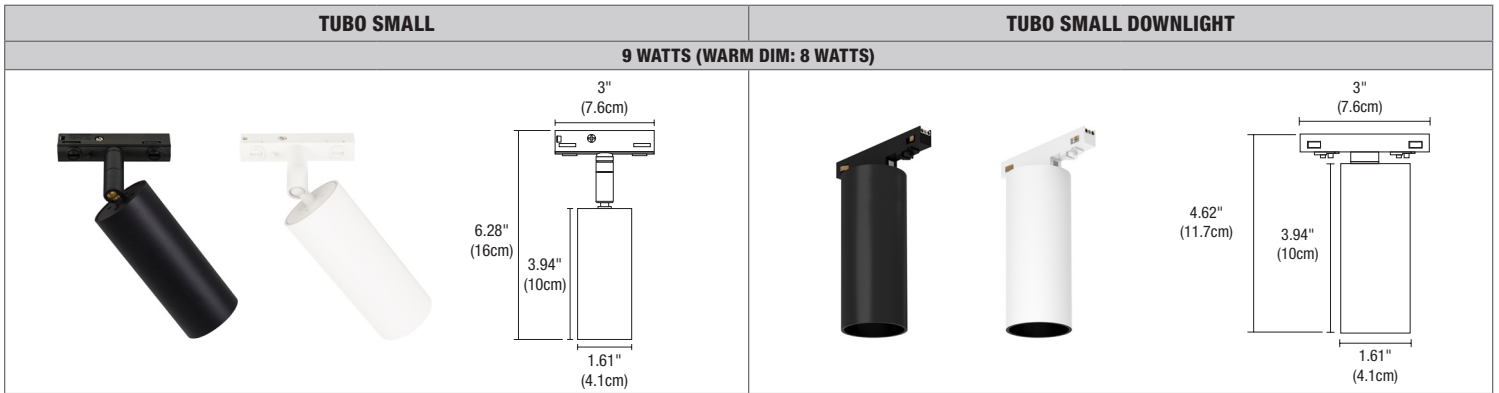
# T24 TRACK HEADS

24VDC WITH INTEGRATED LED



|                      |   |   |  |  |
|----------------------|---|---|--|--|
| System               | Fixture                                       | Beam Spread   | Color Temperature  | Finish   |
| <b>T24</b>           | <b>TUBL</b>                                   | <b>FL</b>   | <b>30K</b>   | <b>WH</b>  |
| T24 24V Track System | TUBL Tubo Large<br>TUBLD Tubo Large Downlight | NS Narrow Spot 10°<br>SP Spot 20°<br>NF Narrow Flood 35°<br>FL Flood 45°<br>WF Wide Flood 60° | 24K 2400K Very Warm White<br>27K 2700K Incandescent White<br>30D 3000D Warm Dim<br>30K 3000K Warm White<br>35K 3500K Neutral White | BK Black Powder Coat<br>WH Warm White Powder Coat RAL 9010 |
|                      |   | For 7° use STB16 snoot with NS  | 30D NS: 7.5W, 400 lumens   |  |

| BEAM ANGLE REFERENCE 45° |                      |                       |                      |                       |                       |
|--------------------------|----------------------|-----------------------|----------------------|-----------------------|-----------------------|
| COLOR TEMPERATURE        | 24K                  | 27K                   | 30K                  | 30D                   | 35K                   |
| TOTAL LUMENS             | 1238                 | 1035                  | 1069                 | 683                   | 1268                  |
| WATTS                    | 14                   | 14                    | 14                   | 14                    | 14                    |
| LUMENS PER WATT (lm/w)   | 88                   | 74                    | 76                   | 49                    | 91                    |
| CRI                      | 97                   | 92                    | 91                   | 97                    | 98                    |
| TM-30 DATA               | R9: 60 Rf: 93 Rg: 98 | R9: 97 Rf: 92 Rg: 100 | R9: 64 Rf: 91 Rg: 98 | R9: 90 Rf: 95 Rg: 102 | R9: 92 Rf: 94 Rg: 101 |



|                      |   |  |  |  |
|----------------------|---|--|--|--|
| System               | Fixture                                       | Beam Spread  | Color Temperature  | Finish   |
| <b>T24</b>           | <b>TUBS</b>                                   | <b>FL</b>  | <b>30K</b>   | <b>WH</b>  |
| T24 24V Track System | TUBS Tubo Small<br>TUBSD Tubo Small Downlight | NS* Narrow Spot 15°<br>SP Spot 25°<br>NF Narrow Flood 35°<br>FL Flood 45°<br>WF Wide Flood 60° | 24K 2400K Very Warm White<br>27K 2700K Incandescent White<br>30D 3000D Warm Dim<br>30K 3000K Warm White<br>35K 3500K Neutral White | BK Black Powder Coat<br>WH Warm White Powder Coat RAL 9010 |
|                      |   | *NS with 30D Warm Dim uses snoot, see accessory pages for details                              |  |  |

| BEAM ANGLE REFERENCE 45° |                      |                       |                      |                       |                       |
|--------------------------|----------------------|-----------------------|----------------------|-----------------------|-----------------------|
| COLOR TEMPERATURE        | 24K                  | 27K                   | 30K                  | 30D                   | 35K                   |
| TOTAL LUMENS             | 503                  | 420                   | 434                  | 287                   | 515                   |
| WATTS                    | 9                    | 9                     | 9                    | 8                     | 9                     |
| LUMENS PER WATT (lm/w)   | 59                   | 49                    | 51                   | 39                    | 61                    |
| CRI                      | 97                   | 92                    | 93                   | 94                    | 98                    |
| TM-30 DATA               | R9: 60 Rf: 93 Rg: 98 | R9: 97 Rf: 92 Rg: 100 | R9: 64 Rf: 91 Rg: 98 | R9: 90 Rf: 95 Rg: 102 | R9: 92 Rf: 94 Rg: 101 |

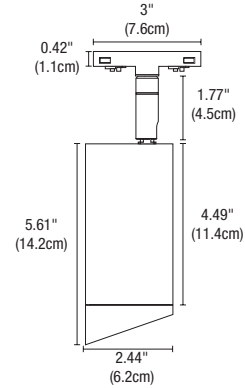
|         |              |      |
|---------|--------------|------|
| PROJECT | FIXTURE TYPE | DATE |
|---------|--------------|------|

# T24 TRACK HEADS

24VDC WITH INTEGRATED LED

## TUBO LARGE WALL WASH

15 WATTS



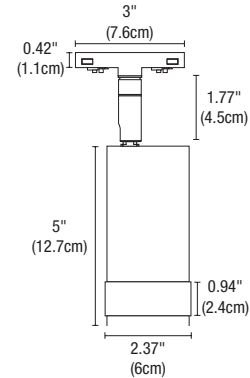
| System     | Fixture     | Beam Spread | Color Temperature | Finish    |
|------------|-------------|-------------|-------------------|-----------|
| <b>T24</b> | <b>TUBL</b> | <b>WW</b>   | <b>30K</b>        | <b>BK</b> |

**T24** Track Head 24V  
**TUBL** Tubo Large  
**WW** Wall Wash  
**24K** 2400K Very Warm White  
**27K** 2700K Incandescent White  
**30K** 3000K Warm White  
**30D** 3000K Warm Dim to 1800K  
**35K** 3500K Neutral White  
**BK** Black Powder Coat  
**WH** Warm White Powder Coat RAL 9010

| TUBO WALL WASH         |                       |
|------------------------|-----------------------|
| COLOR TEMPERATURE      | 30K                   |
| TOTAL LUMENS           | 884                   |
| WATTS                  | 15                    |
| LUMENS PER WATT (lm/w) | 59                    |
| CRI                    | 92                    |
| TM-30 DATA             | R9: 61 Rf: 92 Rg: 100 |

## ZOOM

16 WATTS



| System     | Fixture     | Beam Spread | Color Temperature | Finish    |
|------------|-------------|-------------|-------------------|-----------|
| <b>T24</b> | <b>ZOOM</b> | <b>Z2</b>   | <b>30K</b>        | <b>BK</b> |

**T24** Track Head 24V Connector  
**ZOOM** Zoom  
**Z1** Zoom Adjust 15° to 55°  
**Z2** Zoom Adjust 20° to 50°  
**24K** 2400K Very Warm White  
**27K** 2700K Incandescent White  
**30K** 3000K Warm White  
**30D** 3000K Warm Dim to 1800K\*  
**35K** 3500K Neutral White  
 \*Only available for Z2  
**BK** Black Powder Coat  
**WH** Warm White Powder Coat RAL 9010

|                        | Z1                    |                       | Z2                    |                       | Z2                    |                       |
|------------------------|-----------------------|-----------------------|-----------------------|-----------------------|-----------------------|-----------------------|
| BEAM ANGLE             | 15°                   | 55°                   | 20°                   | 50°                   | 20°                   | 50°                   |
| COLOR TEMPERATURE      | 30K                   | 30K                   | 30K                   | 30K                   | 30D                   | 30D                   |
| TOTAL LUMENS           | 686                   | 873                   | 795                   | 1188                  | 727                   | 879                   |
| WATTS                  | 16                    | 16                    | 16                    | 16                    | 15                    | 15                    |
| LUMENS PER WATT (lm/w) | 46                    | 61                    | 69                    | 89                    | 50                    | 61                    |
| CRI                    | 93                    | 93                    | 94                    | 94                    | 97                    | 97                    |
| TM-30 DATA             | R9: 66 Rf: 92 Rg: 101 | R9: 66 Rf: 92 Rg: 101 | R9: 74 Rf: 92 Rg: 102 | R9: 74 Rf: 92 Rg: 102 | R9: 66 Rf: 94 Rg: 101 | R9: 66 Rf: 94 Rg: 101 |

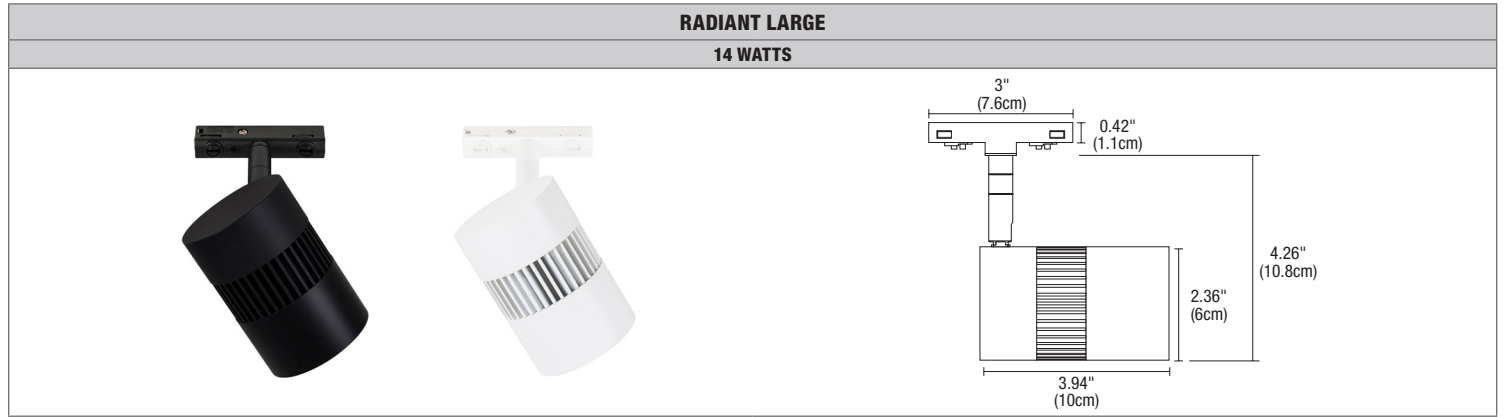
|         |  |              |  |      |  |
|---------|--|--------------|--|------|--|
| PROJECT |  | FIXTURE TYPE |  | DATE |  |
|---------|--|--------------|--|------|--|

# T24 TRACK HEADS

## 24VDC WITH INTEGRATED LED

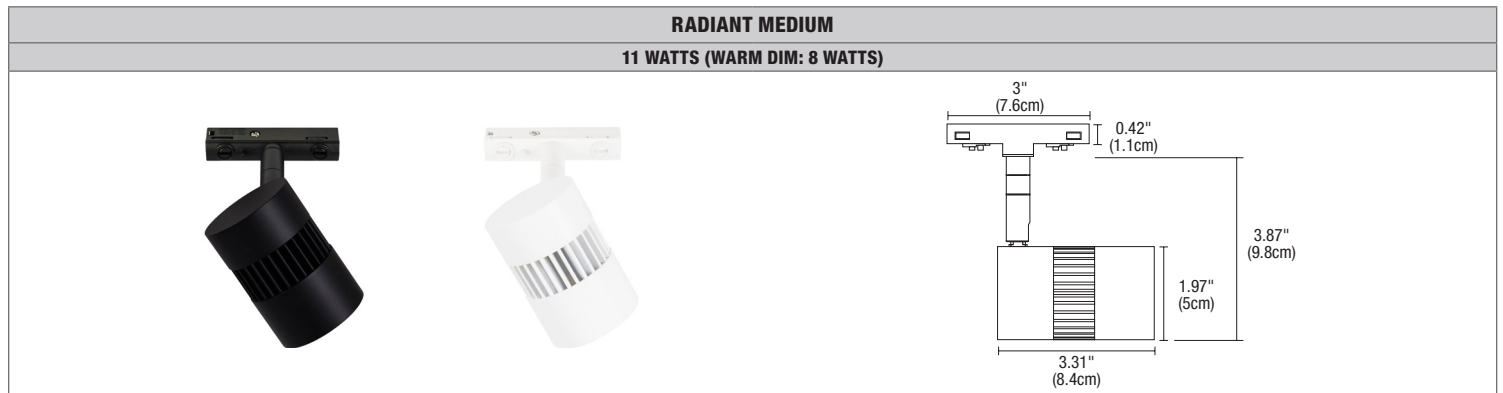
REV 05.08.25

All uniform beam spread options are field changeable, see accessories page.



| System               | Fixture            | Beam Spread   | Color Temperature  | Finish  |
|----------------------|--------------------|---|--|---|
| <b>T24</b>           | <b>RADL</b>        | <b>FL</b>   | <b>30K</b>   | <b>WH</b>   |
| T24 24V Track System | RADL Radiant Large | <b>NS</b> Narrow Spot 10°<br><b>SP</b> Spot 20°<br><b>NF</b> Narrow Flood 35°<br><b>FL</b> Flood 45°<br><b>WF</b> Wide Flood 60°<br>Warm Dim:<br><b>NS</b> (15°), <b>SP</b> (25°) | <b>24K</b> 2400K Very Warm White<br><b>27K</b> 2700K Incandescent White<br><b>30K</b> 3000K Warm White<br><b>30D</b> 3000D Warm Dim*<br><b>35K</b> 3500K Neutral White<br>*Not available in NF | <b>BK</b> Black Powder Coat<br><b>WH</b> Warm White Powder Coat<br>RAL 9010 |

| BEAM ANGLE REFERENCE 45°      |                      |                       |                      |                       |                       |
|-------------------------------|----------------------|-----------------------|----------------------|-----------------------|-----------------------|
| <b>COLOR TEMPERATURE</b>      | 24K                  | 27K                   | 30K                  | 30D                   | 35K                   |
| <b>TOTAL LUMENS</b>           | 1389                 | 1161                  | 1199                 | 838                   | 1422                  |
| <b>WATTS</b>                  | 14                   | 14                    | 14                   | 14                    | 14                    |
| <b>LUMENS PER WATT (lm/w)</b> | 99                   | 83                    | 86                   | 58                    | 102                   |
| <b>CRI</b>                    | 97                   | 92                    | 93                   | 97                    | 98                    |
| <b>TM-30 DATA</b>             | R9: 60 Rf: 93 Rg: 98 | R9: 97 Rf: 92 Rg: 100 | R9: 64 Rf: 91 Rg: 98 | R9: 90 Rf: 95 Rg: 102 | R9: 92 Rf: 94 Rg: 101 |



| System               | Fixture             | Beam Spread   | Color Temperature   | Finish  |
|----------------------|---------------------|---|---|---|
| <b>T24</b>           | <b>RADM</b>         | <b>FL</b>   | <b>30K</b>  | <b>WH</b>   |
| T24 24V Track System | RADM Radiant Medium | <b>SP</b> Spot 20°<br><b>NF</b> Narrow Flood 35°<br><b>FL</b> Flood 45°<br><b>WF</b> Wide Flood 60° | <b>24K</b> 2400K Very Warm White<br><b>27K</b> 2700K Incandescent White<br><b>30K</b> 3000K Warm White<br><b>30D</b> 3000D Warm Dim<br><b>35K</b> 3500K Neutral White | <b>BK</b> Black Powder Coat<br><b>WH</b> Warm White Powder Coat<br>RAL 9010 |

| BEAM ANGLE REFERENCE 45°      |                       |                      |                       |                       |                       |
|-------------------------------|-----------------------|----------------------|-----------------------|-----------------------|-----------------------|
| <b>COLOR TEMPERATURE</b>      | 24K                   | 27K                  | 30K                   | 30D                   | 35K                   |
| <b>TOTAL LUMENS</b>           | 765                   | 639                  | 660                   | 360                   | 783                   |
| <b>WATTS</b>                  | 11                    | 11                   | 11                    | 7.7                   | 11                    |
| <b>LUMENS PER WATT (lm/w)</b> | 70                    | 58                   | 64                    | 47                    | 76                    |
| <b>CRI</b>                    | 97                    | 92                   | 93                    | 93                    | 98                    |
| <b>TM-30 DATA</b>             | R9: 97 Rf: 92 Rg: 100 | R9: 64 Rf: 91 Rg: 98 | R9: 90 Rf: 95 Rg: 102 | R9: 92 Rf: 94 Rg: 101 | R9: 92 Rf: 94 Rg: 101 |

|         |              |      |
|---------|--------------|------|
| PROJECT | FIXTURE TYPE | DATE |
|---------|--------------|------|

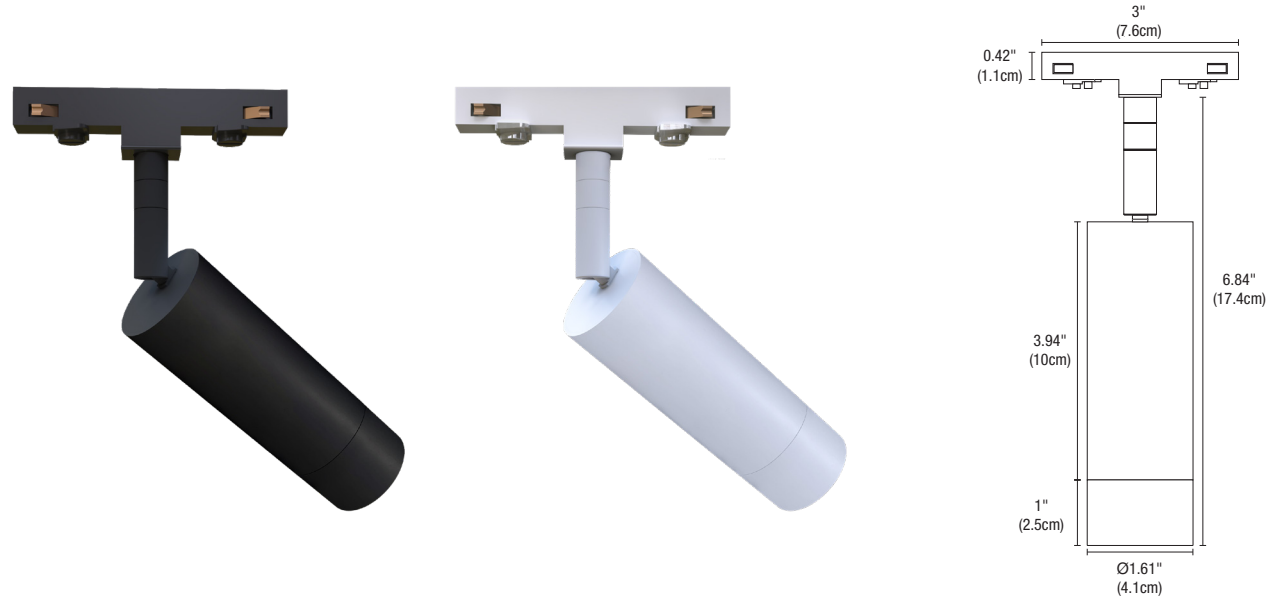
**T24 TRACK HEADS**  
24VDC WITH INTEGRATED LED

|                      |                   |                     |         |                              |  |                         |                         |
|----------------------|-------------------|---------------------|---------|------------------------------|--|-------------------------|-------------------------|
| <b>MATERIAL</b>      | Extruded Aluminum | <b>FREQUENCY</b>    | 50/60HZ | <b>APPLICATION</b>           | Suitable for dry locations. Indoor use only. | <b>COMPLIANCE LABEL</b> | ETL to UL 2108 Standard |
| <b>INPUT VOLTAGE</b> | 24VDC             | <b>POWER FACTOR</b> | > 0.90  | <b>DIMMING &amp; FLICKER</b> | 0-10V dimming Flicker less than 2%           | <b>LED LAMP LIFE</b>    | 60,000 Hours            |

All track heads with the exception of Tubo Wall Wash and Zoom are JA8 listed with universal power supplies in 27K< CCT. Click the link to access our full Title 24 compliance listings: [pureedgelighting.com/resources](http://pureedgelighting.com/resources).

**TUBO SMALL NARROW SPOT (NS) 30D WARM DIM WITH SNOOT DETAIL**

\*SNOOT IS INCLUDED IN NS 30D ORDERING CODE & REQUIRED FOR USE\*



|         |  |              |  |      |  |
|---------|--|--------------|--|------|--|
| PROJECT |  | FIXTURE TYPE |  | DATE |  |
|---------|--|--------------|--|------|--|

## Additional Lenses and Accessories

REV 05.08.25

| TUBO LARGE LENS      |   | SNOOT   |  | LOUVER  | FOCUS LENS   | LINEAR SPREAD FILM  |   |
|----------------------|---|---|--|---|--|---|---|
|                      |   |   |  |   |  |   |   |
| <b>ORDERING CODE</b> | <b>STATIC WHITE</b><br>LEN-TUBL-NS-SW<br>LEN-TUBL-SP-SW<br>LEN-TUBL-NF-SW<br>LEN-TUBL-FL-SW<br>LEN-TUBL-WF-SW | <b>WARM DIM</b><br>LEN-TUBL-SP-WD<br>LEN-TUBL-NF-WD<br>LEN-TUBL-FL-WD<br>LEN-TUBL-WF-WD | <b>STB16-BK</b><br><b>STB16-WH (WHITE SHELL)</b>   | <b>ST16-BK</b><br><b>ST16-WH</b>                                    | <b>L016-H</b>                                      | <b>LF-TUBL-SF (SOFT FOCUS),</b><br><b>MF (MEDIUM FOCUS),</b><br><b>WF (WIDE FOCUS)</b>                | <b>LF-TUBL-LS</b>   |
| <b>LENS SIZE</b>     | 2" (50mm) Diameter  |   |  |   |  |   |   |
| <b>BEAM SPREADS</b>  | <b>NS (10°), SP (20°), NF (35°)</b><br><b>FL (45°), WF (60°)</b>  |   | Conical snoot creates a 7° Beam spread and is designed to reduce spill and control glare. Spun aluminum. | Snoot is designed to reduce spill and control glare. Spun aluminum. | Hexcell louver eliminates glare. 0.125" Thickness. | Soft focus lens is included with every track head. Diffuses the beam, providing uniform illumination. | Linear spread film: directs the light into an elongated beam. Typical applications using 10°, 15°, 25° include illuminating landscape oriented art. 35°, 40°, 60° create an elongated oval typically used for wall washing. |

| TUBO SMALL LENS      |   | SNOOT   |  | LOUVER   | FOCUS LENS  | LINEAR SPREAD FILM  |                   |
|----------------------|---|---|--|--|---|---|-------------------|
|                      |   |   |  |  |   |   |                   |
| <b>ORDERING CODE</b> | <b>STATIC WHITE</b><br>LEN-TUBS-NS-SW<br>LEN-TUBS-SP-SW<br>LEN-TUBS-NF-SW<br>LEN-TUBS-FL-SW<br>LEN-TUBS-WF-SW | <b>WARM DIM</b><br>LEN-TUBS-NS-WD<br>LEN-TUBS-SP-WD<br>LEN-TUBS-NF-WD<br>LEN-TUBS-FL-WD<br>LEN-TUBS-WF-WD | <b>TUBS-ST-BK</b><br><b>TUBS-ST-WH (WHITE SHELL)</b>   |  | <b>L011-H</b>   | <b>LF-TUBS-SF (SOFT FOCUS),</b><br><b>MF (MEDIUM FOCUS),</b><br><b>WF (WHITE FOCUS)</b>   | <b>LF-TUBS-LS</b> |
| <b>LENS SIZE</b>     | 1.37" (35mm) Diameter   |   |  |  |   |   |                   |
| <b>BEAM SPREADS</b>  | <b>NS (15°), SP (25°), NF (35°),</b><br><b>FL (45°), WF (60°)</b>   |   | Conical snoot creates a 7° Beam spread and is designed to reduce spill and control glare. Spun aluminum. | Hexcell louver eliminates glare. 0.125" Thickness. | Soft focus lens is included with every track head. Diffuses the beam, providing uniform illumination. | Linear spread film: directs the light into an elongated beam. Typical applications using 10°, 15°, 25° include illuminating landscape oriented art. 35°, 40°, 60° create an elongated oval typically used for wall washing. |                   |

| RADIANT LARGE LENS   |   | SNOOT   |  | LOUVER   | FOCUS LENS  | LINEAR SPREAD FILM  |                   |
|----------------------|---|---|--|--|---|---|-------------------|
|                      |   |   |  |  |   |   |                   |
| <b>ORDERING CODE</b> | <b>STATIC WHITE</b><br>LEN-RADL-NS-SW<br>LEN-RADL-SP-SW<br>LEN-RADL-NF-SW<br>LEN-RADL-FL-SW<br>LEN-RADL-WF-SW | <b>WARM DIM</b><br>LEN-RADL-NS-WD<br>LEN-RADL-SP-WD<br>LEN-RADL-FL-WD<br>LEN-RADL-WF-WD | <b>STB16-BK</b><br><b>STB16-WH (WHITE SHELL)</b>   |  | <b>L016-H</b>   | <b>LF-RADL-SF (SOFT FOCUS),</b><br><b>MF (MEDIUM FOCUS),</b><br><b>WF (WIDE FOCUS)</b>  | <b>LF-RADL-LS</b> |
| <b>LENS SIZE</b>     | 2" (50mm) Diameter  |   |  |  |   |   |                   |
| <b>BEAM SPREADS</b>  | <b>NS (10°), SP (20°),</b><br><b>NF (35°), FL (45°),</b><br><b>WF (60°)</b>                                   | <b>NS (15°), SP (25°),</b><br><b>FL (45°), WF (60°)</b>                                 | Conical snoot creates a 7° Beam spread and is designed to reduce spill and control glare. Spun aluminum. | Hexcell louver eliminates glare. 0.125" Thickness. | Soft focus lens is included with every track head. Diffuses the beam, providing uniform illumination. | Linear spread film: directs the light into an elongated beam. Typical applications using 10°, 15°, 25° include illuminating landscape oriented art. 35°, 40°, 60° create an elongated oval typically used for wall washing. |                   |

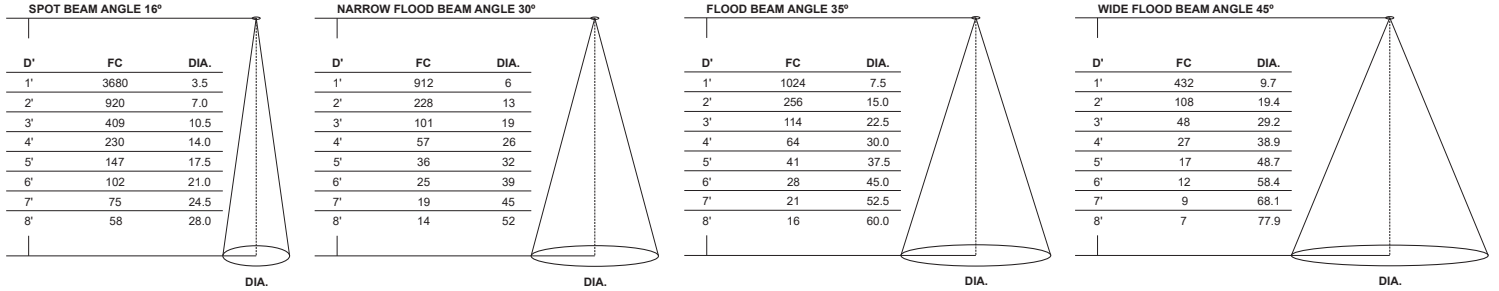
| RADIANT MEDIUM LENS  |   | LOUVER        | FOCUS LENS  | LINEAR SPREAD FILM  |
|----------------------|---|---------------|---|---|
|                      |   |               |   |   |
| <b>ORDERING CODE</b> | <b>STATIC WHITE</b><br>LEN-RADM-SP-SW<br>LEN-RADM-NF-SW<br>LEN-RADM-FL-SW<br>LEN-RADM-WF-SW | <b>L011-H</b> | <b>LF-RADM-SF (SOFT FOCUS)</b><br><b>MF (MEDIUM FOCUS), WF (WIDE FOCUS)</b> | <b>LF-RADM-LS</b>   |
| <b>LENS SIZE</b>     | 1.37" (35mm) Diameter   |               |   |   |
| <b>BEAM SPREADS</b>  | <b>SP (20°), NF (35°), FL (45°), WF (60°)</b>   |               | Hexcell louver eliminates glare. 0.125" Thickness.                          | Soft focus lens is included with every track head. Diffuses the beam, providing uniform illumination.   |
|                      |   |               |   | Linear spread film: directs the light into an elongated beam. Typical applications using 10°, 15°, 25° include illuminating landscape oriented art. 35°, 40°, 60° create an elongated oval typically used for wall washing. |

|         |  |              |  |      |  |
|---------|--|--------------|--|------|--|
| PROJECT |  | FIXTURE TYPE |  | DATE |  |
|---------|--|--------------|--|------|--|

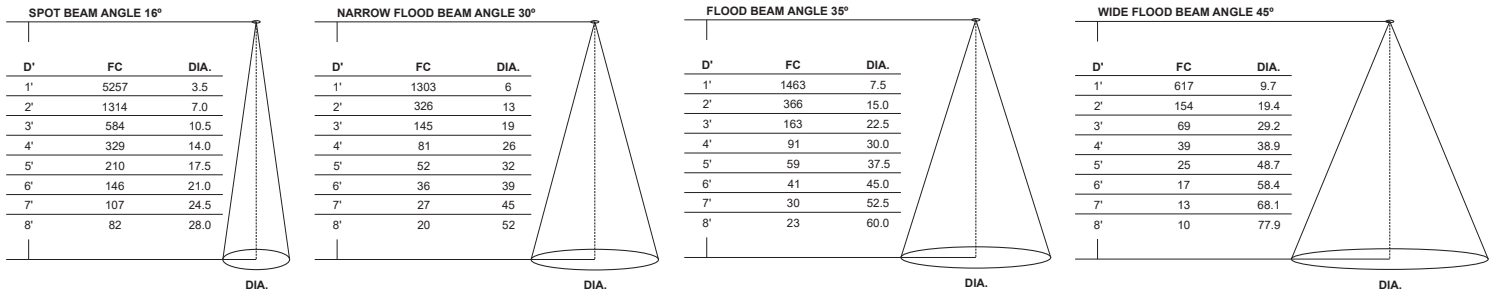
## TUBO LARGE RGBTW SMART TRACKHEAD Photometric Data at 3000K

D - Distance from TUBO LARGE fixture  
 FC - Initial foot candles at the center of beam  
 DIA - Diameter

### 12 Watt

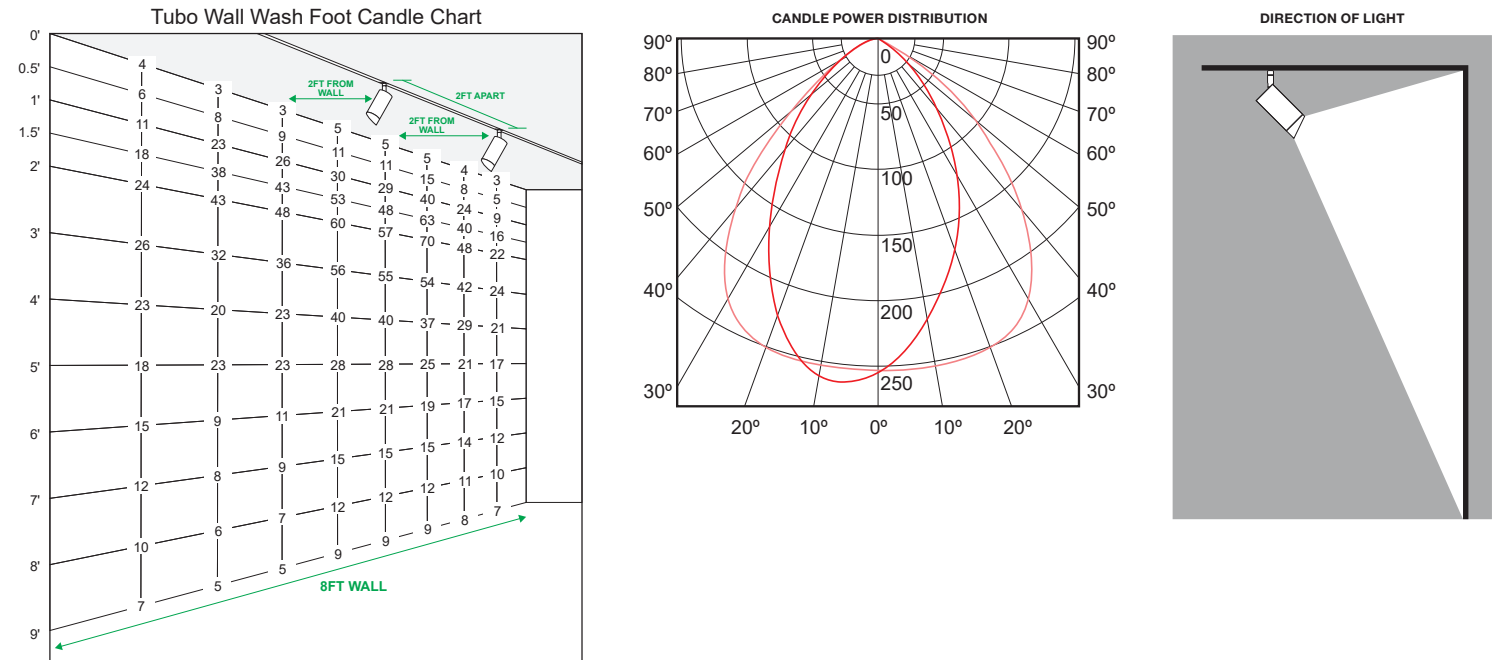


### 17 Watt



## TUBO WALL WASH RGBTW SMART TRACKHEAD Photometric Data at 3000K

D - Distance from fixture  
 FC - Initial foot candles at the center of beam  
 DIA - Diameter

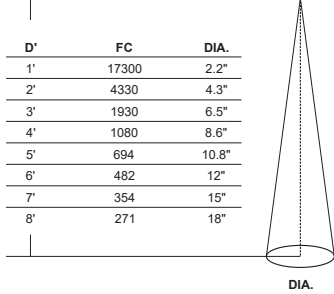


|         |              |      |
|---------|--------------|------|
| PROJECT | FIXTURE TYPE | DATE |
|---------|--------------|------|

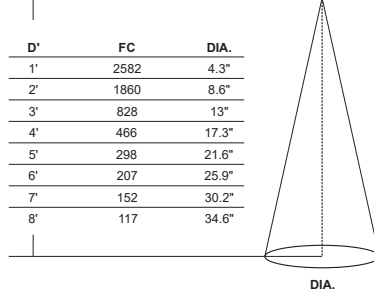
## TUBO LARGE Photometric Data at 3000K

**D** - Distance from fixture  
**FC** - Initial foot candles at the center of beam  
**DIA** - Diameter

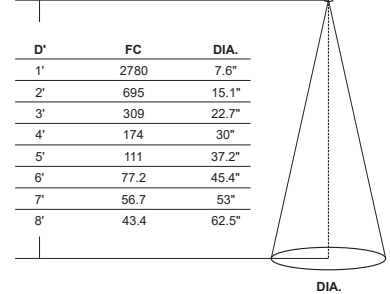
**NARROW SPOT BEAM ANGLE 10°**



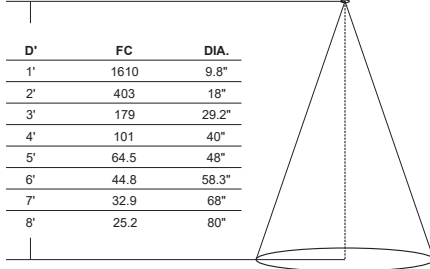
**SPOT BEAM ANGLE 20°**



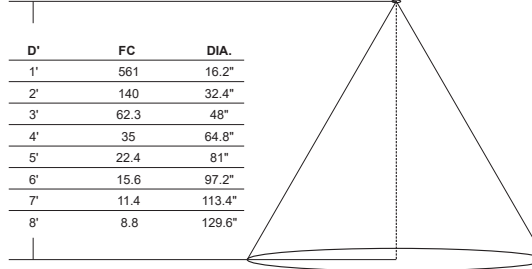
**NARROW FLOOD BEAM ANGLE 35°**



**FLOOD BEAM ANGLE 45°**



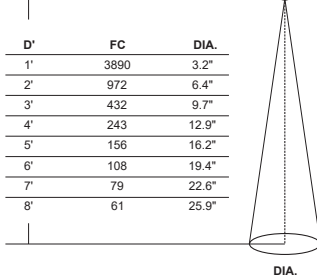
**WIDE FLOOD BEAM ANGLE 60°**



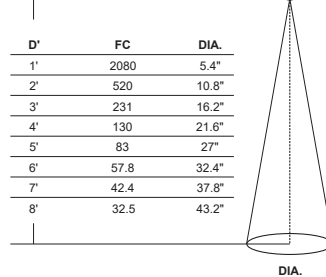
## TUBO SMALL Photometric Data at 3000K

**D** - Distance from fixture  
**FC** - Initial foot candles at the center of beam  
**DIA** - Diameter

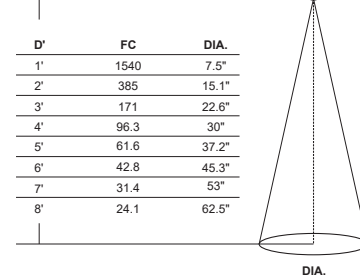
**NARROW SPOT BEAM ANGLE 15°**



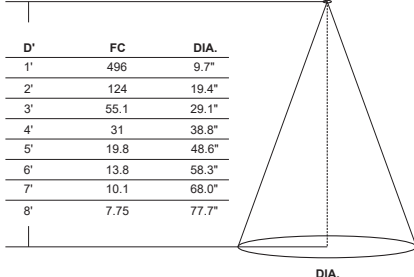
**SPOT BEAM ANGLE 25°**



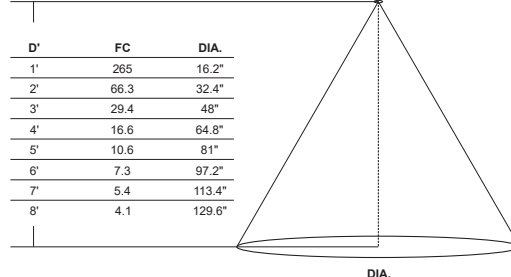
**NARROW FLOOD BEAM ANGLE 35°**



**FLOOD BEAM ANGLE 45°**



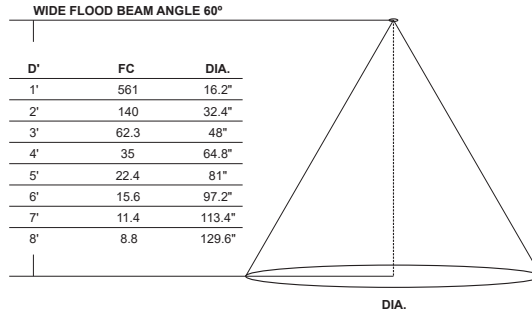
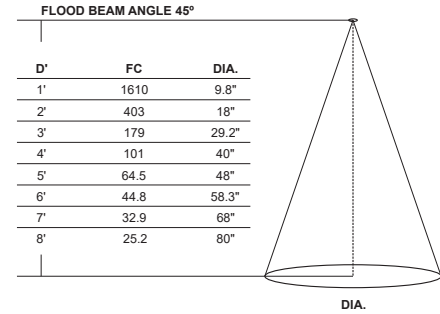
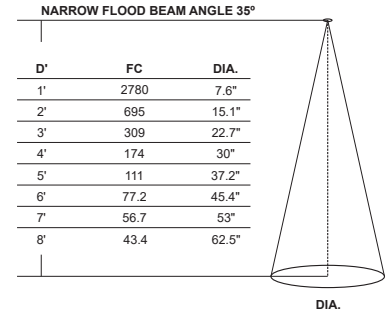
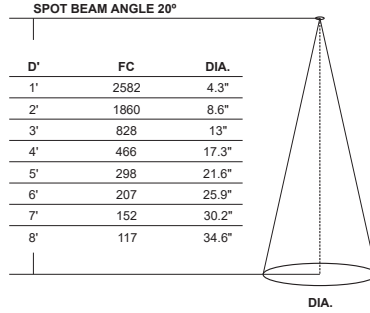
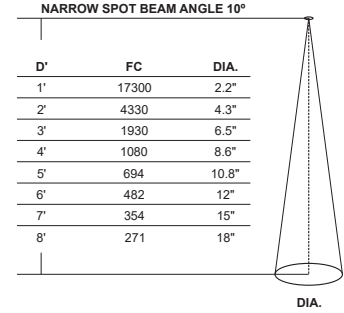
**WIDE FLOOD BEAM ANGLE 60°**



|         |              |      |
|---------|--------------|------|
| PROJECT | FIXTURE TYPE | DATE |
|---------|--------------|------|

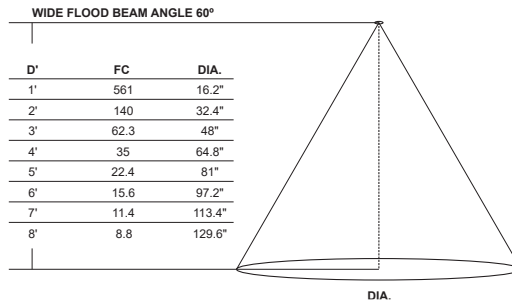
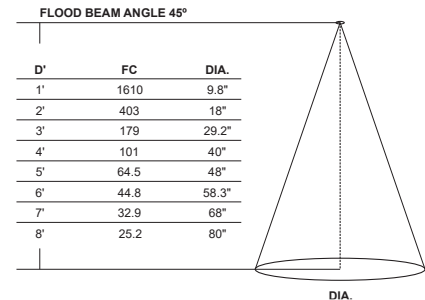
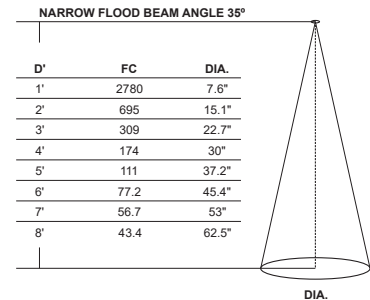
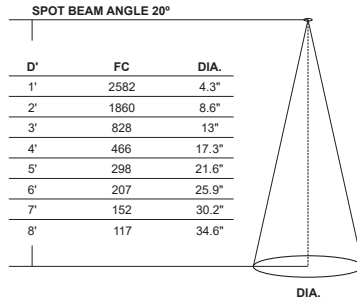
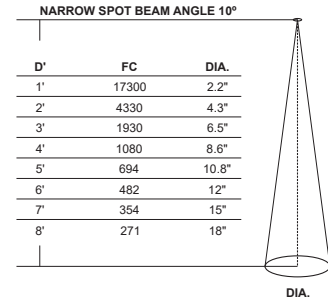
## TUBO LARGE DOWNLIGHT Photometric Data at 3000K

**D** - Distance from fixture  
**FC** - Initial foot candles at the center of beam  
**DIA** - Diameter



## TUBO SMALL DOWNLIGHT Photometric Data at 3000K

**D** - Distance from fixture  
**FC** - Initial foot candles at the center of beam  
**DIA** - Diameter

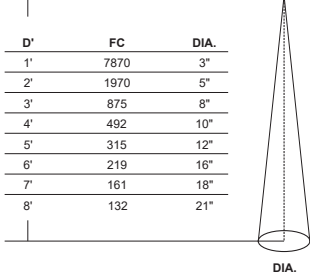


|         |              |      |
|---------|--------------|------|
| PROJECT | FIXTURE TYPE | DATE |
|---------|--------------|------|

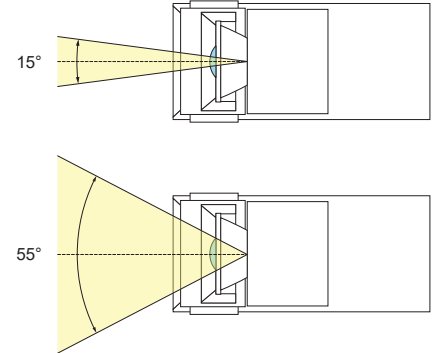
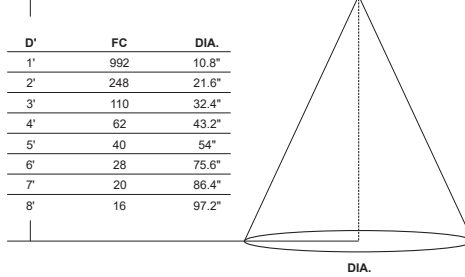
## ZOOM Z1 Photometric Data at 3000K

**D** - Distance from fixture  
**FC** - Initial foot candles at the center of beam  
**DIA** - Diameter

15° BEAM ANGLE



55° BEAM ANGLE

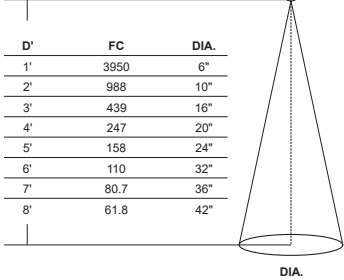


Z1: Adjustable between 15° and 55°

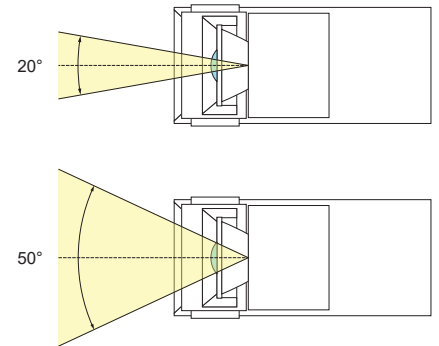
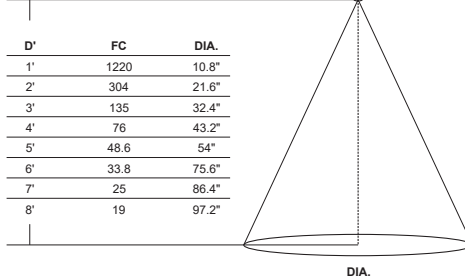
## ZOOM Z2 Photometric Data at 3000K

**D** - Distance from fixture  
**FC** - Initial foot candles at the center of beam  
**DIA** - Diameter

20° BEAM ANGLE



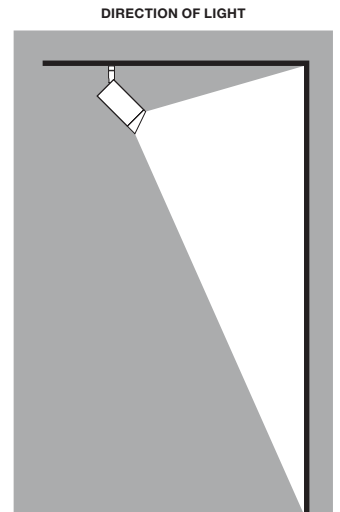
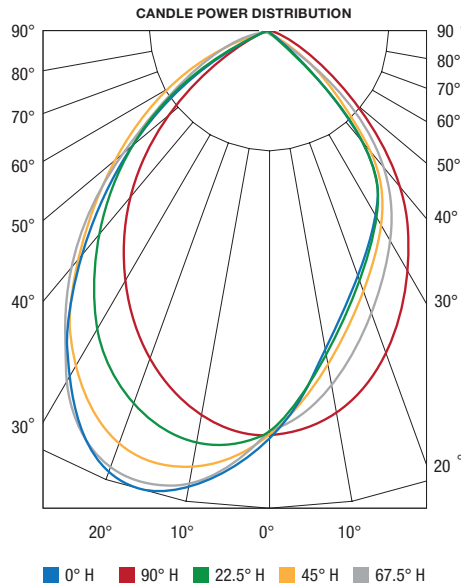
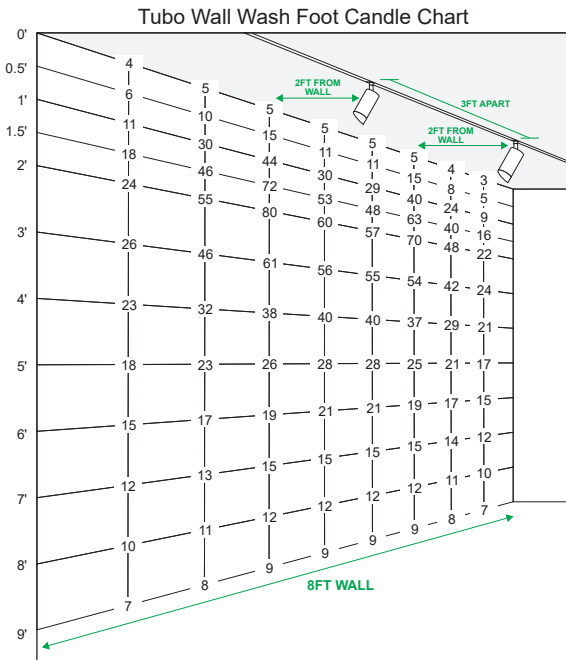
50° BEAM ANGLE



Z2: Adjustable between 20° and 50°

## TUBO WALL WASH Photometric Data at 3000K

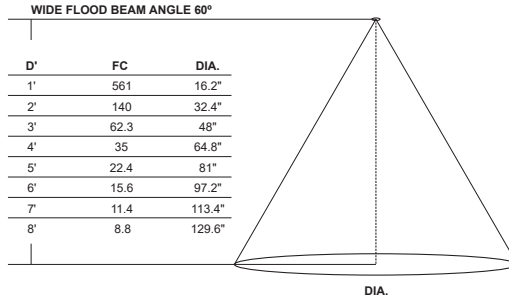
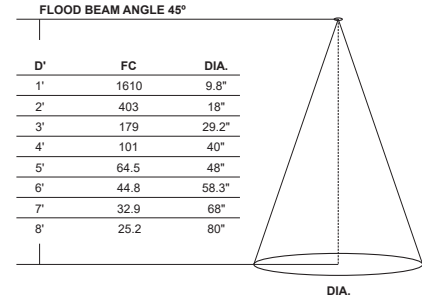
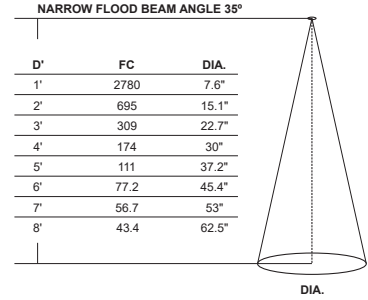
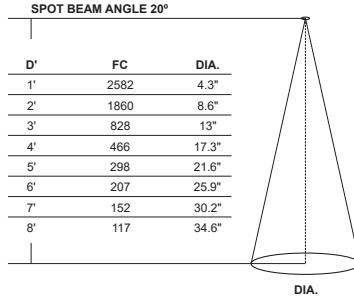
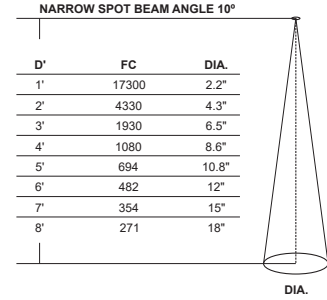
**D** - Distance from fixture  
**FC** - Initial foot candles at the center of beam  
**DIA** - Diameter



|         |              |      |
|---------|--------------|------|
| PROJECT | FIXTURE TYPE | DATE |
|---------|--------------|------|

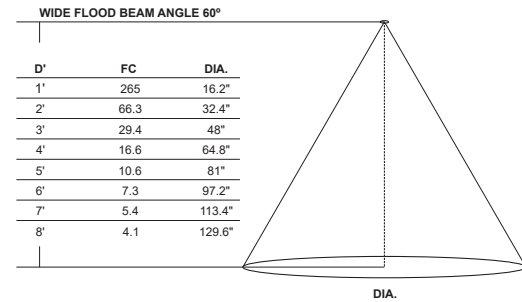
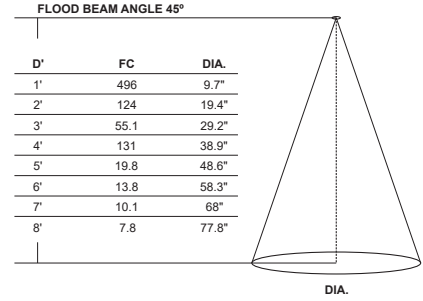
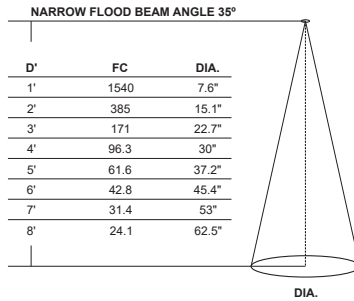
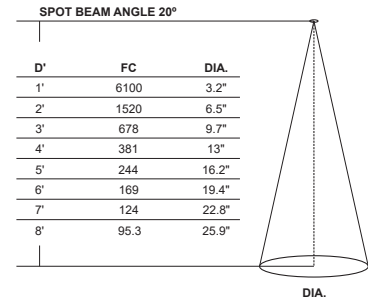
## RADIANT LARGE Photometric Data at 3000K

**D** - Distance from fixture  
**FC** - Initial foot candles at the center of beam  
**DIA** - Diameter



## RADIANT MEDIUM Photometric Data at 3000K

**D** - Distance from fixture  
**FC** - Initial foot candles at the center of beam  
**DIA** - Diameter



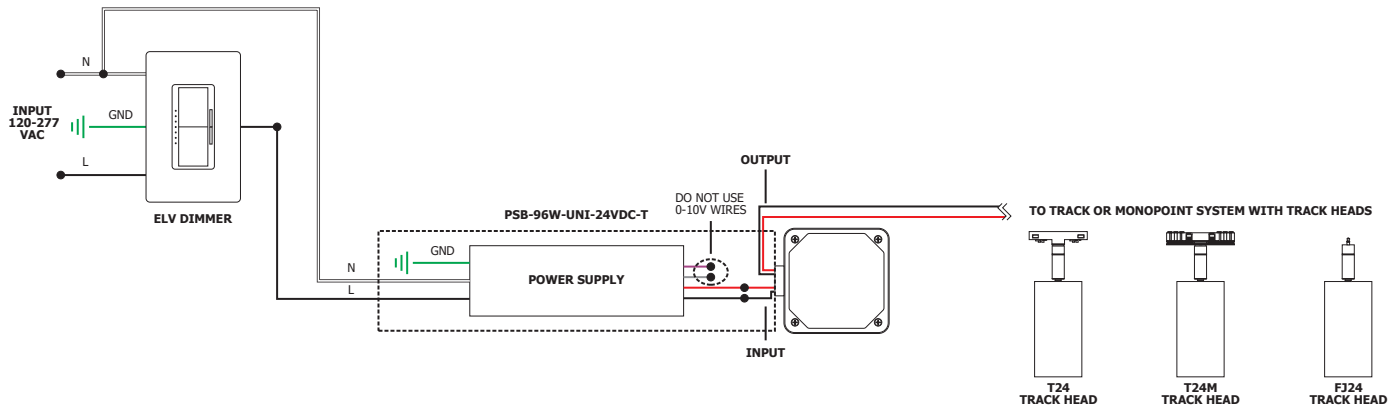
|         |              |      |
|---------|--------------|------|
| PROJECT | FIXTURE TYPE | DATE |
|---------|--------------|------|

# UNIVERSAL POWER SUPPLIES WITH TRIM

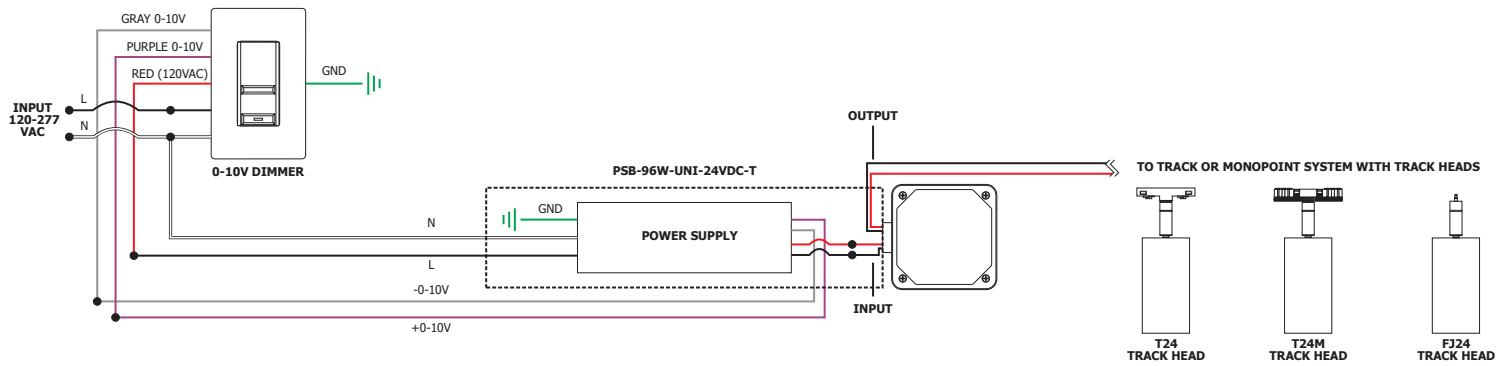
24VDC, UNIVERSAL DIMMING (ELV, TRIAC, 0-10V) STATIC WHITE & WARM DIM FOR TRACK HEADS

REV 05.08.25

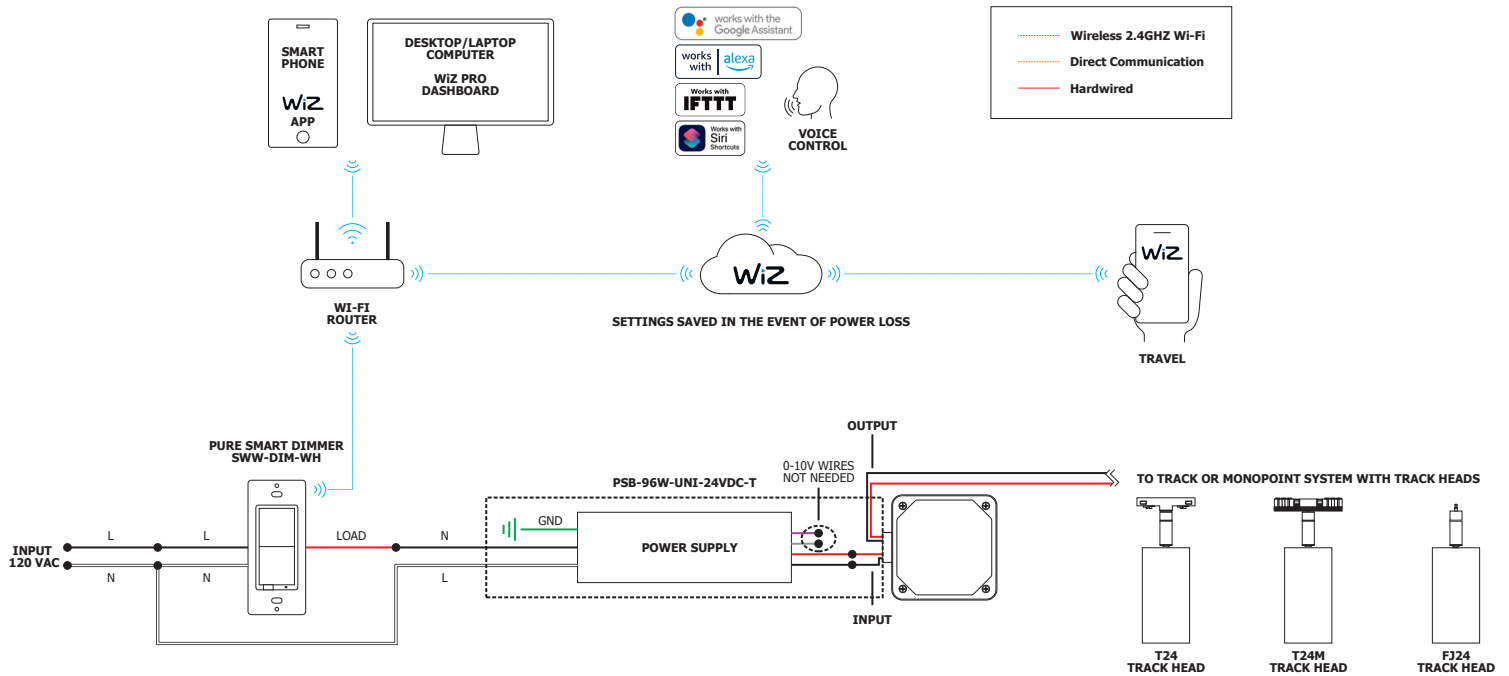
## ELV WIRING DIAGRAM



## 0-10V WIRING DIAGRAM



## SMART WIRING DIAGRAM & NETWORK TOPOGRAPHY



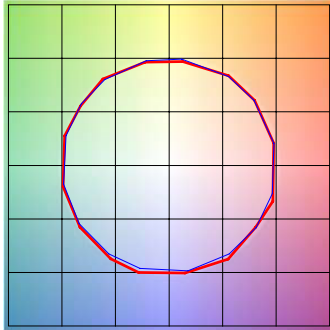
|         |              |      |
|---------|--------------|------|
| PROJECT | FIXTURE TYPE | DATE |
|---------|--------------|------|

# TM30-15 DATA

## T24 TRACK HEADS

### RADIANT LARGE FLOOD 3000K | Rf: 95 | Rg: 101.6

Color Vector Graphic

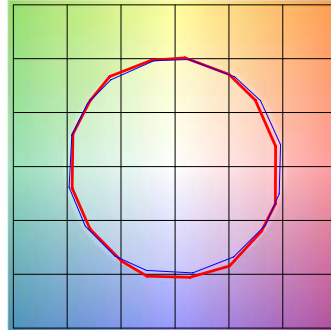


■ Test ■ Reference

|         |      | GRAPHIC SHIFTS % |       |
|---------|------|------------------|-------|
| HUE BIN | Rf   | CHROMA           | HUE   |
| 1       | 96.8 | -0.3%            | 0.3%  |
| 2       | 97.8 | 0.3%             | -0.3% |
| 3       | 96.5 | 0.4%             | 0.3%  |
| 4       | 95.3 | -2.1%            | -1.4% |
| 5       | 95.9 | -1.1%            | 1.1%  |
| 6       | 96.4 | 1.4%             | 1.3%  |
| 7       | 93.9 | -0.5%            | 1.9%  |
| 8       | 97.3 | 1.3%             | 0.3%  |
| 9       | 95.9 | 1%               | 2.1%  |
| 10      | 94.0 | 1.3%             | 3.3%  |
| 11      | 92.7 | 2.9%             | 4.1%  |
| 12      | 92.4 | 3.8%             | -0.4% |
| 13      | 94.6 | 1.5%             | -3.2% |
| 14      | 93.0 | 3.3%             | -3.6% |
| 15      | 94.6 | -0.6%            | -0.1% |
| 16      | 90.1 | 1.9%             | -6.9% |

### RADIANT MEDIUM FLOOD 3000K | Rf: 89.5 | Rg: 100.8

Color Vector Graphic

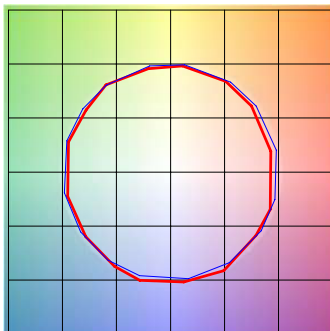


■ Test ■ Reference

|         |      | GRAPHIC SHIFTS % |        |
|---------|------|------------------|--------|
| HUE BIN | Rf   | CHROMA           | HUE    |
| 1       | 90.0 | -4.9%            | -0.7%  |
| 2       | 90.7 | -3.6%            | 3.1%   |
| 3       | 87.2 | -1.1%            | 5.9%   |
| 4       | 92.7 | 1.0%             | 3.8%   |
| 5       | 93.8 | 0.9%             | 2.7%   |
| 6       | 94.2 | 3.0%             | -0.7%  |
| 7       | 92.7 | -0.5%            | -3.6%  |
| 8       | 96.6 | -0.8%            | -1.5%  |
| 9       | 94.4 | -2.5%            | 1.4%   |
| 10      | 89.7 | -2.3%            | 4.6%   |
| 11      | 87.3 | 0.5%             | 7.6%   |
| 12      | 89.9 | 5.2%             | 1.5%   |
| 13      | 92.0 | 3.6%             | -3.4%  |
| 14      | 87.6 | 4.7%             | -7.7%  |
| 15      | 88.2 | -0.0%            | -6.9%  |
| 16      | 85.8 | -1.8%            | -10.0% |

### TUBO LARGE FLOOD 3000K | Rf: 91.0 | Rg: 98.0

Color Vector Graphic

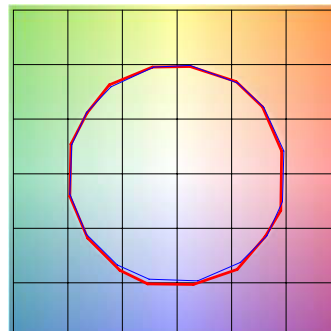


■ Test ■ Reference

|         |      | GRAPHIC SHIFTS % |       |
|---------|------|------------------|-------|
| HUE BIN | Rf   | CHROMA           | HUE   |
| 1       | 89.2 | -5.2%            | 0.1%  |
| 2       | 91.3 | -3.6%            | 2.4%  |
| 3       | 90.2 | -1.8%            | 4.1%  |
| 4       | 94.7 | -1.3%            | 1.8%  |
| 5       | 93.8 | -2.3%            | 1.8%  |
| 6       | 96.8 | 0.4%             | 0.0%  |
| 7       | 93.1 | -3.2%            | -1.0% |
| 8       | 96.6 | -1.5%            | 0.7%  |
| 9       | 92.7 | -2.4%            | 3.7%  |
| 10      | 87.4 | -1.5%            | 6.3%  |
| 11      | 87.8 | 1.5%             | 8.1%  |
| 12      | 89.9 | 4.4%             | 1.0%  |
| 13      | 91.7 | 2.3%             | -4.8% |
| 14      | 87.4 | 3.3%             | -8.5% |
| 15      | 88.1 | -1.5%            | -6.3% |
| 16      | 85.4 | -2.6%            | -9.8% |

### TUBO SMALL FLOOD 3000K | Rf: 95.0 | Rg: 102.2

Color Vector Graphic



■ Test ■ Reference

|         |      | GRAPHIC SHIFTS % |       |
|---------|------|------------------|-------|
| HUE BIN | Rf   | CHROMA           | HUE   |
| 1       | 96.6 | -1.1%            | -0.7% |
| 2       | 97.9 | -0.6%            | 0.4%  |
| 3       | 95.3 | 0.1%             | 2.0%  |
| 4       | 96.5 | 0.3%             | 1.4%  |
| 5       | 94.8 | 0.0%             | 2.0%  |
| 6       | 94.6 | 3.0%             | 0.9%  |
| 7       | 96.3 | 1.1%             | -0.9% |
| 8       | 96.6 | 1.5%             | -1.3% |
| 9       | 97.3 | 0.1%             | 0.4%  |
| 10      | 95.8 | -0.5%            | 1.8%  |
| 11      | 92.5 | 1.0%             | 4.4%  |
| 12      | 92.5 | 4.1%             | 0.5%  |
| 13      | 94.9 | 2.5%             | -2.0% |
| 14      | 92.5 | 4.0%             | -3.5% |
| 15      | 94.0 | 1.2%             | -3.0% |
| 16      | 90.1 | 1.7%             | -7.1% |

|         |              |      |
|---------|--------------|------|
| PROJECT | FIXTURE TYPE | DATE |
|---------|--------------|------|