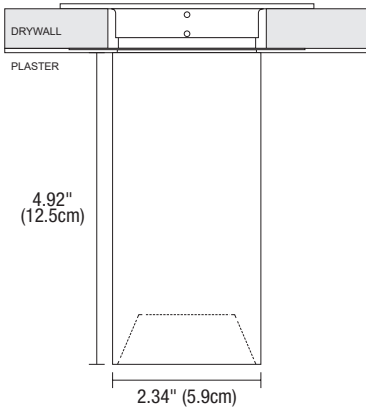




**VR**

Vanishing Point Plaster-In, Remote Power supply (Order separately)



### DESCRIPTION

The Vanishing Point Tubo Large Down Light Plaster-In System with integrated LED offers four different mounting options all without a visible canopy, creating a seamless architecture using a remotely located power supply or an ELV power supply within the junction box. The Tubo Large Downlight is available in a black or white powder coat finishes with five color temperatures to choose from, including Warm Dim (**30D**). Offered in multiple beam spreads that can be changed in the field. 97 CRI with R9-97 Integral LED chip with a flat-back heat sink design.

### DRYWALL APPLICATIONS (PLASTER-IN)

**VR** - Remote 24VDC Power Supply (Order Separately).

### MILLWORK APPLICATIONS

**V2MR** - Connection point at ceiling sits flush on Millwork. 24VDC remote power supply (order separately).

### SPECIFICATIONS

- Input Voltage 120VAC/24VDC
- Power Consumption: 14 watts
- Construction: Die Cast Aluminum
- Dimensions: Ø 2.34" Height 4.92"
- Color Rendering: COB Chromaticity range within a 2-step MacAdam Ellipse
- Average LED life: 60,000 hrs

### REMOTE POWER SUPPLIES\*, DIMMERS & CONTROLS (SOLD SEPARATELY)

**24VDC, CLASS 2 WIRING**

- [Pure Smart™ WiZ Pro Power Supplies & Controls](#)
- [UNI Driver: Universal Dimming \(TRIAC, ELV, 0-10V\)](#)

### WARRANTY / LABELS

Pro-rated 5 year warranty. Assembled in America, RoHS, ETL (Conforms to UL1598 and CSA 22.2 #250.0).  
 \*Title24 JA8 listed with universal power supplies in 27K> CCT, Click the link to access our full Title 24 compliance listings: [pureedgeighting.com/resources](http://pureedgeighting.com/resources).

### APPLICATIONS

Designed for indoor use only in drywall and millwork. Ideal applications in Commercial, Retail, Residential, Hospitality, Education, and Healthcare Institutions.



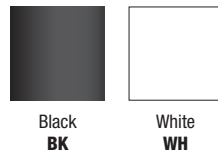
**V2MR**

Vanishing Point for Millwork Ceiling, Remote Power supply (Order separately)

### LAMPING

	BEAM ANGLE REFERENCE 40°				
COLOR TEMPERATURE	24K	27K	30K	30D*	35K
TOTAL LUMENS	1032	920	891	683	1024
WATTS	14	14	14	14	14
LUMENS PER WATT (lm/w)	74	66	65	49	73
CRI	97	92	92	97	97.5
TM-30 DATA	R9: 60 Rf: 93 Rg: 98	R9: 97 Rf: 92 Rg: 100	R9: 64 Rf: 91 Rg: 98	R9: 90 Rf: 95 Rg: 102	R9: 92 Rf: 94 Rg: 101
LAMP LIFE	60,000 Hours, 70% Lumen Maintenance				

### FINISH



Black  
**BK**

White  
**WH**

System	Type	Fixture	Beam Spread	Color Temperature	Finish
<b>VR</b>	<b>HW24</b>	<b>TUBLD</b>	<b>NF</b>	<b>30K</b>	<b>WH</b>

**VR** Vanishing Point Drywall (Plaster-In) with Remote Power supply (order separately)

**V2MR** Vanishing Point Flush canopy for Millwork with Remote Power supply (order separately)

**HW24** Hard Wire 24VDC

**TUBLD** Tubo Large Down Light

**NS** Narrow Spot 10°

**SP** Spot 20°

**NF** Narrow Flood 35°

**FL** Flood 45°

**VW** Very Wide Flood 75°

**24K** 2400K Very Warm White

**27K** 2700K Incandescent White

**30K** 3000K Warm White

**30D** 3000K Warm Dim to 1800K\*

**35K** 3500K Neutral White

\*Not available in VW

**30D NS:** 7.5W, 400 lumens

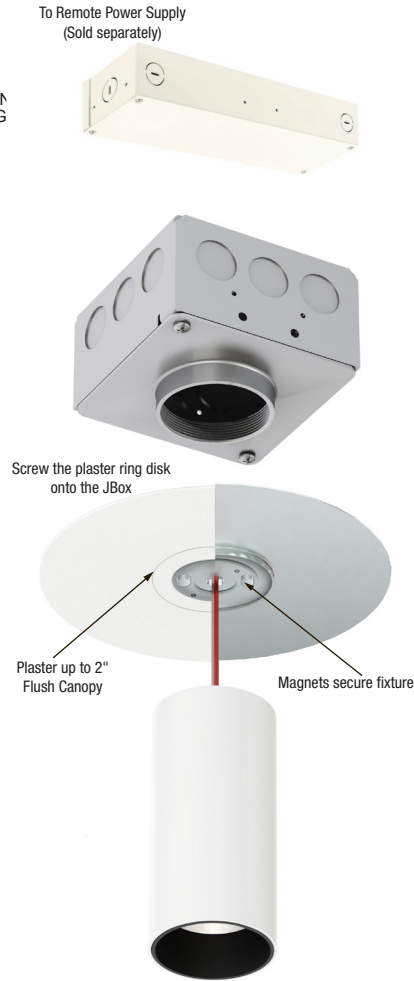
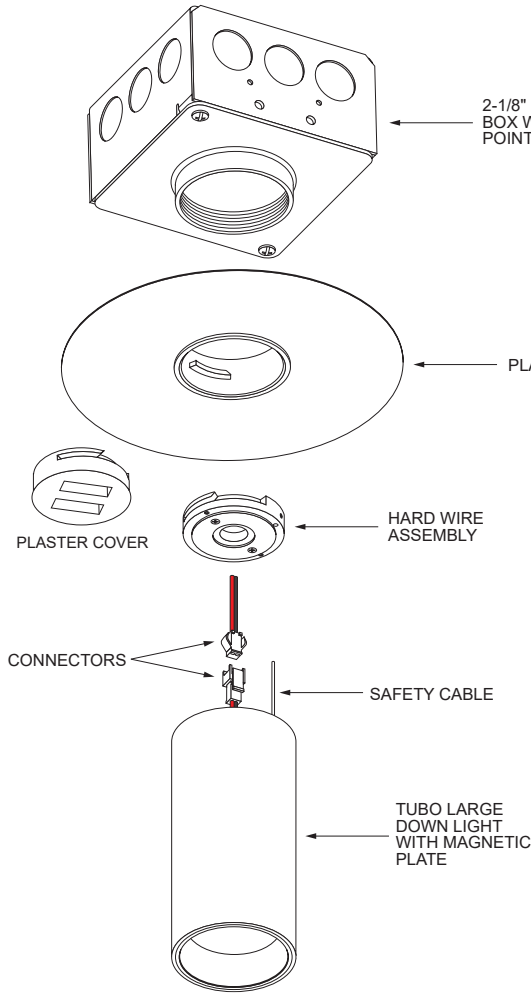
**BK** Black

**WH** White

PROJECT	FIXTURE TYPE	DATE
---------	--------------	------

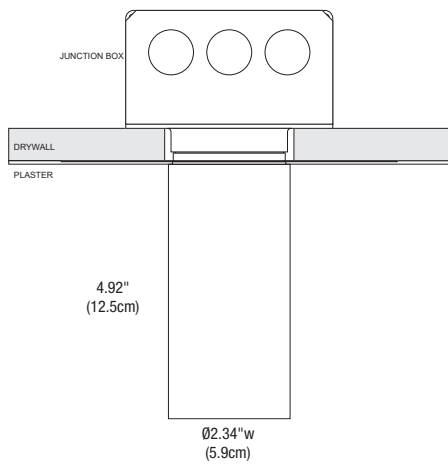
# VANISHING POINT TUBO LARGE DOWN LIGHT

LED 24VDC



**VR-HW24-TUBLD**  
Vanishing Point Flush to dry wall

**V2MP-HW24-TUBLD**  
Vanishing Point for Millwork



PROJECT		FIXTURE TYPE		DATE	
---------	--	--------------	--	------	--

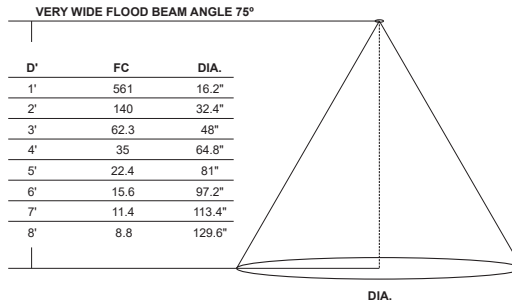
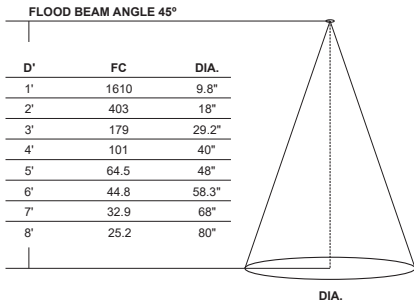
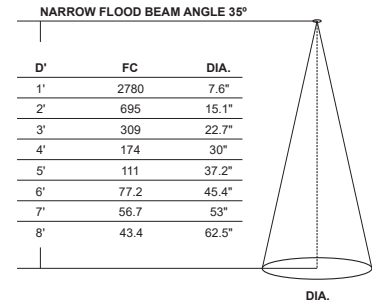
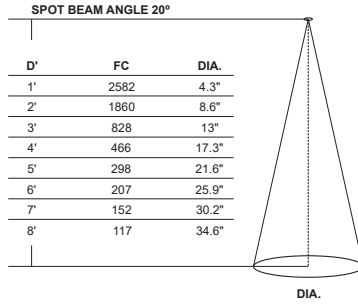
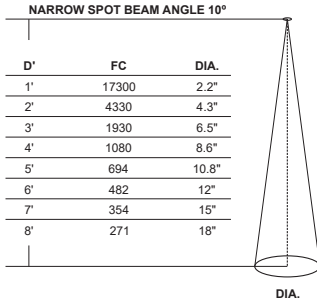
# VANISHING POINT TUBO LARGE DOWN LIGHT

LED 24VDC

## TUBO LARGE Photometric Data

REV 08.18.22

**D** - Distance from fixture  
**FC** - Initial foot candles at the center of beam  
**DIA** - Diameter



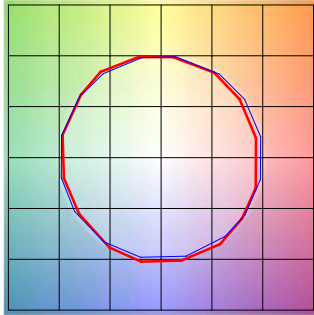
	TUBO LARGE LENS		SNOOT		LOUVER	FOCUS LENS	LINEAR SPREAD FILM
<b>ORDERING CODE</b>	<b>STATIC WHITE</b> LEN-TUBL-NS-SW LEN-TUBL-SP-SW LEN-TUBL-NF-SW LEN-TUBL-FL-SW LEN-TUBL-VW-SW	<b>WARM DIM</b> LEN-TUBL-NS-WD LEN-TUBL-SP-WD LEN-TUBL-NF-WD LEN-TUBL-FL-WD	<b>STB16-BK</b> STB16-WH (WHITE SHELL)	<b>ST16-BK</b> ST16-WH	L016-H	<b>LF-TUBL-SF (SOFT FOCUS),</b> <b>MF (MEDIUM FOCUS),</b> <b>WF (WIDE FOCUS)</b>	LF-TUBL-LS
<b>LENS SIZE</b>	2" (50mm) Diameter						
<b>BEAM SPREADS</b>	NS (10°), SP (20°), NF (35°) FL (45°), VW (75°)		Conical snoot creates a 7° Beam spread and is designed to reduce spill and control glare. Spun aluminum.	Snoot is designed to reduce spill and control glare. Spun aluminum.	Hexcell louver eliminates glare. 0.125" Thickness.	Soft focus lens is included with every track head. Diffuses the beam, providing uniform illumination.	Linear spread film: directs the light into an elongated beam. Typical applications using 10°, 15°, 25° include illuminating landscape oriented art. 35°, 40°, 60° create an elongated oval typically used for wall washing.

PROJECT		FIXTURE TYPE		DATE	
---------	--	--------------	--	------	--

**TM-30-15 DATA:** The data below is for Tubo. Consistent color temperatures among multiple track heads is possible through a 3 phase binning process in which each order is inspected with a color meter to ensure uniformity.

**2400K | Rf: 91.0 | Rg: 99.6**

Color Vector Graphic

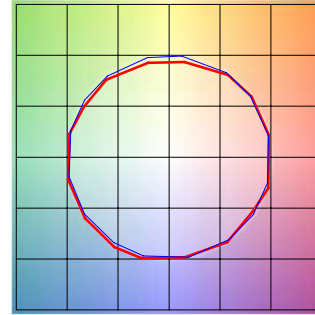


■ Test ■ Reference

		GRAPHIC SHIFTS %	
HUE BIN	Rf	CHROMA	HUE
1	90.1	-4.6%	-0.3%
2	90.6	-4.0%	2.7%
3	88.6	-1.6%	5.1%
4	93.1	-0.9%	2.7%
5	94.6	1.1%	3.3%
6	94.6	2.9%	1.0%
7	94.1	-0.2%	-2.7%
8	97.1	-0.9%	-1.2%
9	94.5	-2.4%	1.0%
10	90.3	-2.5%	4.5%
11	88.6	1.5%	7.1%
12	89.2	4.1%	1.5%
13	90.6	3.4%	-5.3%
14	84.5	3.5%	-8.9%
15	92.3	-0.5%	-4.7%
16	85.4	-2.9%	-9.4%

**2700K | Rf: 93.3 | Rg: 98.8**

Color Vector Graphic

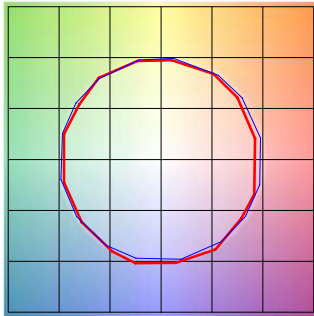


■ Test ■ Reference

		GRAPHIC SHIFTS %	
HUE BIN	Rf	CHROMA	HUE
1	95.9	0.3%	0.7%
2	95.5	0.6%	-2.0%
3	93.7	-0.8%	-2.8%
4	89.8	-5.2%	-4.0%
5	93.1	-5.2%	0.2%
6	93.9	-2.4%	2.9%
7	89.0	-3.1%	5.5%
8	93.6	0.5%	3.7%
9	92.9	1.2%	3.8%
10	92.7	2.0%	3.9%
11	93.7	3.2%	2.9%
12	93.7	2.7%	-1.8%
13	94.9	-0.7%	-3.4%
14	94.7	1.3%	-2.4%
15	92.9	-2.1%	2.0%
16	92.2	1.7%	-5.0%

**3000K | Rf: 90.5 | Rg: 98.0**

Color Vector Graphic

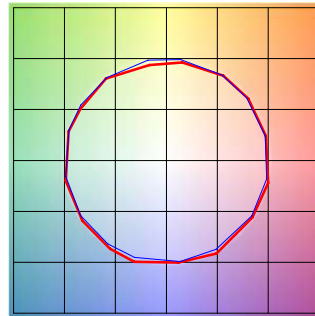


■ Test ■ Reference

		GRAPHIC SHIFTS %	
HUE BIN	Rf	CHROMA	HUE
1	88.7	-5.3%	0.5%
2	90.7	-3.6%	2.8%
3	89.4	-1.7%	4.6%
4	93.3	-2.1%	1.4%
5	94.6	-0.8%	2.2%
6	96.2	0.6%	-0.2%
7	92.5	-3.4%	-0.9%
8	96.4	-1.7%	0.5%
9	92.0	-2.4%	3.7%
10	87.3	-1.1%	7.1%
11	87.6	1.7%	8.2%
12	89.2	4.8%	0.4%
13	90.6	2.5%	-5.7%
14	86.7	3.3%	-9.0%
15	90.9	-2.4%	-3.9%
16	84.1	-3.5%	-10.3%

**3500K | Rf: 93.9 | Rg: 100.9**

Color Vector Graphic

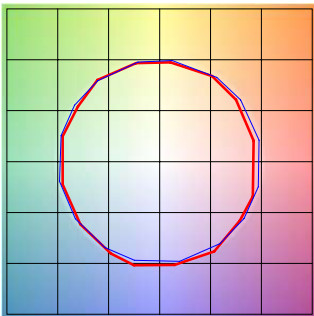


■ Test ■ Reference

		GRAPHIC SHIFTS %	
HUE BIN	Rf	CHROMA	HUE
1	95.7	0.6%	0.3%
2	96.7	0.8%	-1.2%
3	96.0	0.2%	-1.0%
4	94.3	-2.5%	-1.9%
5	93.2	-4.8%	-0.2%
6	97.1	-0.3%	1.4%
7	93.8	-1.7%	3.2%
8	97.3	0.2%	1.3%
9	93.3	0.8%	4.2%
10	91.4	1.4%	5.2%
11	90.6	2.8%	4.5%
12	92.6	4.4%	0.5%
13	96.3	0.7%	-1.9%
14	93.9	3.6%	-1.8%
15	92.4	1.2%	-0.9%
16	91.5	2.3%	-3.3%

**3000D | Rf: 90.5 | Rg: 98.0**

Color Vector Graphic



■ Test ■ Reference

		GRAPHIC SHIFTS %	
HUE BIN	Rf	CHROMA	HUE
1	88.7	-5.3%	0.5%
2	90.7	-3.6%	2.8%
3	89.4	-1.7%	4.6%
4	93.3	-2.1%	1.4%
5	94.6	-0.8%	2.2%
6	96.2	0.6%	-0.2%
7	92.5	-3.4%	-0.9%
8	96.4	-1.7%	0.5%
9	92.0	-2.4%	3.7%
10	87.3	-1.1%	7.1%
11	87.6	1.7%	8.2%
12	89.2	4.8%	0.4%
13	90.6	2.5%	-5.7%
14	86.7	3.3%	-9.0%
15	90.9	-2.4%	-3.9%
16	84.1	-3.5%	-10.3%

PROJECT		FIXTURE TYPE		DATE	
---------	--	--------------	--	------	--