

# VANISHING POINT 120VAC PENDANT CONNECTION CEILING CORD GRIP SYSTEM

DESIGNED BY GREGORY KAY | ASSEMBLED IN AMERICA | US PATENT PENDING

REV 07.15.22



**V-C120A-WH**  
Vanishing Point 0.2" Opening Plaster-In

## DESCRIPTION

The Vanishing Point 120VAC Pendant Connection System is a groundbreaking innovation, changing the way the world sees luminaires. The cord grip system is the only genuinely trimless and flush, allowing pendants to disappear into the ceiling. Mounting options available for both drywall and millwork ceilings, designed for 120VAC cord suspended fixtures. The epitome of refinement, the Vanishing Point Cord Connection System, eliminates the unattractive, bulky, and outdated canopy achieving a minimal and continuous architecture. Corded pendant/suspension fixtures sold separately. Patent Pending.

## DRYWALL MOUNTING

**V** - Drywall Plaster-in option has no visible canopy outline, fixture cord vanishes in to the ceiling. Pendant/Fixtures sold separately.

**C120A** - 0.25" diameter opening for cord, accommodates fixtures up to 5lb

**C120B** - 0.25" diameter opening for fixtures with cord and 1/16 Aircraft cable, accommodates fixtures up to 10lbs

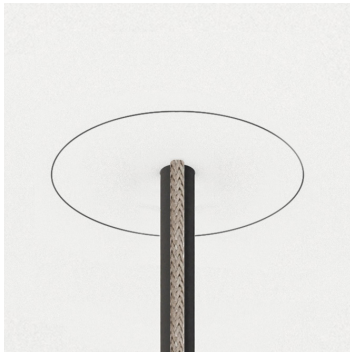
## MILLWORK MOUNTING

**V2M** - Connection point at ceiling 2.0" canopy sits flush in Millwork ceilings for a clean look. Pendant/Fixtures sold separately.

## APPLICATIONS

Designed for indoor use only. Ideal applications in residential, commercial, retail and hospitality environments include not limited to kitchens, living rooms, dining rooms, offices, conference rooms, architectural spaces, lobbies, large-scale public spaces, hotels, restaurants and luxury health spas.

## FINISHES



**V-C120B-WH**  
Vanishing Point 2" Flush, Magnetic Canopy for drywall. For fixtures with 0.3" cord and aircraft cable.

## WARRANTY / LABELS

Pro-rated 5 year warranty. Assembled in America

ETL, CSA Listed

\*Install any UL, ETL or CSA Cord Listed pendant fixture with 2 or 3 #18 gauge wires, 120V.



**V2M-C120A-BZ**  
Vanishing Point 2" Flush Canopy for Millwork ceilings.



System	Type/Voltage	Finish
<b>V</b>	<b>C120A</b>	<b>WH</b>
<p><b>V</b> Vanishing Point Drywall Plaster-in and paint plate, no visible canopy outline on the surface, fixture cord vanishes in to the ceiling. 120 volt pendant fixture supplied by other</p> <p><b>V2M</b> Vanishing Point 2.0" Flush, Magnetic Canopy. 120 volt pendant fixture supplied by other</p>	<p><b>C120A</b> For .25" Cord Diameters. 5lb maximum.</p> <p><b>C120B</b> For .25" Cord with 1/16" Cable Diameters. 10 lb maximum.</p>	<p><b>BK</b> Satin Black</p> <p><b>BZ</b> Antique Bronze</p> <p><b>SN</b> Satin Nickel</p> <p><b>WH</b> White</p>

PROJECT	FIXTURE TYPE	DATE
---------	--------------	------

# VANISHING POINT 120VAC PENDANT CONNECTION CEILING CORD GRIP SYSTEM

REV 07.15.22



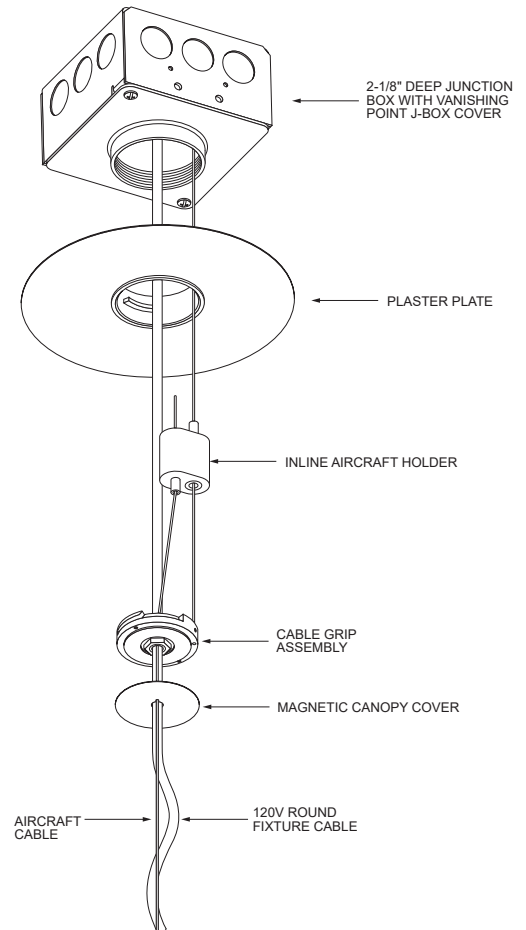
**V-C120A-WH**  
Vanishing Point Plaster-in and paint plate with 0.3" diameter opening



**V-C120B-WH**  
Vanishing Point Plaster-in and paint plate with 0.3" diameter opening for cords with aircraft cables.



**V2M-C120A-BZ**  
Vanishing Point for Millwork with 0.3" diameter opening and 2" flush canopy



\*Install any UL, ETL or CSA Cord Listed pendant fixture with 2 or 3 #18 gauge wires, 120V.

PROJECT	FIXTURE TYPE	DATE
---------	--------------	------