



VR

Vanishing Point .5" Opening Plaster-In, Remote Power supply (Order separately)



V2MR

Vanishing Point 2" Flush Canopy for Millwork, Remote Power supply (Order separately)

DESCRIPTION

The Vanishing Point Tubo Large Plaster-In System with integrated LED. Offered in two distinct mounting options for drywall and millwork, the Vanishing Point achieves the most minimal connection producing a refined and continuous architecture in any environment. Offered in multiple beam spreads that can be changed in the field. You may feed up to 6 Tubo Large fixtures, with our 24VDC, Class 2 remote power supply. Patent Pending.

DRYWALL APPLICATIONS (PLASTER-IN)

VR - No visible canopy line, just the small (0.5") point of connection where the Fast Jack disappears into the ceiling. 24V remote power supply (Order Separately).

MILLWORK APPLICATIONS

V2MR - Connection point at ceiling 2.0" canopy sits flush in Millwork for a clean look. 24V remote power supply (order separately).

SPECIFICATIONS

- Input Voltage 120VAC/24VDC
- Power Consumption: 14 watts
- Construction: Die Cast Aluminum
- Dimensions: Ø 2.34" Height 4.92"
- Color Rendering: COB Chromaticity range within a 2-step MacAdam Ellipse
- Average LED life: 60,000 hrs

REMOTE POWER SUPPLIES*, DIMMERS & CONTROLS (SOLD SEPARATELY) 24VDC, CLASS 2 WIRING

- [Pure Smart™ WiZ Pro Power Supplies & Controls](#)
 - [UNI Driver: Universal Dimming \(TRIAC, ELV, 0-10V\)](#)
- *In-Wall Mounting and drop ceiling Kits available for select power supplies

APPLICATIONS

Designed for indoor use only in drywall and millwork. Ideal applications in Commercial, Retail, Residential, Hospitality, Education, and Healthcare Institutions.

LAMPING

	BEAM ANGLE REFERENCE 45°				
COLOR TEMPERATURE	24K	27K	30K	30D	35K
TOTAL LUMENS	1238	1035	1069	683	1268
WATTS	14	14	14	14	14
LUMENS PER WATT (lm/w)	88	74	76	49	91
CRI	97	92	91	97	98
TM-30 DATA	R9: 60 Rf: 93 Rg: 98	R9: 97 Rf: 92 Rg: 100	R9: 64 Rf: 91 Rg: 98	R9: 90 Rf: 95 Rg: 102	R9: 92 Rf: 94 Rg: 101
LAMP LIFE	60,000 Hours, 70% Lumen Maintenance				

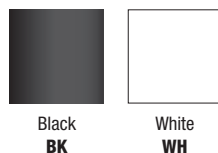
ACCESSORIES

Field changeable lenses in **NS** (10°), **SP** (20°), **NF** (35°), **FL** (45°), **VW** (75°) beam spread options

WARRANTY / LABELS

Pro-rated 5 year warranty. Assembled in America, RoHS, ETL (Conforms to UL1598 and CSA 22.2 #250.0) *Title24 JA8 listed with universal power supplies in 27K> CCT, Click the link to access our full Title 24 compliance listings: pureedgelighting.com/resources.

FINISH



Black
BK

White
WH



VR Vanishing Point Drywall Plaster-in with .5" opening with Remote Power supply (order separately)
V2MR Vanishing Point 2" Flush canopy for Millwork, with Remote Power supply (ordered separately)

TUBL Tubo Large

NS Narrow Spot 10°
SP Spot 20°
NF Narrow Flood 35°
FL Flood 45°
VW Very Wide Flood 75°

For 7° use STB16-BK snoot with NS

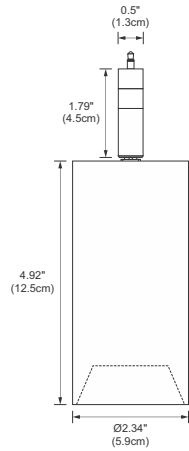
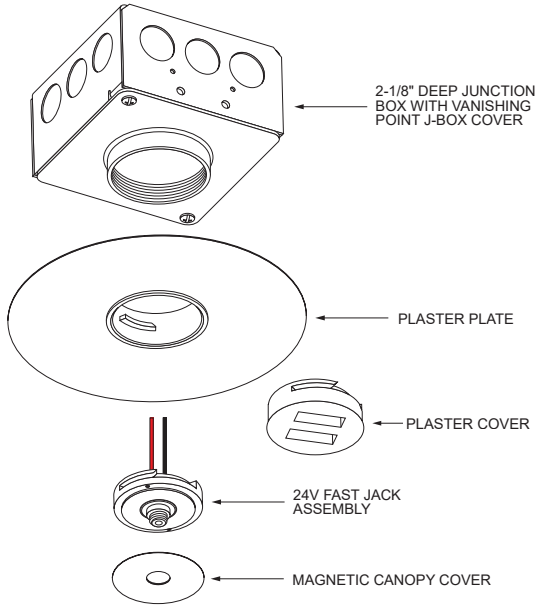
24K 2400K Very Warm White
27K 2700K Incandescent White
30K 3000K Warm White*
30D 3000K Warm Dim
35K 3500K Neutral White

*Not available in VW
30D NS: 7.5W, 400 lumens

BK Black
WH White

PROJECT	FIXTURE TYPE	DATE
---------	--------------	------

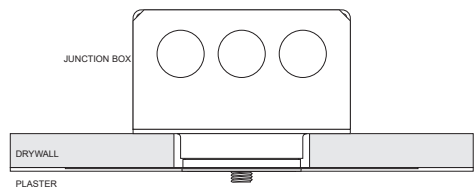
VANISHING POINT TUBO LARGE LED 24VDC



VR
Vanishing Point Plaster-in Flush to drywall with Remote Power (Sold separately)



V2MR
Vanishing Point 2\"/>




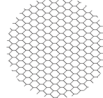




PROJECT	FIXTURE TYPE	DATE

VANISHING POINT TUBO LARGE

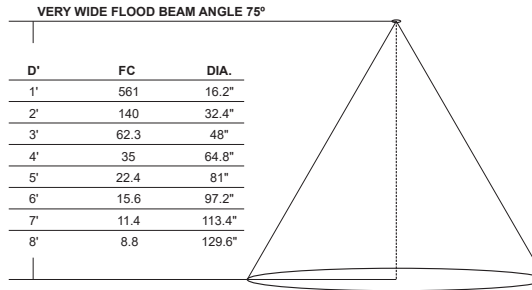
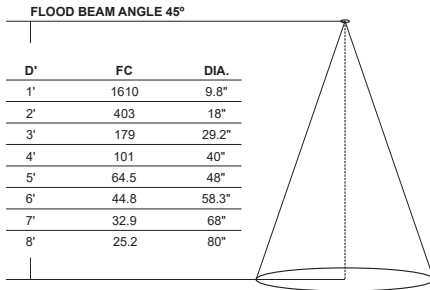
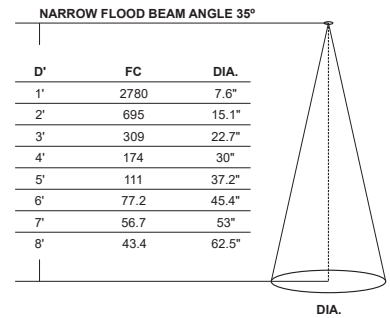
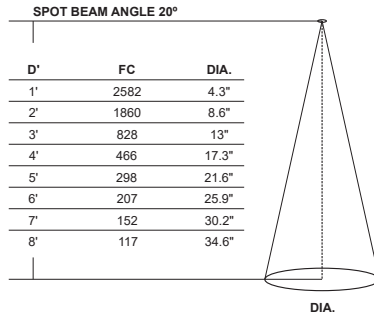
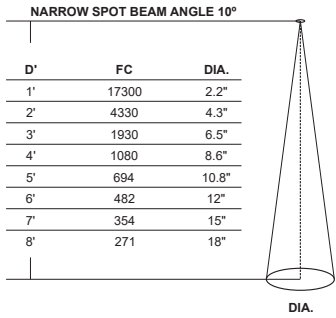
LED 24VDC

REV 08.01.22

TUBO LARGE LENS		SNOOT		LOUVER	FOCUS LENS	LINEAR SPREAD FILM
						
ORDERING CODE	<p>STATIC WHITE LEN-TUBL-NS-SW LEN-TUBL-SP-SW LEN-TUBL-NF-SW LEN-TUBL-FL-SW LEN-TUBL-VW-SW</p> <p>WARM DIM LEN-TUBL-NS-WD LEN-TUBL-SP-WD LEN-TUBL-NF-WD LEN-TUBL-FL-WD</p>	STB16-BK STB16-WH (WHITE SHELL)	ST16-BK ST16-WH	L016-H	LF-TUBL-SF (SOFT FOCUS), MF (MEDIUM FOCUS), WF (WIDE FOCUS)	LF-TUBL-LS
LENS SIZE	2" (50mm) Diameter					
BEAM SPREADS	NS (10°), SP (20°), NF (35°) FL (45°), VW (75°)	Conical snoot creates a 7° Beam spread and is designed to reduce spill and control glare. Spun aluminum.	Snoot is designed to reduce spill and control glare. Spun aluminum.	Hexcell louver eliminates glare. 0.125" Thickness.	Soft focus lens is included with every track head. Diffuses the beam, providing uniform illumination.	Linear spread film: directs the light into an elongated beam. Typical applications using 10°, 15°, 25° include illuminating landscape oriented art. 35°, 40°, 60° create an elongated oval typically used for wall washing.

TUBO LARGE Photometric Data at 3000K CCT

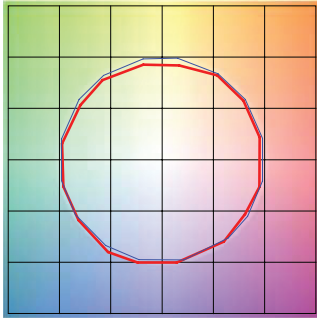
D - Distance from fixture
FC - Initial foot candles at the center of beam
DIA - Diameter



PROJECT		FIXTURE TYPE		DATE	
---------	--	--------------	--	------	--

TM-30-15 DATA: The data below is for Tubo. Consistent color temperatures among multiple track heads is possible through a 3 phase binning process in which each order is inspected with a color meter to ensure uniformity.

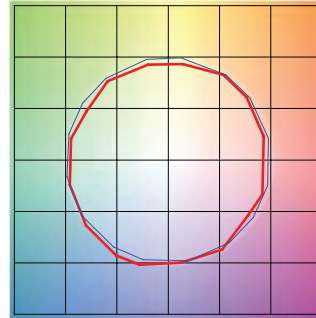
2400K | Rf: 91.2 | Rg: 96.8
Color Vector Graphic



■ Test ■ Reference

HUE BIN	Rf	GRAPHIC SHIFTS %	
		CHROMA	HUE
1	92.0	-2.4%	1.5%
2	94.7	-2.1%	0.0%
3	95.4	-1.9%	-0.1%
4	88.7	-6.7%	-3.1%
5	92.8	-5.6%	1.0%
6	92.7	-3.4%	3.4%
7	89.9	-4.3%	4.1%
8	92.4	-1.4%	4.4%
9	89.0	-0.6%	5.8%
10	88.9	0.4%	6.2%
11	89.7	4.0%	5.4%
12	92.6	3.0%	-0.7%
13	90.9	1.1%	-7.0%
14	89.9	0.5%	-5.8%
15	92.1	-3.2%	0.1%
16	88.9	-1.7%	-6.3%

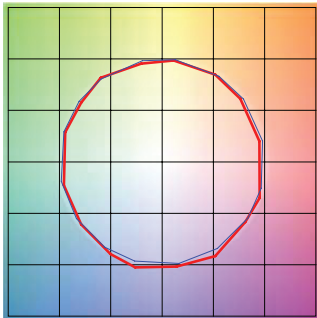
2700K | Rf: 87.7 | Rg: 96.1
Color Vector Graphic



■ Test ■ Reference

HUE BIN	Rf	GRAPHIC SHIFTS %	
		CHROMA	HUE
1	88.0	-4.3%	2.6%
2	91.6	-2.4%	2.0%
3	93.7	-1.4%	1.9%
4	88.9	-5.6%	-3.1%
5	92.3	-5.5%	-0.5%
6	92.9	-3.5%	0.1%
7	84.5	-7.5%	4.6%
8	90.8	-3.0%	4.4%
9	84.5	-1.3%	8.3%
10	83.9	2.0%	9.8%
11	87.2	5.3%	7.1%
12	89.2	5.4%	-2.6%
13	88.7	0.3%	-7.8%
14	86.8	1.7%	-9.3%
15	87.6	-5.4%	-1.3%
16	83.6	-3.3%	-9.5%

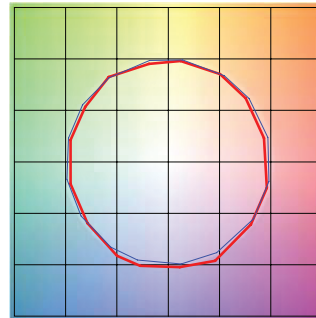
3000K | Rf: 88.1 | Rg: 99.7
Color Vector Graphic



■ Test ■ Reference

HUE BIN	Rf	GRAPHIC SHIFTS %	
		CHROMA	HUE
1	92.5	-3.1%	0.3%
2	93.3	-2.3%	1.9%
3	90.9	-0.8%	3.9%
4	94.3	-1.1%	1.4%
5	92.5	-2.6%	1.5%
6	96.4	1.2%	-0.3%
7	92.6	-2.5%	-0.0%
8	96.9	-1.4%	0.2%
9	92.3	-1.8%	4.3%
10	86.6	-0.7%	7.0%
11	86.5	2.4%	8.2%
12	89.8	5.9%	1.7%
13	93.9	2.6%	-2.7%
14	89.4	5.1%	-5.8%
15	90.1	-0.1%	-4.7%
16	86.5	0.3%	-9.7%

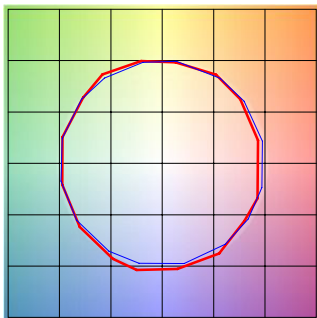
3500K | Rf: 86.1 | Rg: 95.5
Color Vector Graphic



■ Test ■ Reference

HUE BIN	Rf	GRAPHIC SHIFTS %	
		CHROMA	HUE
1	90.8	-3.8%	0.3%
2	92.3	-2.8%	2.1%
3	89.7	-1.0%	4.3%
4	92.6	-1.4%	1.7%
5	91.8	-3.1%	1.3%
6	96.2	0.8%	-0.4%
7	92.9	-3.2%	0.2%
8	94.3	-2.5%	1.5%
9	90.4	-2.5%	5.2%
10	84.3	-1.4%	9.5%
11	83.1	3.5%	9.8%
12	88.2	4.8%	3.4%
13	94.0	2.7%	-2.0%
14	88.7	5.9%	-5.8%
15	88.7	0.7%	-5.9%
16	86.8	-0.7%	-6.7%

3000D | Rf: 89.8 | Rg: 101.4
Color Vector Graphic



■ Test ■ Reference

HUE BIN	Rf	GRAPHIC SHIFTS %	
		CHROMA	HUE
1	90.2	-4.2%	1.5%
2	90.9	-2.0%	3.7%
3	87.9	0.8%	5.5%
4	92.1	-0.9%	0.6%
5	93.0	1.5%	1.6%
6	92.2	3.9%	-0.2%
7	92.1	-0.3%	-2.0%
8	96.7	0.0%	-1.2%
9	92.5	-0.6%	3.7%
10	88.3	1.1%	7.0%
11	87.2	4.1%	7.4%
12	87.2	6.7%	-1.0%
13	88.2	3.8%	-7.2%
14	85.3	4.3%	-9.9%
15	90.9	-2.2%	-3.6%
16	83.4	-2.2%	-11.2%

PROJECT	FIXTURE TYPE	DATE
---------	--------------	------