

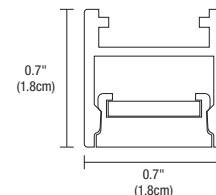
ZIPP CEILING REMOTE POWER

DESIGNED BY GREGORY KAY | ASSEMBLED IN AMERICA

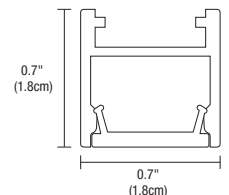
REV 12.14.21



DIFFUSED WHITE LENS
(ACTUAL SIZE)



CHANNEL WITH LOUVER
(ACTUAL SIZE)



CHANNEL WITHOUT LOUVER
(ACTUAL SIZE)

DESCRIPTION

Zipp Ceiling Downlight with Remote Power is a linear LED fixture that offers spot-free, direct light in a clean, contemporary style. Zipp is available in various increments from 12"-480" (40'), a 100° beam spread Lens, optional Louver, and a variety of finishes with Warm Dim, Tunable White, and RGB options. Fixture includes a 5 year warranty. For custom designs and quotes, send drawings to design@PureEdgeLighting.com.

FEATURES & BENEFITS

- **Low Profile:** 0.7" square channel
- **Length Options:** 12" to 480" (40')
- **3 Wattage Options:** 2, 5 or 7 watts/ft
- **High Lumen Output:** Up to 911 lm/ft
- **4 Finishes:** Satin Nickel, Black, White, Chrome. Call for custom.
- **2 Lens Options:** 100° Diffused White Lens and 60° Clear Frosted Lens
- **Louver Option:** Black

INSTALLATION

- Mounts to a Standard Junction Box, pre-wired from a 60 Watt Non-IC (50W-IC) Power Supply that fits in the ceiling electrical Junction Box or from a Remote Power Supply up to 100 Watts at a maximum 40' away
- Includes your choice of Canopy (1R, 1" Rectangle or 4S, 4.6" Square)
- Includes Ceiling Locking Clips (for support every 4')
- Power Supply, sold separately

PURE MODULAR LED STRIP

WATTS PER FOOT	LUMENS		85+CRI 22K, 24K, 35K, 40K, 57K	95+CRI 2K6K	92+CRI 27D, 30D	95+CRI 27K, 30K	RGB	RGB+W
	PER WATT	PER FOOT						
5WDC (4.4WDC)	89	392	•	•	•	•	•	
6WDC (6.3 WDC RGB+W)	60	378	•					•
7WDC (7.3WDC)	104	782	•					

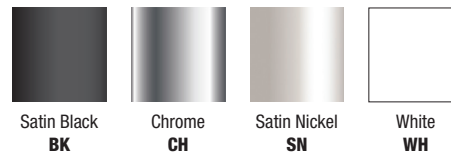
Lumen values are based on the 3000K LED test.

STOMP STRIP LED STRIP

WATTS PER FOOT	LUMENS		85+CRI 22K, 24K, 35K, 40K, 57K	95+CRI 2K6K	92+CRI 27D, 30D	95+CRI 27K, 30K	RGB	RGB+W
	PER WATT	PER FOOT						
5WDC (4.4WDC)	89	392	•	•	•	•	•	
6WDC (6.3 WDC RGB+W)	60	378	•					•
7WDC (7.3WDC)	104	782	•					

Lumen values are based on the 3000K LED test.

FINISHES



LENS

- Available in a Diffused White Lens with 100° beam spread or Clear Frosted Lens with 60° beam spread
- Optional Black Louver available for both lenses

LAMPING

- Choose from 12 color temperatures: 22K-57K, RGB, RGB+W, Warm Dim (**27D and 30D**) and Dynamic/Tunable White (**2K6K or 27K6**)
- Designer Grade High CRI 95+ LEDs
- Average Lamp Life 60,000 hours

REMOTE POWER SUPPLIES*, DIMMERS & CONTROLS (SOLD SEPARATELY)

24VDC, Class 2 wiring

Static White & Warm Dim

- **UNI Driver: Universal Dimming (TRIAC, ELV, 0-10V)**
- **Lutron Hi-Lume/Ecosystem**
- **Electronic Low Voltage (ELV)†** 50W IC or 60W Non-IC (fits inside junction box)

*In-Wall Mounting and drop ceiling Kits available for select power supplies

†ELV power supplies are not compatible with nLight, use only Universal power supplies

**ELV only where applicable

Tunable White

- **0-10V:** Requires two dimmers, one for intensity and one for color temperature
- **DMX Dynamic Color Changing:** Must be used with PureEdge [Controllers](#)

*In-Wall Mounting and drop ceiling Kits available for select power supplies

RGB/RGB+W

- **DMX Dynamic Color Changing**
- **Controllers**

*In-Wall Mounting and drop ceiling Kits available for select power supplies

APPLICATIONS

Designed for indoor use only. Ideal environments include general illumination and architectural accenting at top of ceilings in Residential, Hospitality, Retail, and Commercial applications.

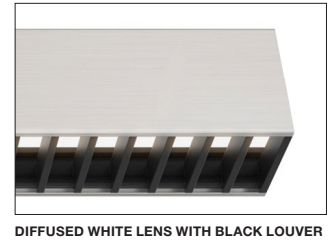
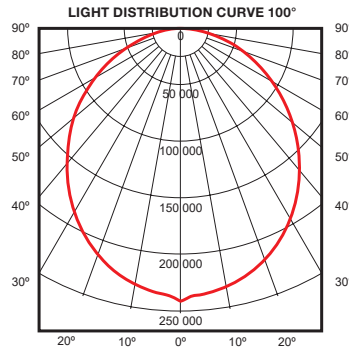
APPROVALS

Damp Location, Class 2 wiring, ETL Listed

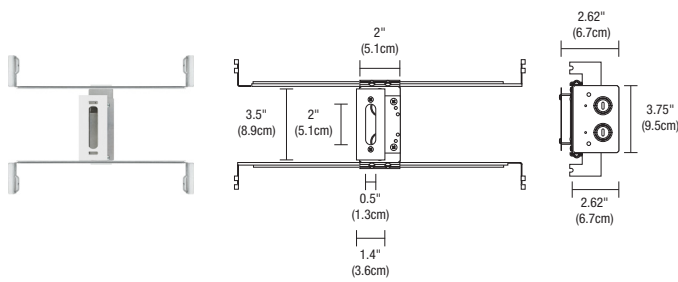
System	Wattage Per Foot	Canopy Type	Nominal Size	Color Temperature	Finish
ZCD	5W	1R	480	22K	SN
ZCD Zipp Ceiling, Diffused White 100° Lens, without Louver	2W 2.5 Watts (480" Max, 40')	1R 1" Rectangle with Junction Box	12-480 Order in various increments from 12"-480"	22K 2200K Candle White	BK Satin Black
ZCDB Zipp Ceiling, Diffused White 100° Lens, with Black Louver	5W 4.4 Watts (240" Max, 20')	4S 4.6" Square Canopy		24K 2400K Very Warm White	CH Chrome
ZCCB Zipp Ceiling, Clear Frosted 60° Lens, with Black Louver	7W 7.5 Watts (144" Max, 12')		*Chrome shipping maximum length: 84". SN, BK, WH: 120"	27K 2700K Incandescent White	SN Satin Nickel
				27D 2700K Warm Dim (5W only)	WH White
				30K 3000K Warm White (Halogen)	
				30D 3000K Warm Dim (Halogen, 5W only)	
				35K 3500K Neutral White	
				40K 4000K Cool White	
				57K 5700K Daylight White	
				2K6K 2000K-4000K Tunable White (5W only, 20' max)	
				27K6 Tunable White 2700K-6500K (5W only)	
				RGB Red, Green and Blue (5W only, 20' max, 100W)	
				RGBW Red, Green, Blue and White (5W only)	

PROJECT		FIXTURE TYPE		DATE	
---------	--	--------------	--	------	--

5W DIFFUSED WHITE			
Distance	Foot Candles, 5W	Beam Width Vertical Spread 101.1°	Beam Width Horizontal Spread 94.7°
1.7'	120fc	4.1'	3.9'
3.3'	39fc	8'	7.5'
5'	16fc	12.1'	11.4'
6.7'	10fc	16.3'	15.3'
8.3'	6fc	20.2'	18.9'
10'	4fc	24.3'	22.8'

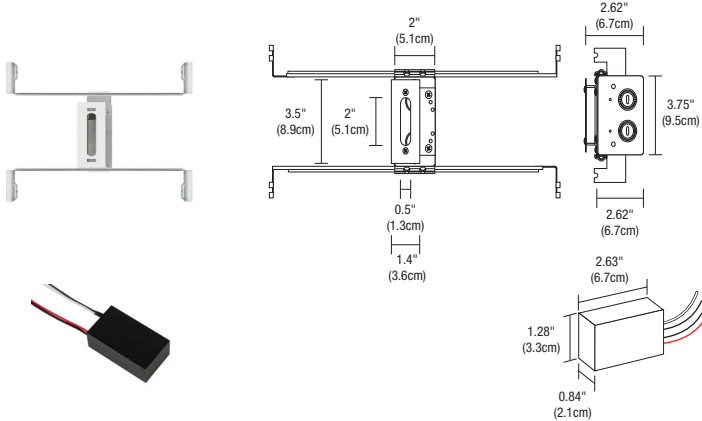
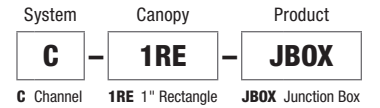


COMPONENTS: Jbox, Split Canopies, and Mounting Clips are included and sold separately for replacement



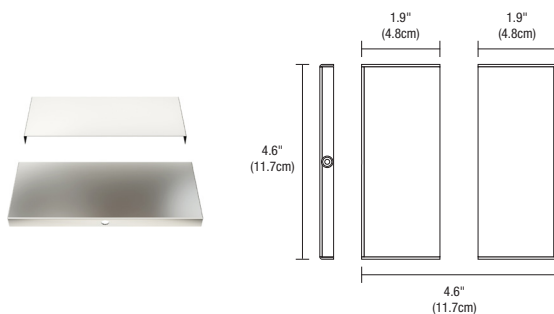
1" RECTANGLE CANOPY & J-BOX (INCLUDED WITH 1R SELECTED IN FIXTURE ORDERING CODE)

The Slim-Profile Junction Box with Hanger Bars mounts to studs spaced between 14.5" and 25" apart behind drywall. Allows low voltage DC wires from Remote Power Supply to connect to channel wires. The Junction Box opening is covered by the fixture for a clean, safe connection. Includes a Goof Plate, for poor plastering around J-box.



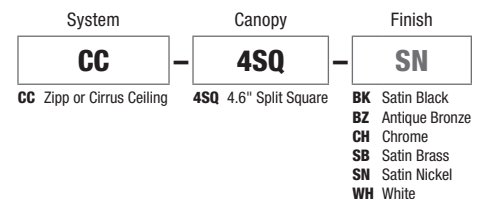
1" RECTANGLE CANOPY & J-BOX WITH 50W POWER SUPPLY (ORDER SEPARATELY)

The Slim-Profile Junction Box with Hanger Bars mounts to studs spaced between 14.5" and 25" apart behind drywall. Allows low voltage DC wires from included power supply to connect to channel wires. The Junction Box opening is covered by the fixture for a clean, safe connection. Rated 60 watts for Non-Insulated Ceiling or Wall Power Supply. Rated 50 watts for Insulated Ceiling. Includes a Goof Plate, for poor plastering around J-box.



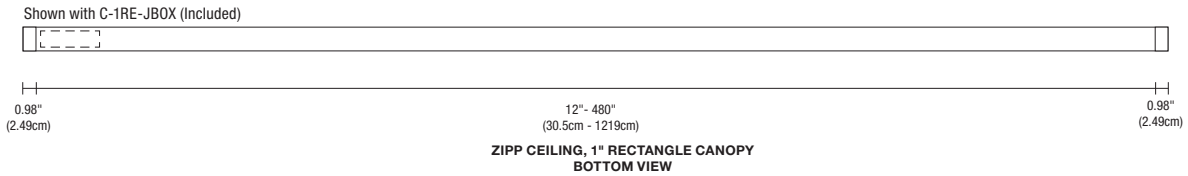
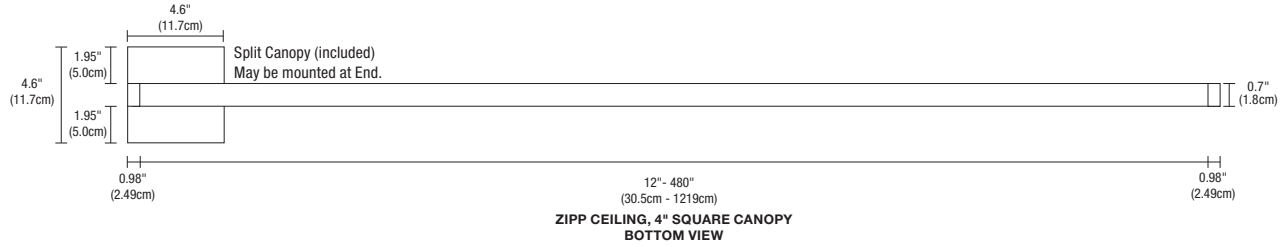
4" SQUARE SPLIT CANOPY (INCLUDED WITH 4S SELECTED IN FIXTURE ORDERING CODE)

The 4" Square Canopy fits on a standard 4" electrical box with round plaster ring. It fits flush along channel while covering Junction Box. The Canopy may float anywhere along the channel and comes in six finishes.

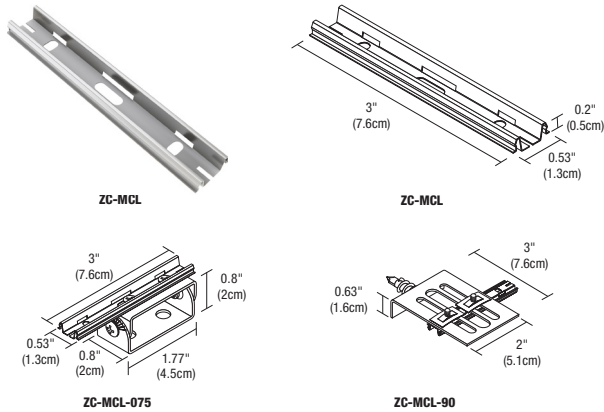


PROJECT	FIXTURE TYPE	DATE
---------	--------------	------

DRAWINGS Drawings are shown with the 4" Square Canopy and the 1" Rectangle Canopy



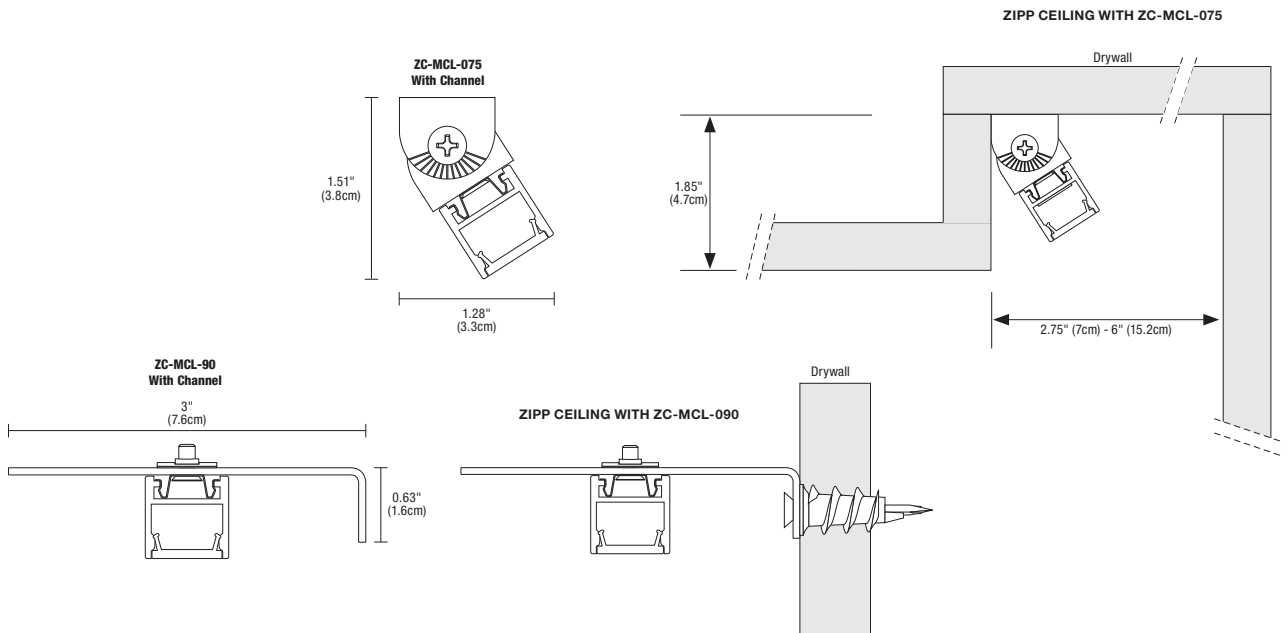
ADJUSTABLE MOUNTING CLIP Using the Adjustable Mounting Clip allows you to mount the Channel on the ceiling at various angles



MOUNTING CLIPS

ZC-MCL Mounting Clips are provided with every 2' of Zipp Channel and may be ordered separately as replacement parts. The ZC-MCL-075 rotates Light Channel up to 75°. ZC-MCL-90 mounts Light Channel at a 90° angle.

System	Product	Type
ZC	MCL	STANDARD (LEAVE BLANK)
ZC Zipp Channel	MCL Mounting Clip	075 Adjusts 0-75° 90 Adjusts 90°



PROJECT	FIXTURE TYPE	DATE
---------	--------------	------

LENGTH CHART Actual lengths for Zipp Ceiling

22K, 24K, 27K, 30K, 35K, 40K, 2K6K & RGB											
Ordering Code (Nominal Size)	Actual Length (Inches)	Actual Length (Chrome)	Ordering Code (Nominal Size)	Actual Length (Inches)	Actual Length (Chrome)	Ordering Code (Nominal Size)	Actual Length (Inches)	Actual Length (Chrome)	Ordering Code (Nominal Size)	Actual Length (Inches)	Actual Length (Chrome)
12	13.1	13.1	168	169.5	169.5	324	325.9	326.3	480	482.2	483.0
15	15.5	15.5	171	171.9	172.3	327	328.3	328.7			
17	17.9	17.9	173	174.3	174.7	329	330.7	331.1			
20	20.3	20.3	176	176.7	177.1	332	333.1	333.5			
22	22.7	22.7	178	179.1	179.5	334	335.5	335.9			
24	25.1	25.1	180	181.5	181.9	336	337.9	338.3			
27	27.5	27.5	183	183.9	184.3	339	340.3	341.1			
29	29.9	29.9	185	186.3	186.7	341	342.7	343.5			
32	32.3	32.3	188	188.7	189.1	344	345.0	345.9			
34	34.7	34.7	190	191.1	191.5	346	347.4	348.3			
36	37.1	37.1	192	193.5	193.9	348	349.8	350.7			
39	39.5	39.5	195	195.9	196.3	351	352.2	353.0			
41	41.9	41.9	197	198.3	198.7	353	354.6	355.4			
44	44.3	44.3	200	200.7	201.1	356	357.0	357.8			
46	46.7	46.7	202	203.1	203.5	358	359.4	360.2			
48	49.1	49.1	204	205.5	205.9	360	361.8	362.6			
51	51.5	51.5	207	207.9	208.3	363	364.6	365.0			
53	53.9	53.9	209	210.3	210.7	365	367.0	367.4			
56	56.3	56.3	212	212.7	213.1	368	369.4	369.8			
58	58.7	58.7	214	215.1	215.5	370	371.8	372.2			
60	61.1	61.1	216	217.5	217.9	372	374.2	374.6			
63	63.5	63.5	219	219.9	220.3	375	376.6	377.0			
65	65.9	65.9	221	222.3	222.7	377	379.0	379.4			
68	68.3	68.3	224	224.7	225.1	380	381.4	381.8			
70	70.7	70.7	226	227.1	227.5	382	383.8	384.2			
72	73.1	73.1	228	229.5	229.9	384	386.2	386.6			
75	75.5	75.5	231	231.9	232.3	387	388.6	389.0			
77	77.9	77.9	233	234.3	234.7	389	391.0	391.4			
80	80.3	80.3	236	236.7	237.1	392	393.4	393.8			
82	82.7	82.7	238	239.1	239.5	394	395.8	396.2			
84	85.1	85.1	240 (2K6K & RGB max)	241.5	241.9	396	398.2	398.6			
87	87.5	87.9	243	244.3	244.3	399	400.6	401.0			
89	89.9	90.3	245	246.7	246.7	401	403.0	403.4			
92	92.3	92.7	248	249.1	249.1	404	405.4	405.8			
94	94.7	95.1	250	251.5	251.5	406	407.8	408.2			
96	97.1	97.5	252	253.9	253.9	408	410.2	410.6			
99	99.5	99.9	255	256.3	256.7	411	412.6	413.0			
101	101.9	102.3	257	258.7	259.1	413	415.0	415.4			
104	104.3	104.7	260	261.1	261.5	416	417.4	417.8			
106	106.7	107.1	262	263.5	263.9	418	419.8	420.2			
108	109.1	109.5	264	265.9	266.3	420	422.2	422.6			
111	111.5	111.9	267	268.3	268.7	423	424.6	425.4			
113	113.9	114.3	269	270.7	271.1	425	427.0	427.8			
116	116.3	116.7	272	273.1	273.5	428	429.4	430.2			
118	118.7	119.1	274	275.5	275.9	430	431.8	432.6			
120	121.1	121.5	276	277.9	278.3	432	434.2	435.0			
123	123.9	123.9	279	280.3	280.7	435	436.6	437.4			
125	126.3	126.3	281	282.7	283.1	437	439.0	439.8			
128	128.7	128.7	284	285.1	285.5	440	441.4	442.2			
130	131.1	131.1	286	287.5	287.9	442	443.8	444.6			
132	133.5	133.5	288	289.9	290.3	444	446.2	447.0			
135	135.9	135.9	291	292.3	292.7	447	448.6	449.4			
137	138.3	138.3	293	294.7	295.1	449	451.0	451.8			
140	140.7	140.7	296	297.1	297.5	452	453.4	454.2			
142	143.1	143.1	298	299.5	299.9	454	455.8	456.6			
144	145.5	145.5	300	301.9	302.3	456	458.2	459.0			
147	147.9	147.9	303	304.3	304.7	459	460.6	461.4			
149	150.3	150.3	305	306.7	307.1	461	463.0	463.8			
152	152.7	152.7	308	309.1	309.5	464	465.4	466.2			
154	155.1	155.1	310	311.5	311.9	466	467.8	468.6			
156	157.5	157.5	312	313.9	314.3	468	470.2	471.0			
159	159.9	159.9	315	316.3	316.7	471	472.6	473.4			
161	162.3	162.3	317	318.7	319.1	473	475.0	475.8			
164	164.7	164.7	320	321.1	321.5	476	477.4	478.2			
166	167.1	167.1	322	323.5	323.9	478	479.8	480.6			

PROJECT		FIXTURE TYPE		DATE	
---------	--	--------------	--	------	--

LENGTH CHART Actual lengths for Zipp Ceiling

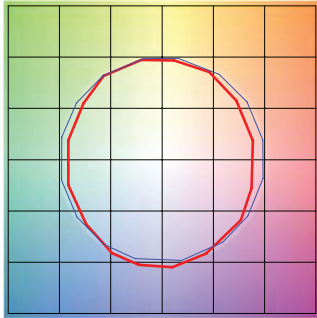
27D & 30D								
Ordering Code (Nominal Size)	Actual Length (Inches)	Actual Length (Chrome)	Ordering Code (Nominal Size)	Actual Length (Inches)	Actual Length (Chrome)	Ordering Code (Nominal Size)	Actual Length (Inches)	Actual Length (Chrome)
12	13.1	13.1	150	151.5	151.5	288	289.5	290.3
15	16.1	16.1	153	154.5	154.5	291	292.5	293.3
18	19.1	19.1	156	157.5	157.5	294	295.5	296.3
21	22.1	22.1	159	160.5	160.5	297	298.5	299.3
24	25.1	25.1	162	163.5	163.5	300	301.5	302.3
27	28.1	28.1	165	166.5	166.5	303	304.5	305.3
30	31.1	31.1	168	169.5	169.5	306	307.5	308.3
33	34.1	34.1	171	172.5	172.9	309	310.5	311.3
36	37.1	37.1	174	175.5	175.9	312	313.5	314.3
39	40.1	40.1	177	178.5	178.9	315	316.5	317.3
42	43.1	43.1	180	181.5	181.9	318	319.5	320.3
45	46.1	46.1	183	184.5	184.9	321	322.5	323.3
48	49.1	49.1	186	187.5	187.9	324	325.5	326.3
51	52.1	52.1	189	190.5	190.9	327	328.5	329.3
54	55.1	55.1	192	193.5	193.9	330	331.5	332.3
57	58.1	58.1	195	196.5	196.9	333	334.5	335.3
60	61.1	61.1	198	199.5	199.9	336	337.5	338.3
63	64.1	64.1	201	202.5	202.9	339	340.5	341.7
66	67.1	67.1	204	205.5	205.9	342	343.5	344.7
69	70.1	70.1	207	208.5	208.9	345	346.5	347.7
72	73.1	73.1	210	211.5	211.9	348	349.5	350.7
75	76.1	76.1	213	214.5	214.9	351	352.5	353.7
78	79.1	79.1	216	217.5	217.9	354	355.5	356.7
81	82.1	82.1	219	220.5	220.9	357	358.5	359.7
84	85.1	85.1	222	223.5	223.9	360	361.5	362.7
87	88.1	88.5	225	226.5	226.9	363	364.9	365.7
90	91.1	91.5	228	229.5	229.9	366	367.9	368.7
93	94.1	94.5	231	232.5	232.9	369	370.9	371.7
96	97.1	97.5	234	235.5	235.9	372	373.9	374.7
99	100.1	100.5	237	238.5	238.9	375	376.9	377.7
102	103.1	103.5	240	241.5	241.9	378	379.9	380.7
105	106.1	106.5	243	244.5	244.9	381	382.9	383.7
108	109.1	109.5	246	247.5	247.9	384	385.9	386.7
111	112.1	112.5	249	250.5	250.9	387	388.9	389.7
114	115.1	115.5	252	253.5	253.9	390	391.9	392.7
117	118.1	118.5	255	256.5	257.3	393	394.9	395.7
120	121.1	121.5	258	259.5	260.3	396	397.9	398.7
123	124.5	124.5	261	262.5	263.3	399	400.9	401.7
126	127.5	127.5	264	265.5	266.3	402	403.9	404.7
129	130.5	130.5	267	268.5	269.3	405	406.9	407.7
132	133.5	133.5	270	271.5	272.3	408	409.9	410.7
135	136.5	136.5	273	274.5	275.3	411	412.9	413.7
138	139.5	139.5	276	277.5	278.3	414	415.9	416.7
141	142.5	142.5	279	280.5	281.3	417	418.9	419.7
144	145.5	145.5	282	283.5	284.3	420	421.9	422.7
147	148.5	148.5	285	286.5	287.3			

PROJECT		FIXTURE TYPE		DATE	
---------	--	--------------	--	------	--

TM-30-15 DATA: The data below is for SS2C, SS5C, SS7C and SS10C bare LED Soft Strips. Consistent color temperatures throughout a single strip and among multiple strips is possible through a 3 phase binning process in which each order is inspected with a color meter to ensure uniformity.

2200K | Rf: 83.9 | Rg: 94.9

Color Vector Graphic

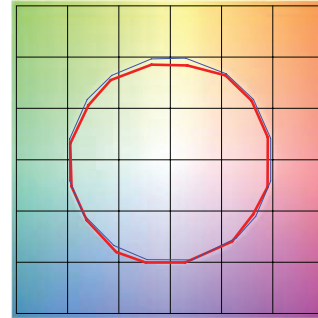


■ Test ■ Reference

HUE BIN	Rf	GRAPHIC SHIFTS %	
		CHROMA	HUE
1	78.8	-9.5%	1.3%
2	80.7	-7.8%	6.7%
3	78.2	-3.3%	9.4%
4	89.7	-2.8%	3.6%
5	93.2	-0.8%	2.6%
6	93.0	-0.6%	-0.7%
7	87.7	-5.9%	-3.5%
8	89.2	-6.8%	1.9%
9	83.4	-5.6%	6.0%
10	79.3	-3.7%	10.8%
11	81.4	2.9%	11.1%
12	84.9	5.3%	4.9%
13	88.1	4.9%	-10.1%
14	68.1	0.1%	-19.5%
15	86.0	-3.3%	-7.3%
16	76.4	-8.9%	-11.7%

2400K | Rf: 91.2 | Rg: 96.8

Color Vector Graphic

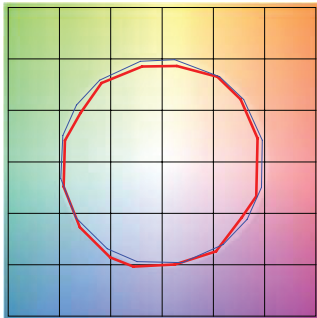


■ Test ■ Reference

HUE BIN	Rf	GRAPHIC SHIFTS %	
		CHROMA	HUE
1	92.0	-2.4%	1.5%
2	94.7	-2.1%	0.0%
3	95.4	-1.9%	-0.1%
4	88.7	-6.7%	-3.1%
5	92.8	-5.6%	1.0%
6	92.7	-3.4%	3.4%
7	89.9	-4.3%	4.1%
8	92.4	-1.4%	4.4%
9	89.0	-0.6%	5.8%
10	88.9	0.4%	6.2%
11	89.7	4.0%	5.4%
12	92.6	3.0%	-0.7%
13	90.9	1.1%	-7.0%
14	89.9	0.5%	-5.8%
15	92.1	-3.2%	0.1%
16	88.9	-1.7%	-6.3%

2700K | Rf: 87.7 | Rg: 96.1

Color Vector Graphic

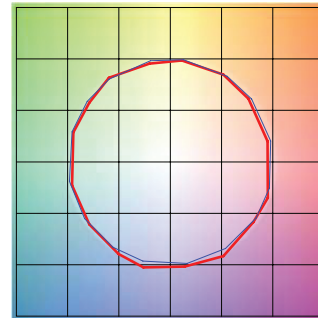


■ Test ■ Reference

HUE BIN	Rf	GRAPHIC SHIFTS %	
		CHROMA	HUE
1	88.0	-4.3%	2.6%
2	91.6	-2.4%	2.0%
3	93.7	-1.4%	1.9%
4	88.9	-5.6%	-3.1%
5	92.3	-5.5%	-0.5%
6	92.9	-3.5%	0.1%
7	84.5	-7.5%	4.6%
8	90.8	-3.0%	4.4%
9	84.5	-1.3%	8.3%
10	83.9	2.0%	9.8%
11	87.2	5.3%	7.1%
12	89.2	5.4%	-2.6%
13	88.7	0.3%	-7.8%
14	86.8	1.7%	-9.3%
15	87.6	-5.4%	-1.3%
16	83.6	-3.3%	-9.5%

3000K | Rf: 88.1 | Rg: 99.7

Color Vector Graphic

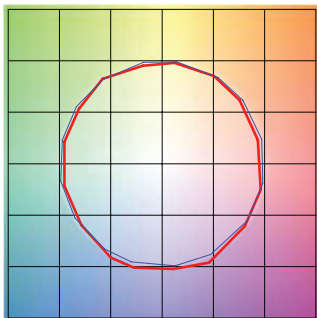


■ Test ■ Reference

HUE BIN	Rf	GRAPHIC SHIFTS %	
		CHROMA	HUE
1	92.5	-3.1%	0.3%
2	93.3	-2.3%	1.9%
3	90.9	-0.8%	3.9%
4	94.3	-1.1%	1.4%
5	92.5	-2.6%	1.5%
6	96.4	1.2%	-0.3%
7	92.6	-2.5%	-0.0%
8	96.9	-1.4%	0.2%
9	92.3	-1.8%	4.3%
10	86.6	-0.7%	7.0%
11	86.5	2.4%	8.2%
12	89.8	5.9%	1.7%
13	93.9	2.6%	-2.7%
14	89.4	5.1%	-5.8%
15	90.1	-0.1%	-4.7%
16	86.5	0.3%	-9.7%

3500K | Rf: 86.1 | Rg: 95.5

Color Vector Graphic

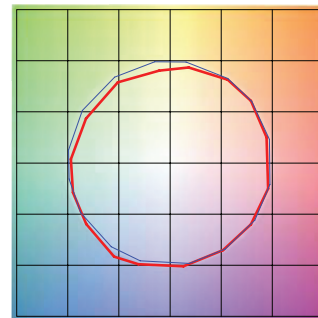


■ Test ■ Reference

HUE BIN	Rf	GRAPHIC SHIFTS %	
		CHROMA	HUE
1	90.8	-3.8%	0.3%
2	92.3	-2.8%	2.1%
3	89.7	-1.0%	4.3%
4	92.6	-1.4%	1.7%
5	91.8	-3.1%	1.3%
6	96.2	0.8%	-0.4%
7	92.9	-3.2%	0.2%
8	94.3	-2.5%	1.5%
9	90.4	-2.5%	5.2%
10	84.3	-1.4%	9.5%
11	83.1	3.5%	9.8%
12	88.2	4.8%	3.4%
13	94.0	2.7%	-2.0%
14	88.7	5.9%	-5.8%
15	88.7	0.7%	-5.9%
16	86.8	-0.7%	-6.7%

4000K | Rf: 87.6 | Rg: 96.8

Color Vector Graphic



■ Test ■ Reference

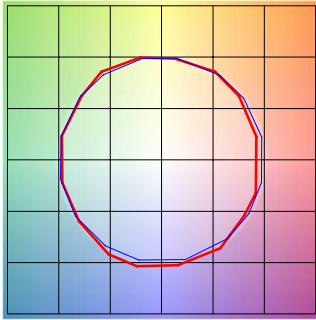
HUE BIN	Rf	GRAPHIC SHIFTS %	
		CHROMA	HUE
1	88.9	-2.4%	2.5%
2	93.3	-0.4%	0.8%
3	94.8	-1.0%	-0.6%
4	87.9	-4.9%	-3.6%
5	85.3	-9.4%	-2.6%
6	90.2	-6.0%	0.2%
7	85.3	-7.6%	4.6%
8	83.7	-4.1%	8.2%
9	79.5	-1.1%	13.8%
10	78.6	1.5%	12.1%
11	83.5	6.4%	7.8%
12	90.9	3.6%	-1.1%
13	88.3	1.7%	-6.3%
14	91.9	-0.4%	-2.2%
15	84.5	-0.9%	-5.5%
16	84.7	-1.1%	-4.4%

PROJECT	FIXTURE TYPE	DATE
---------	--------------	------

TM-30-15 DATA: The data below is for SS2C, SS5C, SS7C, and SS10C bare LED Soft Strips. Consistent color temperatures throughout a single strip and among multiple strips is possible through a 3 phase binning process in which each order is inspected with a color meter to ensure uniformity.

2700D | Rf: 89.5 | Rg: 100.8

Color Vector Graphic

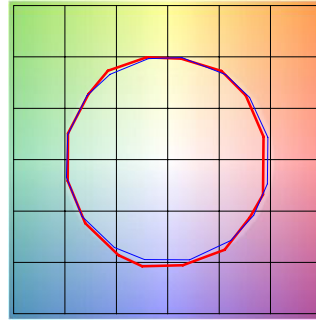


■ Test ■ Reference

HUE BIN	Rf	GRAPHIC SHIFTS %	
		CHROMA	HUE
1	88.8	-5.1%	1.4%
2	89.8	-2.7%	4.1%
3	87.2	0.3%	5.9%
4	92.3	-0.9%	1.0%
5	93.3	1.5%	1.7%
6	92.4	3.6%	-0.2%
7	92.2	-0.9%	-2.4%
8	96.7	-0.4%	-1.1%
9	92.3	-1.2%	3.7%
10	88.9	-0.0%	6.1%
11	86.4	5.1%	7.4%
12	88.2	6.3%	-0.9%
13	87.2	3.8%	-8.1%
14	84.2	3.8%	-11.0%
15	89.8	-2.6%	-4.3%
16	82.7	-3.4%	-11.1%

3000D | Rf: 89.8 | Rg: 101.4

Color Vector Graphic

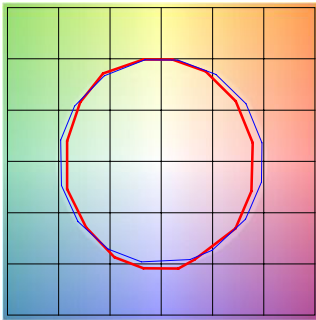


■ Test ■ Reference

HUE BIN	Rf	GRAPHIC SHIFTS %	
		CHROMA	HUE
1	90.2	-4.2%	1.5%
2	90.9	-2.0%	3.7%
3	87.9	0.8%	5.5%
4	92.1	-0.9%	0.6%
5	93.0	1.5%	1.6%
6	92.2	3.9%	-0.2%
7	92.1	-0.3%	-2.0%
8	96.7	0.0%	-1.2%
9	92.5	-0.6%	3.7%
10	88.3	1.1%	7.0%
11	87.2	4.1%	7.4%
12	87.2	6.7%	-1.0%
13	88.2	3.8%	-7.2%
14	85.3	4.3%	-9.9%
15	90.9	-2.2%	-3.6%
16	83.4	-2.2%	-11.2%

2000K ONLY (2K6K/27K6) | Rf: 84.3 | Rg: 96.9

Color Vector Graphic

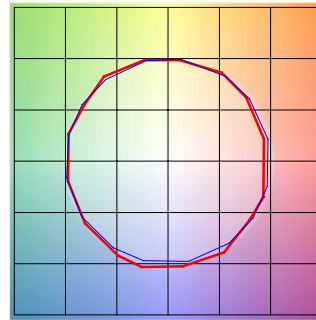


■ Test ■ Reference

HUE BIN	Rf	GRAPHIC SHIFTS %	
		CHROMA	HUE
1	80.3	-8.9%	1.7%
2	79.7	-7.0%	7.8%
3	78.9	-2.9%	10.0%
4	89.5	-0.5%	5.1%
5	94.4	0.7%	1.7%
6	92.1	2.4%	-0.3%
7	89.4	-2.4%	-5.9%
8	89.7	-6.4%	-0.2%
9	86.0	-4.9%	4.6%
10	81.8	-3.4%	9.3%
11	83.1	3.3%	9.7%
12	85.8	5.6%	3.3%
13	85.6	6.2%	-12.8%
14	61.7	-1.9%	-19.0%
15	79.7	-3.3%	-12.9%
16	78.1	-7.9%	-10.6%

3000K (2K6K/27K6) | Rf: 90.2 | Rg: 101.4

Color Vector Graphic

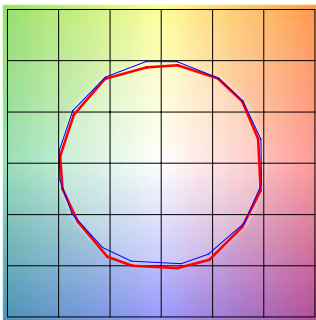


■ Test ■ Reference

HUE BIN	Rf	GRAPHIC SHIFTS %	
		CHROMA	HUE
1	90.9	-3.8%	1.3%
2	91.7	-1.9%	3.3%
3	88.7	0.7%	5.1%
4	92.4	-1.0%	0.7%
5	92.9	0.9%	1.7%
6	93.1	3.3%	-0.6%
7	91.0	-1.8%	-0.4%
8	97.0	0.2%	-1.1%
9	92.8	-0.5%	3.6%
10	88.3	1.0%	7.0%
11	87.1	3.8%	7.8%
12	87.6	6.5%	-0.3%
13	89.3	3.6%	-6.3%
14	86.1	4.5%	-9.1%
15	91.6	-1.9%	-3.1%
16	83.8	-1.5%	-11.2%

4000K ONLY (2K6K/27K6) | Rf: 89.6 | Rg: 99.1

Color Vector Graphic

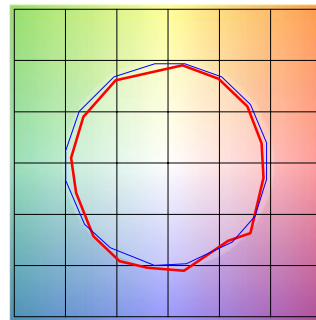


■ Test ■ Reference

HUE BIN	Rf	GRAPHIC SHIFTS %	
		CHROMA	HUE
1	91.3	-2.5%	1.0%
2	95.3	-0.5%	0.5%
3	94.3	-0.7%	1.1%
4	91.1	-3.4%	-1.1%
5	89.5	-5.6%	0.0%
6	94.6	-1.4%	1.3%
7	93.2	-3.0%	2.6%
8	91.3	-1.8%	4.6%
9	86.5	-0.9%	9.1%
10	83.3	-0.5%	9.5%
11	83.3	4.9%	9.0%
12	89.7	4.1%	1.7%
13	90.1	3.6%	-4.3%
14	93.4	5.2%	-2.1%
15	87.4	0.4%	-4.3%
16	86.6	0.4%	-6.1%

6500K ONLY (2K6K/27K6) | Rf: 86.8 | Rg: 96.8

Color Vector Graphic



■ Test ■ Reference

HUE BIN	Rf	GRAPHIC SHIFTS %	
		CHROMA	HUE
1	86.5	-4.7%	0.8%
2	91.9	-2.5%	3.1%
3	91.2	-2.0%	1.9%
4	91.2	-1.6%	1.4%
5	85.7	-6.2%	-0.9%
6	92.9	-3.5%	-1.0%
7	92.1	-4.7%	0.7%
8	85.2	-5.8%	4.9%
9	82.8	-6.2%	14.3%
10	77.1	-0.7%	15%
11	72.1	5.8%	14.1%
12	91.6	4.0%	1.0%
13	89.9	5.6%	-2.3%
14	90.5	-1.8%	-3.7%
15	81.6	6.5%	-13.9%
16	92.8	-3.6%	-0.4%

PROJECT	FIXTURE TYPE	DATE
---------	--------------	------