

AETHER 2" - Square Downlight Trim

R2ASDT



Fixture Type:

Catalog Number:

Project: _____

Location: _____

PRODUCT DESCRIPTION

Shallow housing that is designed to fit in tight plenum spaces without sacrificing lumen output.

FEATURES

- Designed to fit in tight plenum
- Wet location listed for trims
- 2" trim aperture, 2" housing height
- 35° cut-off angle
- Universal input voltage (120V-277V)
- 5 year WAC Lighting product warranty

SPECIFICATIONS

- Construction:** Die-cast aluminum trim with die-cast aluminum heat sink
- Dimming:** 100% - 5% with 0-10V
100% - 5% with Electronic Low Voltage (ELV)/ TRIAC
- Input:** 120V-277V AC
- Power:** 9W, 15W, power factor 0.9
- Mounting:** Retention clips firmly hold trim to housing
- Finish:** Powder Coated White, Black and White, Enamel Coated Haze
- Ceiling thickness:** ½" - 1"
- Standards:** UL & cUL Listed, wet location listed trims, Title 24 JA8 Compliant

Trim (See next page for housing)	Model	Beam	Color Temp	CRI	Lumens*	CBCP*	Finishes								
	R2ASDT Square, Downlight Lensed, Wet Location	S 17°	827 2700K 85 1230 6000	BK Black BKWT Black/White HZWT Haze/White WT White	830 3000K 85 1295 6310	835 3500K 85 1320 6440 840 4000K 85 1335 6500	927 2700K 90 1030 5000 930 3000K 90 1065 5185								
			827 2700K 85 1230 3860		BK Black BKWT Black/White HZWT Haze/White WT White			830 3000K 85 1295 4060	927 2700K 90 1025 3215 930 3000K 90 1065 3335						
			835 3500K 85 1320 4140					BK Black BKWT Black/White HZWT Haze/White WT White		840 4000K 85 1335 4180	927 2700K 90 1010 1770 930 3000K 90 1045 1835				
			827 2700K 85 1210 2125							BK Black BKWT Black/White HZWT Haze/White WT White		830 3000K 85 1275 2235	835 3500K 85 1300 2280 840 4000K 85 1310 2300		
			835 3500K 85 1300 2280									BK Black BKWT Black/White HZWT Haze/White WT White		840 4000K 85 1310 2300	927 2700K 90 950 1155 930 3000K 90 985 1200
			927 2700K 90 1010 1770											BK Black BKWT Black/White HZWT Haze/White WT White	
		827 2700K 85 1135 1390	BK Black BKWT Black/White HZWT Haze/White WT White	830 3000K 85 1195 1460		927 2700K 90 950 1155 930 3000K 90 985 1200									
		835 3500K 85 1220 1490		BK Black BKWT Black/White HZWT Haze/White WT White	840 4000K 85 1230 1505		927 2700K 90 950 1155 930 3000K 90 985 1200								
		927 2700K 90 950 1155			BK Black BKWT Black/White HZWT Haze/White WT White			930 3000K 90 985 1200	927 2700K 90 950 1155 930 3000K 90 985 1200						
		930 3000K 90 1045 1835						BK Black BKWT Black/White HZWT Haze/White WT White		927 2700K 90 950 1155	930 3000K 90 985 1200				
		930 3000K 90 1045 1835								BK Black BKWT Black/White HZWT Haze/White WT White		927 2700K 90 950 1155	930 3000K 90 985 1200		
		927 2700K 90 950 1155										BK Black BKWT Black/White HZWT Haze/White WT White		930 3000K 90 985 1200	927 2700K 90 950 1155 930 3000K 90 985 1200
930 3000K 90 985 1200	BK Black BKWT Black/White HZWT Haze/White WT White	927 2700K 90 950 1155	930 3000K 90 985 1200												

R2ASDT-_____ - _____

Example: **R2ASDT-N930-HZWT**

Please see next page for housing (required)

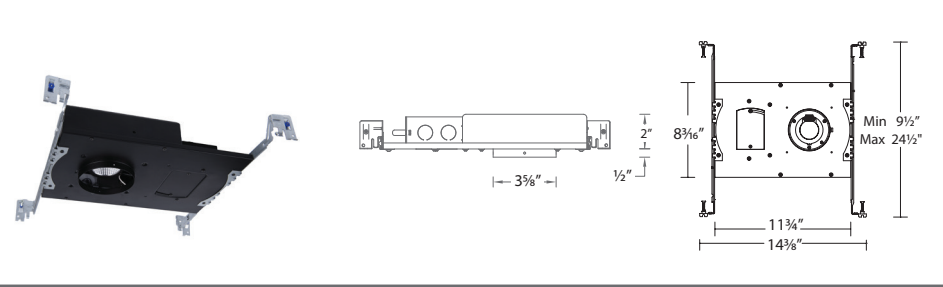
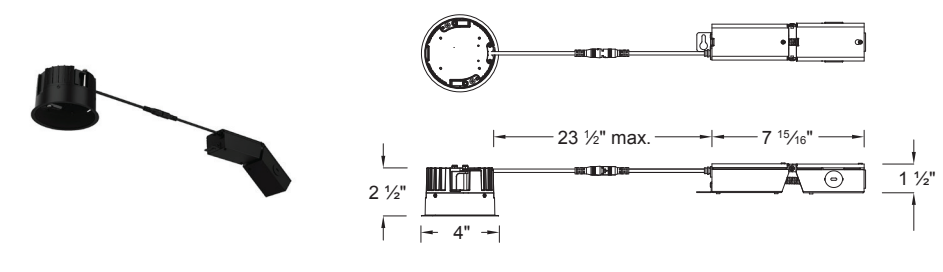
AETHER 2" - Square Downlight Trim Housing



* Lumen and CBCP data are shown for 15W (HR-2LED-H13A, HR-2LED-H13AC, HR-2LED-R15A) housings. Use 0.66 multiplier to determine data for 9W (HR-2LED-R10A) housing.

Example: R2ASDT-F840-WT with 9W housing: $1310 \text{ lm} \times 0.66 = 865 \text{ lm}$

$2300 \text{ CBCP} \times 0.66 = 1518 \text{ CBCP}$

Housing	Model
 <p>Technical drawings and photographs of the HR-2LED-H13A and HR-2LED-H13AC housings. Dimensions include a width of 3 5/8", a depth of 2", a height of 8 3/16", and a diameter of 1 1/2". The HR-2LED-H13AC drawing shows a diameter of 11 3/4" and a total width of 14 3/8".</p>	<p>HR-2LED-H13A New Construction (15W) IC-rated, Airtight</p> <p>HR-2LED-H13AC New Construction (15W) IC-rated, Airtight Chicago Plenum</p>
 <p>Technical drawings and photographs of the HR-2LED-R10A and HR-2LED-R15A housings. Dimensions include a diameter of 2 1/2", a length of 4", a maximum length of 23 1/2", and a depth of 7 15/16". The HR-2LED-R15A drawing shows a diameter of 1 1/2".</p>	<p>HR-2LED-R10A Remodel (9W) IC Rated, Airtight</p> <p>HR-2LED-R15A Remodel (15W) Non-IC Rated, Airtight</p>

HR-2LED-_____
Example: **HR-2LED-H13A**