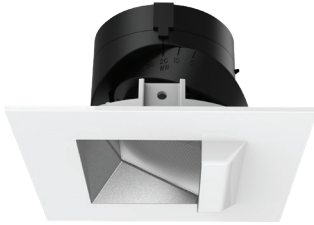


AETHER 2" - Square Wall Wash Trim

R2ASWT



Fixture Type:

Catalog Number:

Project: _____

Location: _____

PRODUCT DESCRIPTION

Shallow housing that is designed to fit in tight plenum spaces without sacrificing lumen output.

FEATURES

- Designed to fit in tight plenum
- Wet location listed for trims
- 2" trim aperture, 2" housing height
- Universal input voltage (120V-277V)
- 5 year WAC Lighting product warranty

SPECIFICATIONS

- Construction:** Die-cast aluminum trim with die-cast aluminum heat sink
- Dimming:** 100% - 5% with 0-10V
100% - 5% with Electronic Low Voltage (ELV)/ TRIAC
- Input:** 120V-277V AC
- Power:** 9W, 15W, power factor 0.9
- Mounting:** Retention clips firmly hold trim to housing
- Finish:** Powder Coated White, Black/White, Haze/White, Black
- Ceiling thickness:** ½" - 1"
- Standards:** UL & cUL Wet Location Listed, Title 24 JA8 Compliant

Trim (See next page for housing)	Model	Beam	Color Temp	CRI	Lumens*	Finishes
	R2ASWT Square, Wall Wash Lensed, Wet Location	A Asymmetrical	827 2700K	85	1000	BK Black BKWT Black/White HZWT Haze/White WT Whitew
			830 3000K	85	1060	
			835 3500K	85	1085	
			840 4000K	85	1095	
			927 2700K	90	830	
			930 3000K	90	865	

R2ASWT- _____ - _____

Example: **R2ASWT-A930-WT**

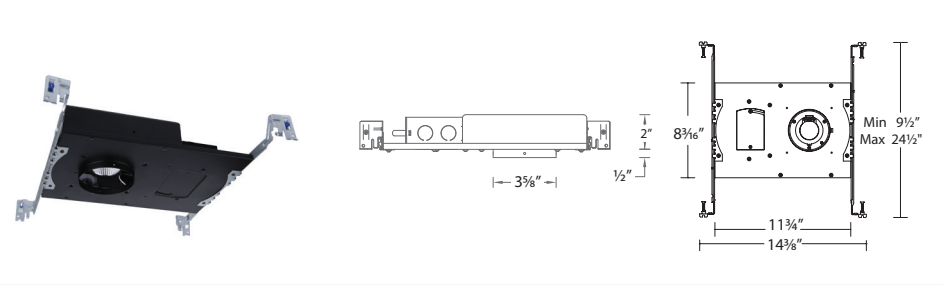
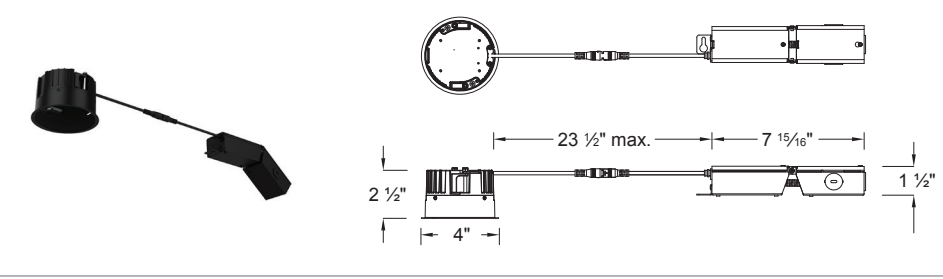
Please see next page for housing (required)

AETHER 2" - Square Wall Wash Trim Housing



* Lumen data is shown for 15W (HR-2LED-H13A, HR-2LED-H13AC, HR-2LED-R15A) housings.
Use 0.66 multiplier to determine data for 9W (HR-2LED-R10A) housing.

Example: R2ARWT-A840-WT with 9W housing: 1095 lm x 0.66 = 723 lm

Housing	Model
 <p>Technical drawings and photographs of the HR-2LED-H13A and HR-2LED-H13AC housings. Dimensions include a width of 3 5/8", a height of 2", a depth of 1/2", a mounting hole diameter of 8 3/16", a total width of 11 3/4" and 14 3/8", and a depth of 9 1/2" (min) to 24 1/2" (max).</p>	<p>HR-2LED-H13A New Construction (15W) IC-rated, Airtight</p> <p>HR-2LED-H13AC New Construction (15W) IC-rated, Airtight Chicago Plenum</p>
 <p>Technical drawings and photographs of the HR-2LED-R10A and HR-2LED-R15A housings. Dimensions include a diameter of 4", a height of 2 1/2", a length of 23 1/2" max., a depth of 7 15/16", and a mounting hole diameter of 1 1/2".</p>	<p>HR-2LED-R10A Remodel (9W) IC Rated, Airtight</p> <p>HR-2LED-R15A Remodel (15W) Non-IC Rated, Airtight</p>

HR-2LED-_____
Example: **HR-2LED-H13A**