

INSTALLATION INSTRUCTION

FQ 2" - Shallow New Construction Housing

R2FBN1T-1, R2FRN1L-1, R2FSN1L-1



WARNING

IMPORTANT: NEVER attempt to do any work without shutting off the electricity.

- Read all instructions before installing.
- System is intended for installation by a qualified electrician in accordance with the National Electrical Code and local regulations.
- Go to the main fuse box, or circuit breaker. Place the main power switch in the "OFF" position and unscrew the fuse(s) or switch "OFF" the circuit breaker switch(es) that control the power to the fixture or room that you are working on.
- Place the wall switch in the "OFF" position.

AVERTISSEMENT

IMPORTANT: Coupez l'électricité avant TOUTE manipulation.

- Lisez toutes les instructions avant d'installer.
- Système est destiné à être installé par un électricien qualifié en conformité avec le code national de l'électricité et les règlements locaux.
- Accédez au panneau central de disjoncteurs ou de fusibles de votre demeure et placez l'interrupteur principal en position d'arrêt (« OFF »).
- Placez l'interrupteur mural en position d'arrêt (« OFF »).

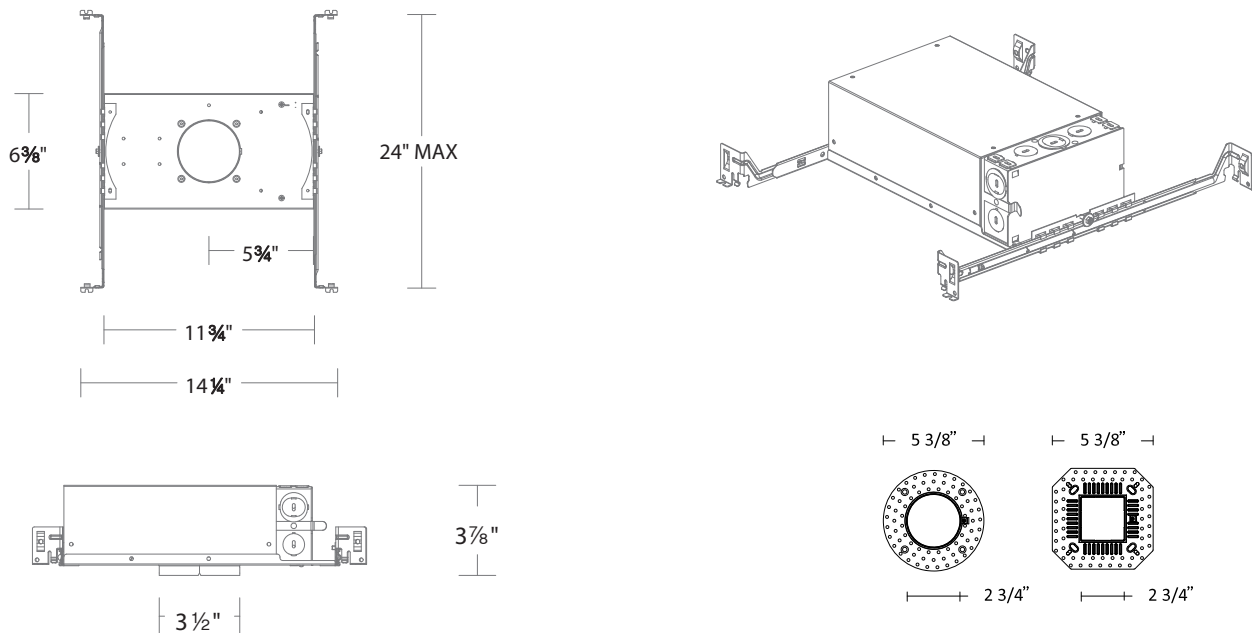
CAUTION

All parts must be used as indicated in these instructions. Do not substitute any parts, leave parts out, or use any parts that are worn out or broken. Failure to follow this instruction could invalidate the ETL/cETL listing of this fixture.

OVERVIEW:

Housing is for IC Airtight new construction applications (Refer to table below). Housing requires a trim for a finished look. Refer to specification sheets for compatible trim options.

OVERALL HOUSING DIMENSION



SPECIFICATIONS	
Input	120-277V, 50/60Hz
Dimming	ELV / TRIAC / 0-10V
IC Airtight Rated Model	R2FBN1T-1, R2FRN1L-1, R2FSN1L-1

waclighting.com
Phone (800) 526.2588
Fax (800) 526.2585

Headquarters/Eastern Distribution Center
44 Harbor Park Drive
Port Washington, NY 11050

Central Distribution Center
1600 Distribution Ct
Lithia Springs, GA 30122

Western Distribution Center
1750 Archibald Avenue
Ontario, CA 91760

INSTALLATION INSTRUCTION

FQ 2" - Shallow New Construction Housing

R2FBN1T-1, R2FRN1L-1, R2FSN1L-1



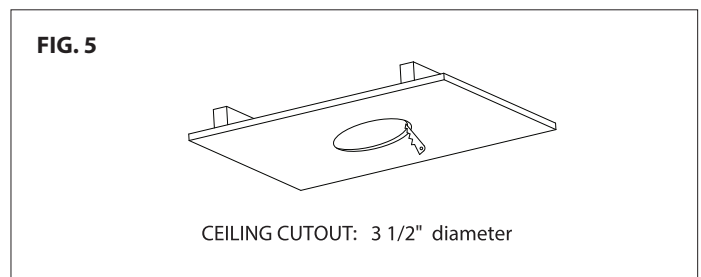
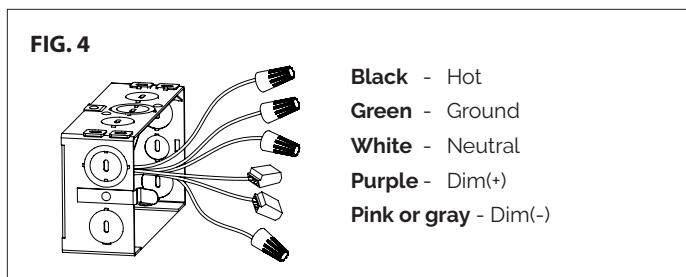
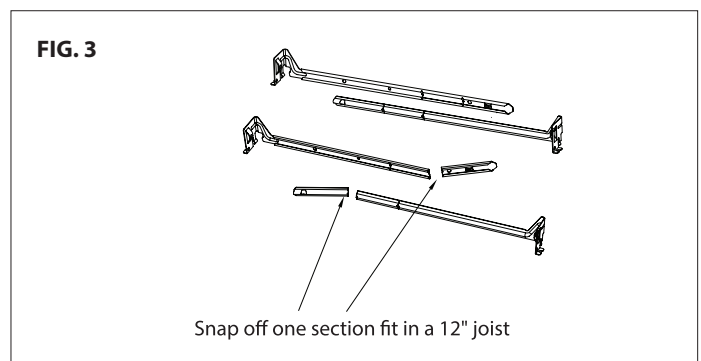
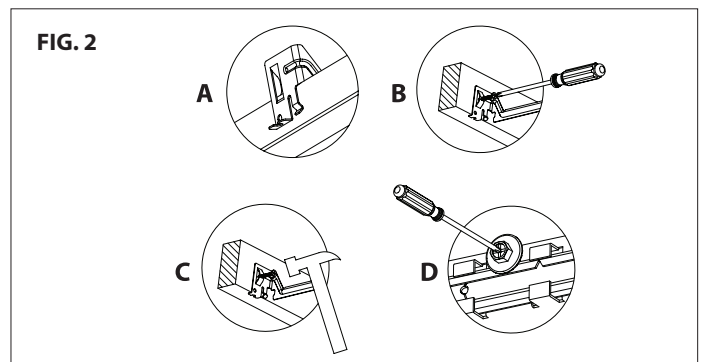
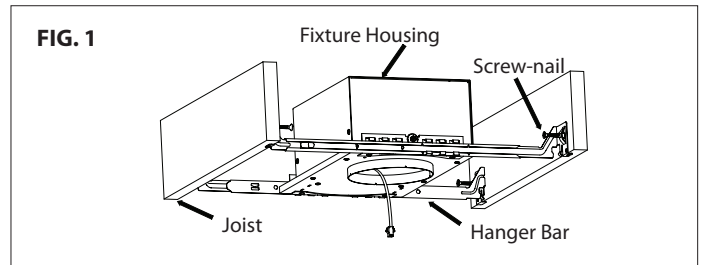
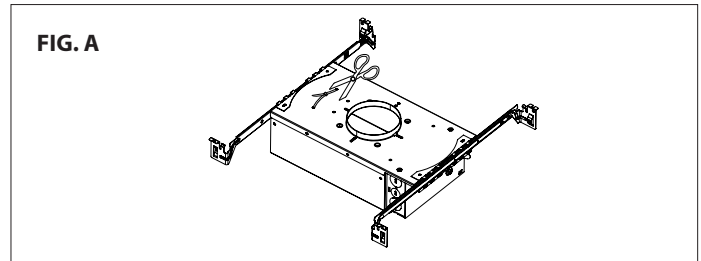
NOTE: Cut the zip tie at the bottom of the housing which secures driver during shipping (See **FIG. A**).

TRIM HOUSING INSTALLATION

1. Install housing using two hanger bars (24" max). Bars are notched on the ends to fit over "T" bars in suspended ceilings (See **FIG. 2A**).
2. Hanger bars include a captive mounting "screw-nail" for ease of installation (See **FIG. 1**). Align the bottom of the hanger bar with the bottom of the wood joist. Secure the "screw-nail" on each end by screwdriver (See **FIG. 2B**), or by hammer (See **FIG. 2C**).
3. Slide fixture housing along bar hangers into desired location. Use locking screws to secure (See **FIG. 2D**).
4. To shorten hanger bars to fit in a 12" joist, snap off one section of the hanger bars (See **FIG. 3**).
5. Remove spring latched fixture junction box door and connect fixture wires to building wires:
Insert each supply wire into appropriate junction box wire connector. This fixture features electronic low voltage (ELV) or TRIAC or 0-10V dimming capabilities (See **FIG. 4**).

To utilize ELV or TRIAC, wire black (line hot), white (line neutral) and green (ground) in accordance to dimmer specifications.

To utilize 0-10V dimming, wire purple (dim+), pink or gray (dim-), black (line hot), white (line neutral) and green (ground) in accordance to dimmer specifications. When not using a dimmer, connect black fixture wire to hot, white fixture wire to neutral and green fixture wire to ground. Leave all other wires capped individually.
6. Place all wiring and connectors back in junction box and replace the junction box's cover.
7. Cut a 3 1/2" diameter hole in the ceiling at the point of installation and install ceiling (See **FIG. 5**).
8. Refer to installation instructions for appropriate trims to complete the installation.



waclighting.com
Phone (800) 526.2588
Fax (800) 526.2585

Headquarters/Eastern Distribution Center
44 Harbor Park Drive
Port Washington, NY 11050

Central Distribution Center
1600 Distribution Ct
Lithia Springs, GA 30122

Western Distribution Center
1750 Archibald Avenue
Ontario, CA 91760

INSTALLATION INSTRUCTION

FQ 2" - Shallow New Construction Housing

R2FBN1T-1, R2FRN1L-1, R2FSN1L-1



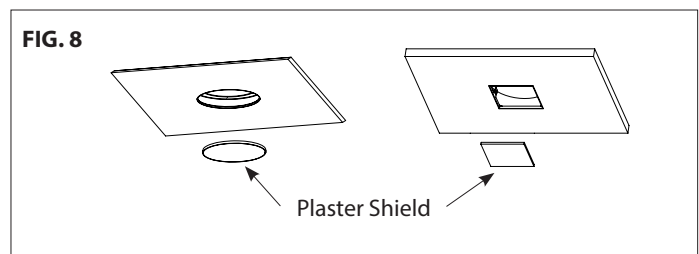
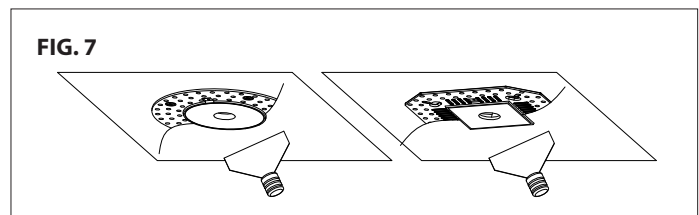
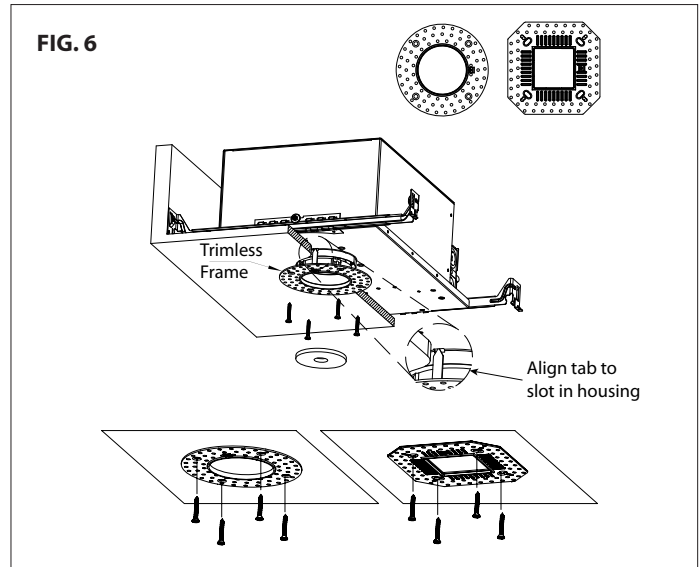
TRIMLESS HOUSING INSTALLATION

Installation procedure applies to both round and square trimless frames. Ceiling cutout is 3 1/2" diameter.

1. Repeat the same procedure as above from step 1 to step 7.
2. Raise the trimless frame aligning tab to slot in housing. Secure the trimless frame to the housing, flush up against the ceiling by using the screws supplied. Put plaster shield inside trim opening (See **FIG. 6**).

NOTE: When utilizing the square trimless frame, if position isn't as desired, remove screws, lift the tab and rotate until desired position is acquired.

3. Apply plaster or spackle over trimless frame and sand surface when dry for a finished look (See **FIG. 7**).
4. Remove the plaster shield when finishing is complete (See **FIG. 8**).
5. Refer to installation instructions for appropriate trims to complete the installation.



INSTALLATION INSTRUCTION

FQ 2" - Shallow New Construction Housing

R2FBN1T-1, R2FRN1L-1, R2FSN1L-1



LIGHT ENGINE REPLACEMENT:

Refer to relative trim instruction for LED replacement.

DRIVER REPLACEMENT:

1. Shut off power to the fixture. Remove trim assembly from fixture and disconnect the power connector and safety cable from the trim assembly (See **FIG. 9-1**).
2. Grip the driver locking bolt and rotate it 90° counter-clockwise to release the driver (See **FIG. 9-2**).
3. Slide the driver out of its mounting track and remove it through the ceiling opening (See **FIG. 9-3**).
4. Disconnect the power and control connectors from the driver and the replace the old driver with the new one (See **FIG. 9-4**). Reverse the steps 1 to 4 to install the new driver to the fixture.

