

# INSTALLATION INSTRUCTION

## FQ 2" LED - Remodel Housing

### R2FBR2T-1, R2FBRT-1, R2FBRT-2, R2FBRT-3



#### WARNING

IMPORTANT: NEVER attempt to do any work without shutting off the electricity.

- Read all instructions before installing.
- System is intended for installation by a qualified electrician in accordance with the National Electrical Code and local regulations.
- Place the wall switch in the "OFF" position.
- Go to the main fuse box, or circuit breaker. Unscrew the fuse(s) or switch "OFF" the circuit breaker switch(es) that control the power to the space that you are working on.

#### AVERTISSEMENT

IMPORTANT: Coupez l'électricité avant TOUTE manipulation.

- Lisez toutes les instructions avant d'installer.
- Système est destiné à être installé par un électricien qualifié en conformité avec le code national de l'électricité et les règlements locaux.
- Placez l'interrupteur mural en position d'arrêt (« OFF »).
- Toujours mettre le fusible ou le disjoncteur en position arrêt dans la pièce ou des travaux électriques sont prévus

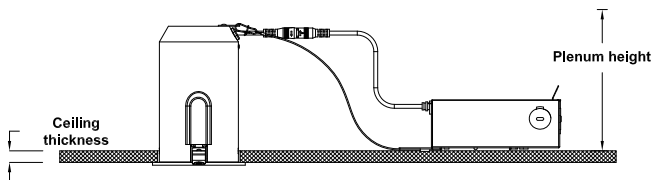
#### CAUTION

All parts must be used as indicated in these instructions. Do not substitute any parts, leave parts out, or use any parts that are worn out or broken. Failure to follow this instruction may invalidate the ETL/cETL listing of this fixture.

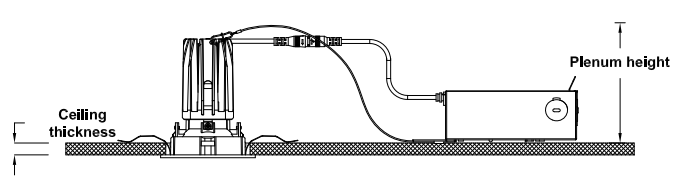
#### OVERVIEW:

Housing is for remodel applications. Housing requires a trim for a finished look. Refer to specification sheets for compatible trim options.

OVERALL HOUSING DIMENSION



OVERALL HOUSING DIMENSION



#### MODEL: R2FBR2T-1

Refer to trim spec sheets for housing compatibility.

#### MODEL: R2FBRT-1, R2FBRT-2, R2FBRT-3

Refer to trim spec sheets for housing compatibility.

#### INSTALLATION REQUIREMENT

Ceiling Thickness	Minimum Required Plenum Height
1/2" to 1 1/4"	5 1/2"

#### INSTALLATION REQUIREMENT

Ceiling Thickness	Minimum Required Plenum Height
1/2" to 1 1/4"	5

#### SPECIFICATIONS

Input:	120-277V, 50/60Hz
Installation:	IC
Dimming:	TRIAC/ELV/0-10V

#### SPECIFICATIONS

Input:	120-277V, 50/60Hz
Installation:	Non-IC
Dimming:	TRIAC/ELV/0-10V

wacighting.com  
Phone (800) 526.2588  
Fax (800) 526.2585

Headquarters/Eastern Distribution Center  
44 Harbor Park Drive  
Port Washington, NY 11050

Central Distribution Center  
1600 Distribution Ct  
Lithia Springs, GA 30122

Western Distribution Center  
1750 Archibald Avenue  
Ontario, CA 91761

# INSTALLATION INSTRUCTION

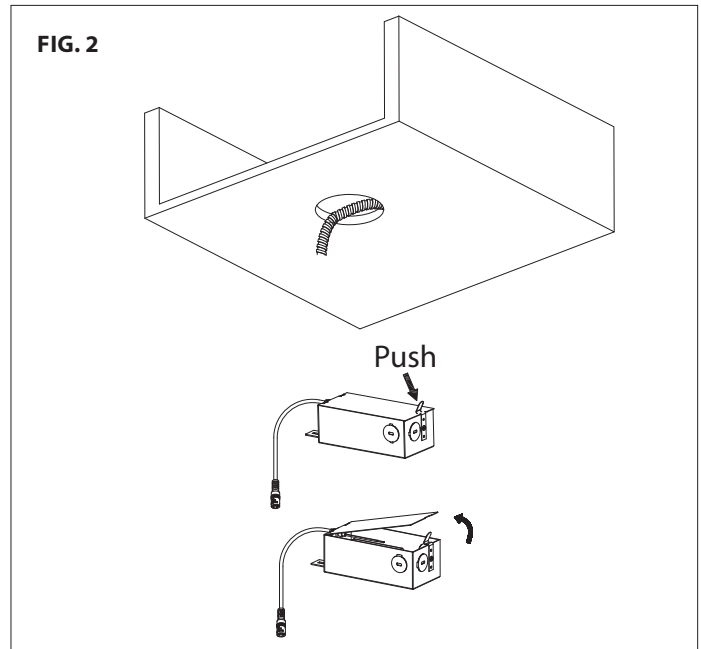
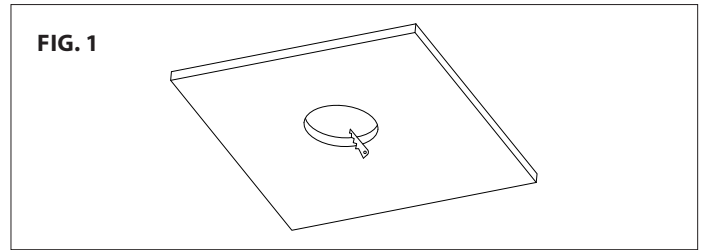
## FQ 2" LED - Remodel Housing

### R2FBR2T-1, R2FBRT-1, R2FBRT-2, R2FBRT-3



#### INSTALLATION ACCESSORIES

1. At the point of installation, cut a 3 1/2" round hole for a round (See **FIG. 1**).
2. Pull building supply wires through ceiling cutout and open fixture junction box door (See **FIG. 2**). Remove desired housing knockout and feed building wires into housing using appropriate connector.

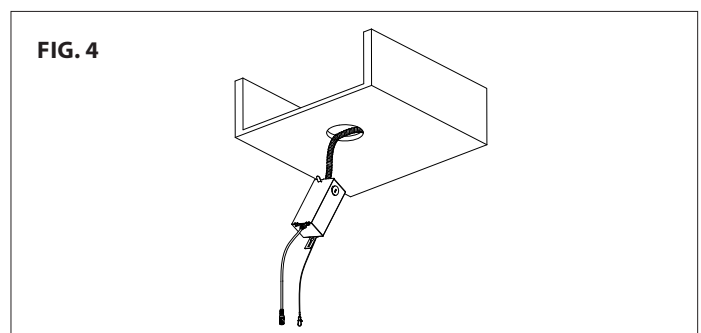
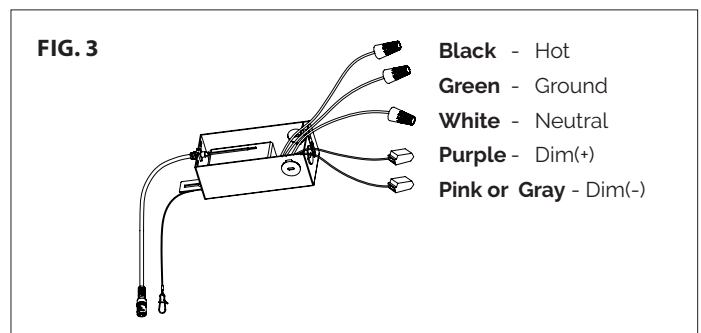


3. Connect fixture wires to building wires: insert each supply wire into appropriate junction box connector. This fixture features electronic low voltage (ELV) or 0-10V dimming capabilities. To utilize ELV, wire black (line hot), white (line neutral), and green (ground) in accordance to dimmer specifications.

To utilize 0-10V dimming, wire purple (dim+), pink or gray (dim-), black (line hot), white (line neutral) and green (ground) in accordance to dimmer specifications.

When not using a dimmer, connect black fixture wire to hot, white fixture wire to neutral and green fixture wire to ground. Leave all other wires capped individually (See **FIG. 3**).

4. Place all wiring and connectors back in junction box and replace the junction box's cover (See **FIG. 4**).

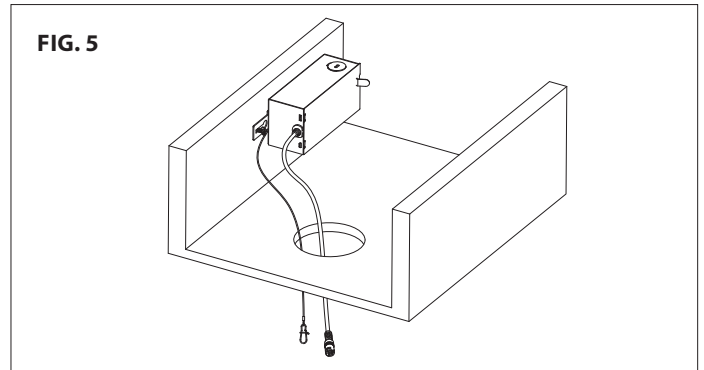


**INSTALLATION INSTRUCTION**  
**FQ 2" LED - Remodel Housing**  
**R2FBR2T-1, R2FBRT-1, R2FBRT-2, R2FBRT-3**

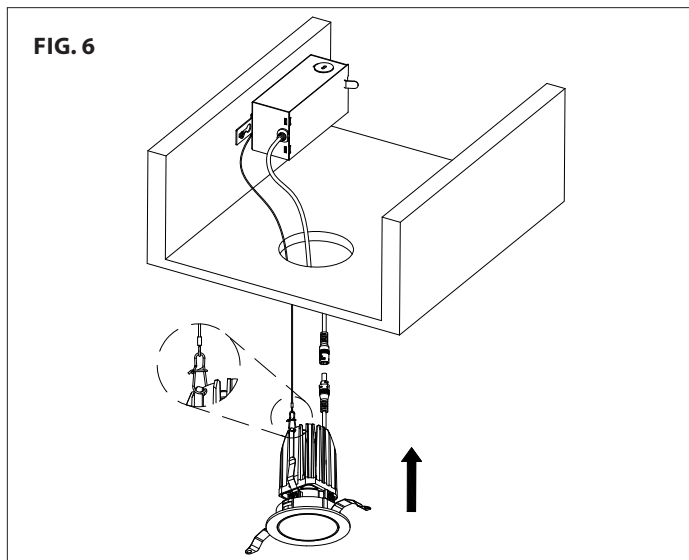
5. Guide junction box through the cut hole and secure appropriately using the external key hole (See **FIG. 5**).
6. Connect safety cable and power connector and install the trim assembly into the ceiling. Refer to installation instructions for appropriate trims to complete the installation.

R2FBRT-1, R2FBRT-2, R2FBRT-3 (See **FIG. 6**).

R2FBR2T-1 (See **FIG. 7 & FIG. 8**).



**R2FBRT-1, R2FBRT-2, R2FBRT-3**



**R2FBR2T-1**

