

# R2FRRL, R2FSRL

## 2" FQ Trimless Remodel Housing

# WAC

### SPECIFICATIONS

**Input** Universal 120-277V AC 50/60 Hz

**Standards:** ETL & cETL

**Dimming:** Electronic Low Voltage (ELV): 100%-1%  
TRIAC: 100%-1%  
0-10V: 100-1%

**Mounting:** Ceiling thickness: 1/2" - 1"  
Ceiling cutout: Ø 3 5/8"

**Construction:** 20 Gauge galvanized sheet  
Die-cast spackle flange included

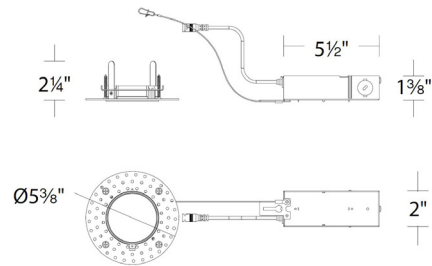
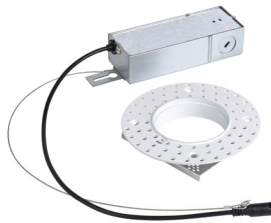
**Warranty:** 5 year WAC Lighting product warranty

Fixture Type:

Catalog Number:

Project: \_\_\_\_\_

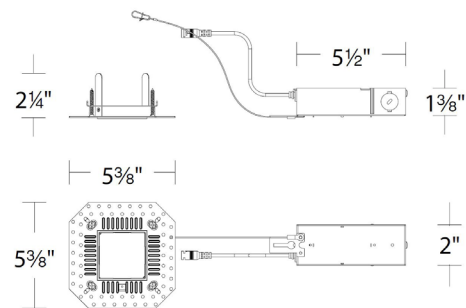
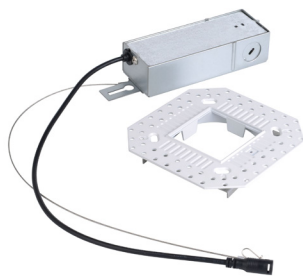
Location: \_\_\_\_\_



Model	Power	Rating	Compatible Trims	
<b>R2FRRL</b> <i>Round Trimless</i>	1	15W	Non-IC	R2FRDL, R2FRD1L
	2	21W	Non-IC	R2FRAL, R2FRA1L
	3	25W	Non-IC	R2FRWL, R2FRW1L

R2FRRL-\_\_\_\_

Example: **R2FRRL-1**



Model	Power	Rating	Compatible Trims	
<b>R2FSRL</b> <i>Square Trimless</i>	1	15W	Non-IC	R2FSDL, R2FSD1L
	2	21W	Non-IC	R2FSAL, R2FSA1L
	3	25W	Non-IC	R2FSWL, R2FSW1L

R2FSRL-\_\_\_\_

Example: **R2FSRL-2**

wacighting.com

Phone (800) 526.2588

Fax (800) 526.2585

Headquarters/Eastern Distribution Center

44 Harbor Park Drive

Port Washington, NY 11050

Central Distribution Center

1600 Distribution Ct

Lithia Springs, GA 30122

Western Distribution Center

1750 Archibald Avenue

Ontario, CA 91761