

R2FSWL

2" FQ - Square Wall Wash Trimless



Fixture Type:

Catalog Number:

Project: _____

Location: _____

PRODUCT DESCRIPTION

The FQ Recessed series offers a complete line of high performance LED luminaires that provide outstanding functionality and quality. The series features superlative glare control with 30° shielding, 35° vertical tilting and uniform floor-to-ceiling wall washing. Multiple power level options and a full line of round and square, trimmed and trimless luminaires offer versatile solutions for various lighting applications. Easy to order, install, and service.

FEATURES

- Two-piece die-cast construction
- Light engine mounted on trim with springs for easy replacement
- Designed for even wall illumination both vertically and horizontally
- 5 year WAC Lighting product warranty

SPECIFICATIONS

- Construction:** Durable die-cast aluminum construction
- Input:** Universal 120-277V AC 50/60 Hz
- Dimming:** Electronic Low Voltage (ELV): 100%-1%
TRIAC: 100%-1%
0-10V: 100-1%
- Light Source:** High output 3-step Mac Adam Ellipse COB
Rated life of 50,000 hours at L70
- Mounting:** Heavy gauge retention clips support trim firmly. Safety cabling standard. Ceiling cutout: Ø 3 1/2"
Accommodates 1/2" - 1" ceiling thickness
- Finish:** Electrostatically powder coated White, Black, Dark Bronze. Enamel coated Haze.
- Standards:** ETL & cETL Wet Location Listed, Title 24 JA8 Compliant.

	Model	Beam	*Lumens	CBCP	Color Temp	CRI	Finishes	Reflector/Trim
	R2FSWL Square Trimless	A Asym	1360	N/A	927 2700K	90	BK DB HZ WT	Black Dark Bronze Haze White
			1435	N/A	930 3000K	90		
			1465	N/A	935 3500K	90		

R2FSWL-__ - __

Example: **R2FSWL-930-WT**

*Lumens shown in the table are reference values for 3000K trim with **3** housing. Use multiplier table below to determine the output for other combinations.

Multiplier		TRIM		
		927	930	935
HOUSING	3	0.95	1.00	1.02
	2	0.83	0.87	0.89
	1	0.61	0.64	0.65

Example: **R2FSWL-930-WT** with **1** housing: 1435 lm (Reference Output) x 0.64 (Multiplier) = 915 lm

Please see next page for housing units (required)

wacighting.com

Phone (800) 526.2588

Fax (800) 526.2585

Headquarters/Eastern Distribution Center

44 Harbor Park Drive

Port Washington, NY 11050

Central Distribution Center

1600 Distribution Ct

Lithia Springs, GA 30122

Western Distribution Center

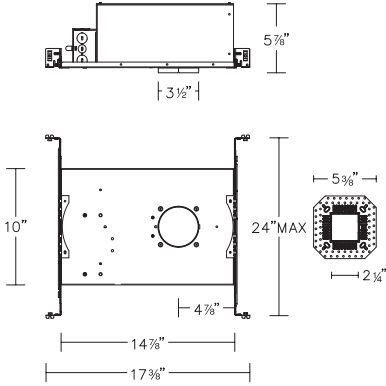
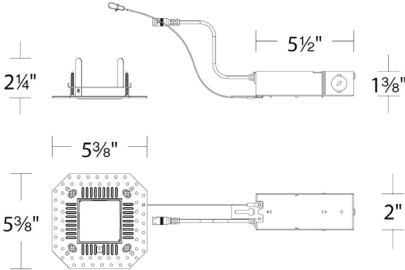
1750 Archibald Avenue

Ontario, CA 91761

R2FSWL

2" FQ - Square Wall Wash Trimless



HOUSING (Required)	Model	Power	Emergency Backup
<p>New Construction IC Airtight</p> 	R2FSNL	<p>1 15W IC 2 21W IC 3 25W Non-IC</p>	N/A
<p>Remodel Non-IC</p> 	R2FSRL	<p>1 15W IC 2 21W IC 3 25W Non-IC</p>	N/A

R2FS- _____ - _____

Example: **R2FSNL-1**

waclighting.com
Phone (800) 526.2588
Fax (800) 526.2585

Headquarters/Eastern Distribution Center
44 Harbor Park Drive
Port Washington, NY 11050

Central Distribution Center
1600 Distribution Ct
Lithia Springs, GA 30122

Western Distribution Center
1750 Archibald Avenue
Ontario, CA 91761