

WAC LIGHTING

Pop-In 4" Square 5CCT

Remodel Downlight

Fixture Type: _____

Catalog Number: _____

Project: _____

Location: _____

| Model | Beam | Color Temp & CRI | Lumens | CBCP | Finish |
|--------|-------|---|-------------|--------------|----------------------|
| R4DSDR | F 45° | 9CS 2700K/3000K/3500K/4000K/5000K - 90 | 790 1000 | 1207 1256 | BK Black WT White |

Example: **R4DSDR-F9CS-BK**

DESCRIPTION

Minimum profile downlight with driver and electrical connection box attached to fixture for easy remodel or new construction installation.

FEATURES

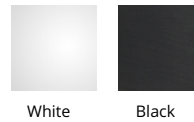
- 5-CCT Switchable between 2700K and 5000K
- Electrical box located on back of fixture to allow easy installation
- Sold as remodel, but new construction frame available
- Driver concealed within the fixture
- 5 year warranty

SPECIFICATIONS

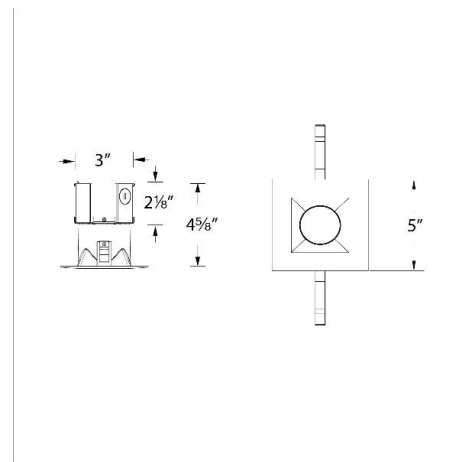
| | |
|---------------------------|---|
| Construction: | Die-cast Aluminum with 20-gauge Cold Rolled Steel Junction Box |
| Power: | 12W |
| Input: | 120-277 VAC, 50/60Hz |
| Dimming: | ELV: 100-5% , TRIAC: 100-5% |
| Light Source: | Integrated LED |
| Lens: | Frosted TIR lens |
| Rated Life: | 50000 Hours |
| Mounting: | Heavy gauge retention clips secures fixture to ceiling |
| Cut Out: | 4" |
| Finish: | Electrostatically Powder Coated: Black, White |
| Ceiling Thickness: | 1/2" - 1 1/2" |
| Operating Temp: | -4°F to 104°F (-20°C to 40°C) |
| Standards: | ETL, cETL, Wet Location Listed, Energy Star 2.0, Title 24 JA8 Compliant, IC, Airtight |



FINISHES:



LINE DRAWING:



WAC LIGHTING

Pop-In 4" Square 5CCT
Remodel Downlight

Fixture Type: _____

Catalog Number: _____

Project: _____

Location: _____

ACCESSORIES

| <i>Model</i> | <i>Description</i> | <i>Finish</i> |
|--------------|--------------------|---------------|
|--------------|--------------------|---------------|
