

R4FRRL, R4FSRL

4" FQ Trimless Remodel Housing

WAC

SPECIFICATIONS

Input: Universal 120-277V AC 50/60 Hz

Standards: ETL & cETL

Dimming: Electronic Low Voltage (ELV): 100%-1%
TRIAC: 100%-1%
0-10V: 100-1%

Mounting: Ceiling thickness: 1/2" - 1"
Ceiling cutout: Ø 4 3/4"

Construction: 20 Gauge galvanized sheet
Die-cast spackle flange included

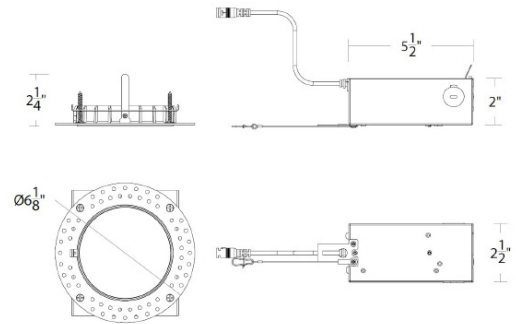
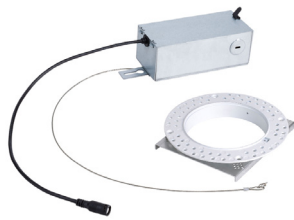
Warranty: 5 year WAC Lighting product warranty

Fixture Type:

Catalog Number:

Project: _____

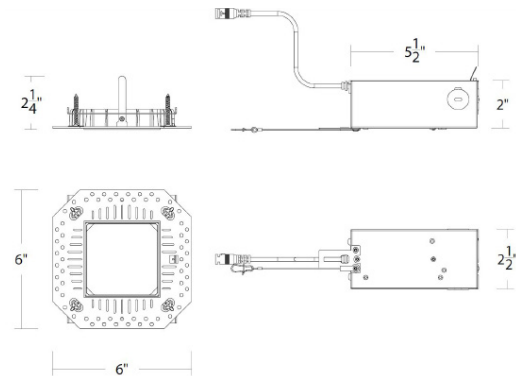
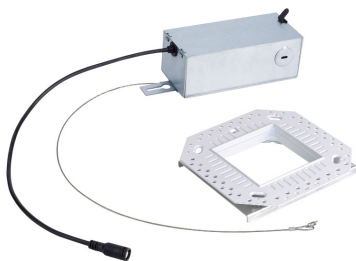
Location: _____



| Model | Power | Rating | Compatible Trims |
|--|-------|--------|----------------------------|
| R4FRRL <i>Round Trimless</i> | 1 | 13W | Non-IC |
| | 2 | 19W | Non-IC |
| | 3 | 25W | Non-IC |
| | 4 | 28W | Non-IC |
| | | | R4FRDL R4FRAL R4FRWL |

R4FRRL-__

Example: **R4FRRL-2**



| Model | Power | Rating | Compatible Trims |
|---|-------|--------|----------------------------|
| R4FSRL <i>Square Trimless</i> | 1 | 13W | Non-IC |
| | 2 | 19W | Non-IC |
| | 3 | 25W | Non-IC |
| | 4 | 28W | Non-IC |
| | | | R4FSDL R4FSAL R4FSWL |

R4FSRL-__

Example: **R4FSRL-1**

wacighting.com
Phone (800) 526.2588
Fax (800) 526.2585

Headquarters/Eastern Distribution Center
44 Harbor Park Drive
Port Washington, NY 11050

Central Distribution Center
1600 Distribution Ct
Lithia Springs, GA 30122

Western Distribution Center
1750 Archibald Avenue
Ontario, CA 91761