



Ra Suspension Assembly instructions



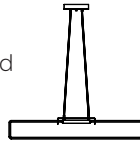
Attention: Read and understand these instructions before installing fixture. This fixture is intended for installation in accordance with National Electric Code and local regulation : to assure full compliance with local code and regulations, check with your local electric inspector before installation. This equipment is guaranteed only when used as indicated in the instructions; therefore they should be kept for future reference. Install where luminaire will be protected from likely damage. This fixture is ceiling mounted only.

Your box should contain

2x hollow studs
1x universal plate
1x cap



1x assembled luminaire



2x cotton gloves



Tools needed, not included

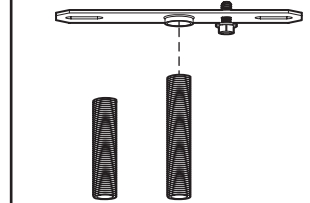
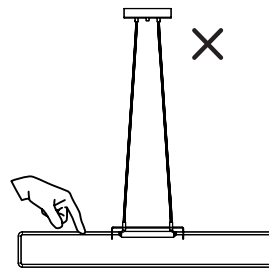
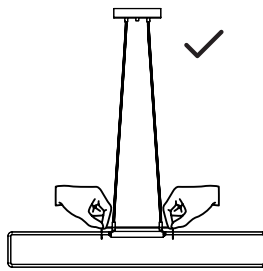
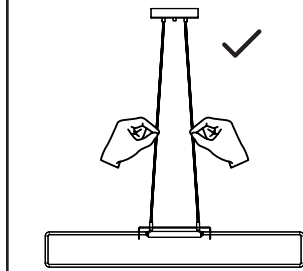
-Junction box and screw
-Wire connectors

1 Only hold the luminaire by the bracket or the wires.

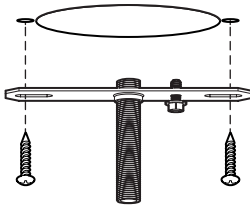
Unpack all components from the box and dispose of the packaging. Please recycle.



2 Screw the appropriate hollow stud in the universal plate.



3 Use appropriate anchors and screws to fasten the universal plate for your installation.

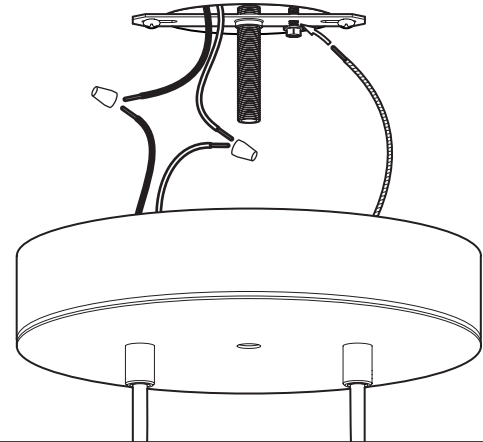


4 First, connect the junction box ground to the green screw on the mounting plate.

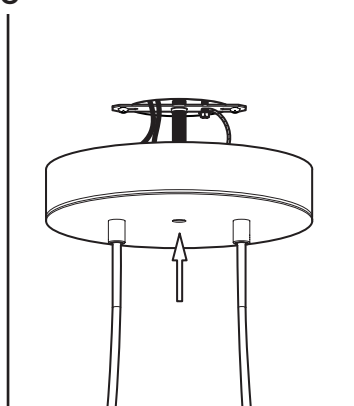
Then, connect the live and neutral wires. If the installation requires it, connect the Dali dimming wires.

(Shut off main power at the circuit breaker panel)

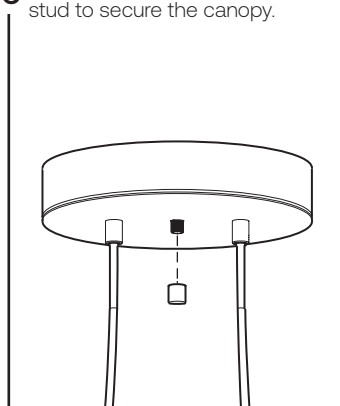
Ceiling wires	Fixture wires	For Dali dimming 220V only
Live	120V - 220V Black Brown	
Neutral	White Blue	Purple + DC+
Ground	Green screw	Grey - DC-



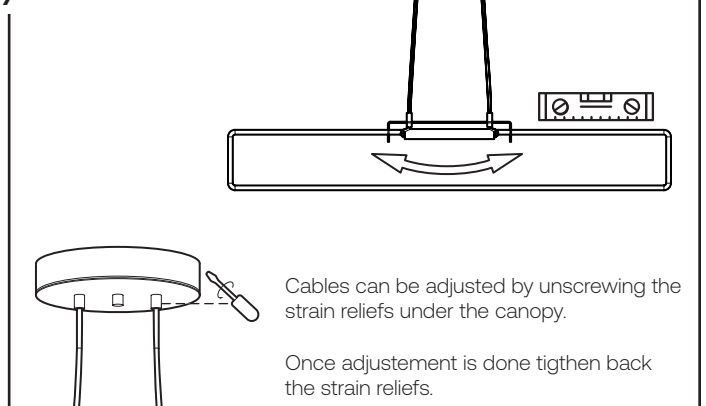
5 Push up the canopy to the ceiling.



6 Screw the cap to the hollow stud to secure the canopy.



7 To adjust the lamp you can use a level.



Cables can be adjusted by unscrewing the strain reliefs under the canopy.

Once adjustment is done tighten back the strain reliefs.