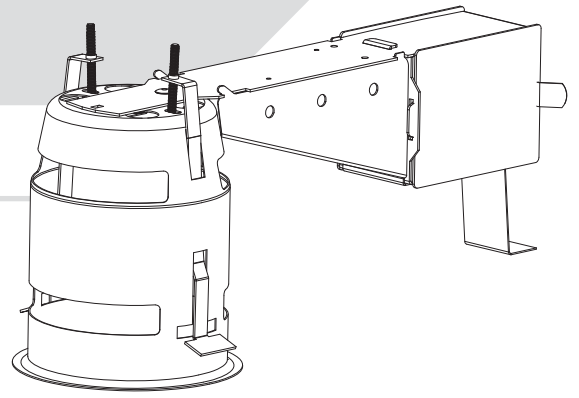


INSTALLATION INSTRUCTIONS

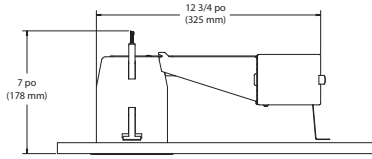
Remodel Housing - 200 and 300 Series

DO NOT INSTALL IN INSULATION - SUITABLE FOR DAMP LOCATION

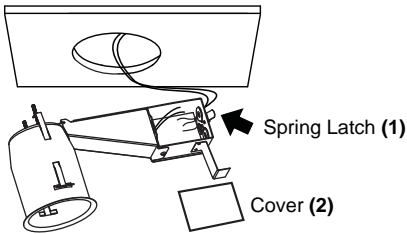
RELD200LE1 - RELD200LE2 - RELD300LE1 - RELD300LE2 - RELD200LD1 - RELD200LD2
 RELD300LD1 - RELD300LD2 - RELD200LA1 - RELD200LA2 - RELD300LA1 - RELD300LA2



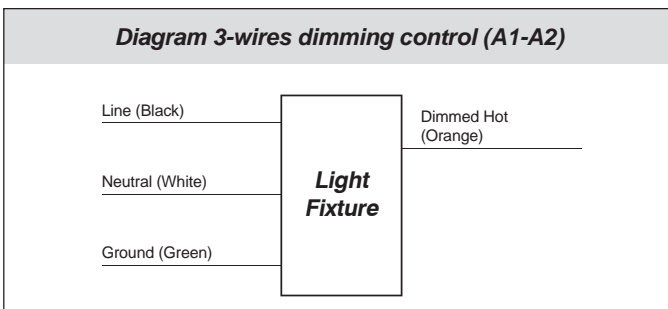
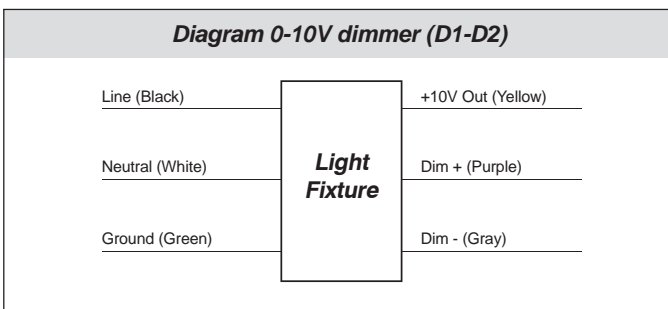
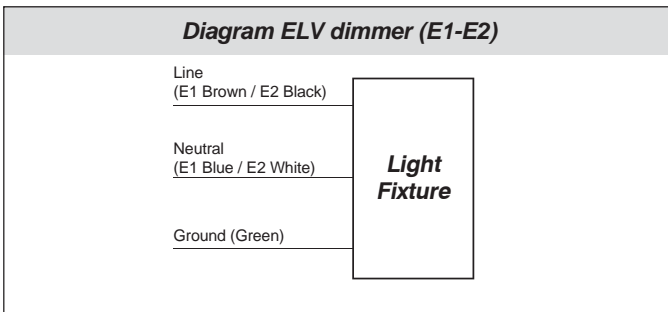
A 7" minimum clearance inside the ceiling is required to ensure proper installation of this housing.



- SHUT OFF ELECTRICAL SUPPLY AT SOURCE.**
- Bring the electrical wiring to the housing as per applicable local electrical codes.
- Cut the hole to a diameter of:
200 Series: Ø 4 1/4" (108 mm)
300 Series: Ø 3 5/8" (92 mm)
- Remove the junction box cover by pushing on the spring latch (1).



- Connect the wires based on diagrams below. Close the junction box.



Please keep these installation instructions for future maintenance.



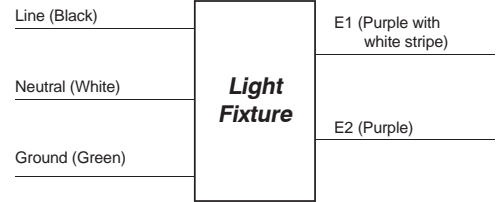
CAUTION The use of another company's (non-Contrast) products or components in conjunction with Contrast products may not be covered by UL approvals, and could be hazardous. Such use automatically voids all Contrast warranties and responsibility for any problems that may result from such use.



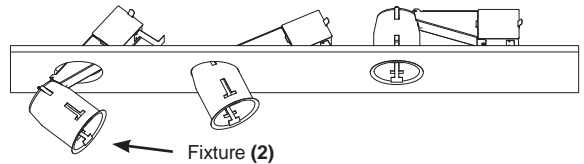
WARNING SHOCK AND FIRE HAZARD
 Most dwellings built before 1985 have supply wires rated 60°C. Consult a qualified electrician before installing.

Please visit the Website to see the list of compatible dimmers or for more details.

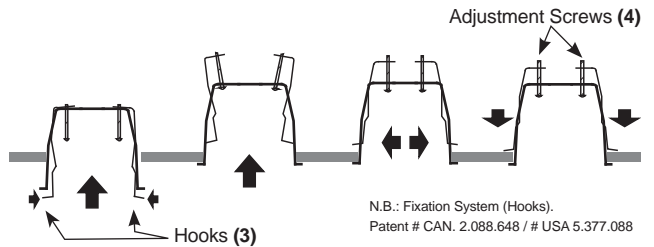
Diagram Ecosystem Digital Control (A1-A2)



- Insert fixture (2) in the ceiling opening.



- Push the fastening hooks (3) through the lateral openings and fasten the fixture with the adjustment screws (4).



- Install the trim.

Connect the male and female connectors.

Push connected wires in the pot then push the trim in the can.

