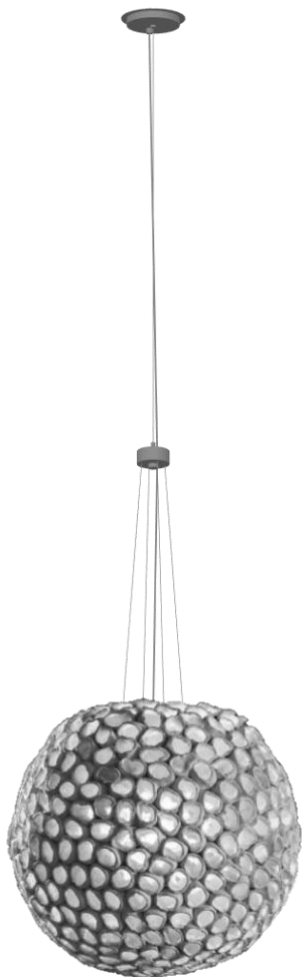


## CHANDELIER R-D32001



110-130 V AC, 50/60 Hz  
MAX 100W

### *Technical characteristics*

Model: CHANDELIER R-D32001

Description: Hand formed ceramic chandelier with painted metal parts.

Dimension (appr.): W 22.0 in/55.9 cm, D 22.0 in/55.9 cm, H min-max 66.9-118.1 in/170.0-300.0 cm - Weight 79.3~97.0 lb/36.0~44.0 kg

The dimension may deviate from the values indicated, because the glass is handmade.

Voltage: 110-130 VAC 50/60 Hz

Maximum total power: 60W

Lamp type: E/26

CL1 – IP20 – Only for indoor use.

### *Safety Instruction*

#### **General security:**

Before using the lamp read carefully the instructions and keep them for future reference. The producer disclaims any liability in case of failure to follow the instructions. The lamp is designed for indoor use.

#### **Risk of injury:**

Keep children away from the pack, some parts may choke the children. Keep children away from the lamp, do not leave them near the lamp without supervision. Do not touch the lamp when it has been put off recently, risk of burns. Do not look directly or for a long time at the light of the lamp, risk for sight. Replace the lamp only after having cut off the power and allow the unit to cool down. Keep animal away from the lamp.

#### **Electrical risk:**

The lamp is designed for use in dry or slightly damp environment. Connect the lamp only to electrical networks complying to technical characteristics of the lamp. Check the integrity of the lamp before use. Do not use if damaged. Do not modify or try to repair the lamp, contact specialists. Before cleaning cut down electrical power. During storms or when replacing the lamp cut down electrical power from the lamp. The lamp cannot be installed in water or be soaked.

#### **Position:**

Position the lamp at a security distance from flammable materials. Do not position in rooms extremely warm or humid, in direct sunlight or in rooms with large temperature fluctuations. Install the lamp to a ceiling that can support the weight and preserve it from damage.

#### **Damage:**

Do not cover the lamp with curtains or other fabrics, fire risk. Use only light bulbs that comply with technical characteristics of the lamp.

**RENG.**

**WARNING:**

- Handle with particular care and caution.
- Install the Chandelier only by qualified person.
- The Chandelier must be installed by three people.
- Make sure that the ceiling is suitable for supporting the weight of the Chandelier.

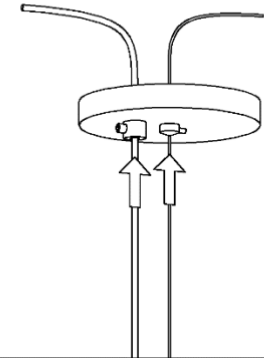
**ASSEMBLY INSTRUCTIONS:**

- Remove the voltage to the mains power.
- Unscrew the lock screw of the electrical cable and of the steel cable. FIG.01
- Insert the electrical cable and the steel cable in to the canopy. FIG.02
- Unscrew the cylindrical lock supports of the steel cable. FIG.03
- Option: If necessary, insert the metal disk to hide the J-BOX. FIG.04
- The Chandelier must be fix to the main structure by the steel cable.
- Fix the Chandelier to the main structure using the cylindrical locks support. FIG.05
- If necessary, remove the excess steel cable.
- Screw the cylindrical lock supports of steel cable. FIG.06

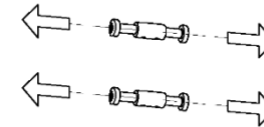
01



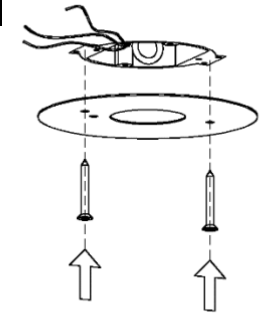
02



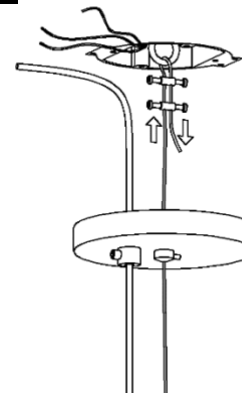
03



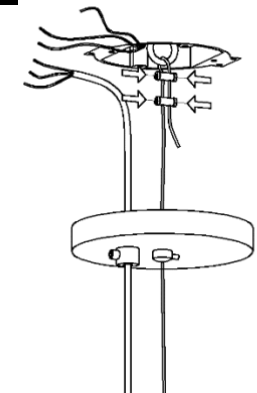
04



05



06



- Plug the Chandelier to the mains power. FIG.07
- Place the canopy on the ceiling. FIG.08
- Screw the lock screw of electrical cable and of steel cable. FIG.09
- Lift the structure with the lampholder. FIG.10
- Insert the light bulb. FIG.11
- Place the structure with lampholder in the right position. FIG.12

