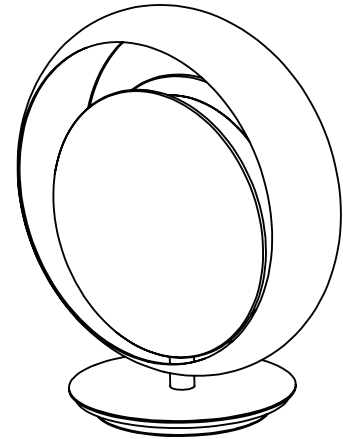


Ring

Ilmiodesign

Ring T



ADVERTENCIAS

- Se recomienda que la instalación sea realizada por un profesional.
- Desconectar la conexión a red antes de ser manipulada.
- Si el cable de la luminaria está dañado, deberá sustituirse exclusivamente por el fabricante o su servicio técnico.
- Para limpiar la luminaria, utilizar un paño suave humedecido con agua y, si fuera necesario, detergente neutro. No usar alcohol u otros disolventes.

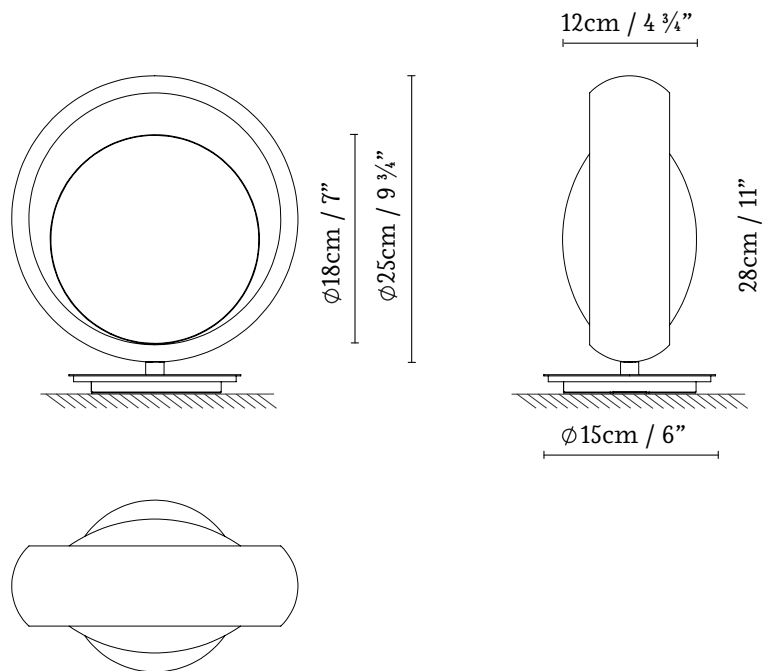
WARNINGS

- The light should be installed by a professional electrician.
- Disconnect from the power system before handling the light.
- If the lamp cable is damaged, it should only be replaced by the manufacturer or its technical service.
- To clean the lamp, use a soft cloth dampened with water and, if necessary, neutral soap. Do not use alcohol or other solvents.

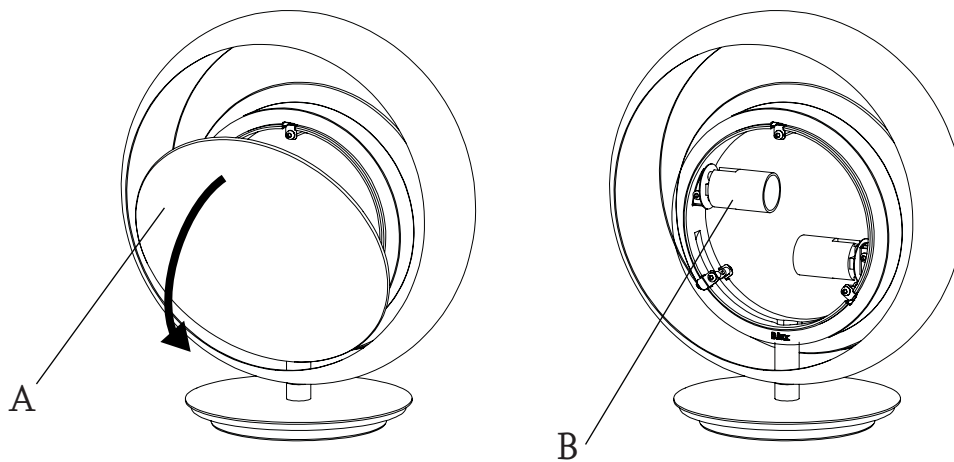
HINWEISE

- Wir empfehlen, die Installation von einem Fachmann vornehmen zu lassen.
- Unterbrechen Sie die Verbindung zum Netz vor Beginn der Arbeiten.
- Wenn das Kabel der Leuchte beschädigt ist, darf es ausschließlich vom Hersteller oder dessen technischem Dienst ausgewechselt werden. ausgetauscht werden, um jedwedes Risiko zu vermeiden.
- Zur Reinigung der Leuchte empfiehlt es sich, ein weiches, mit Wasser und, falls nötig, neutralem Reinigungsmittel befeuchtetes Tuch zu verwenden. Keinen Alkohol oder andere Lösungsmittel verwenden.

1.



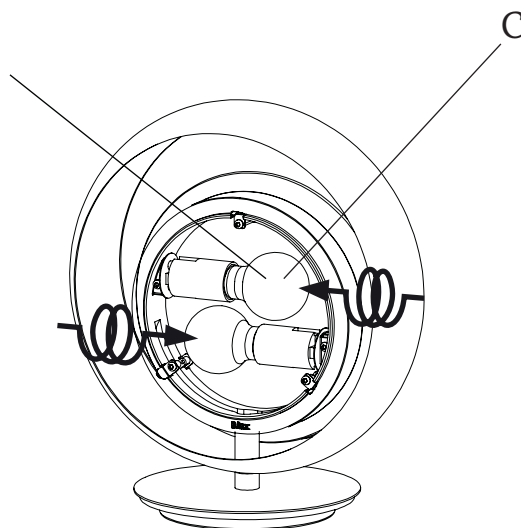
2.



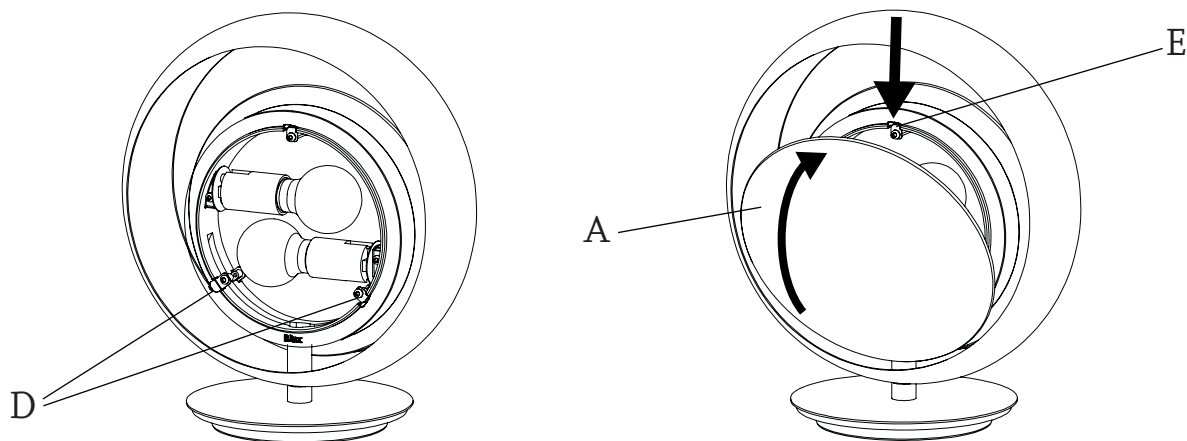
1. General dimensions of the light fitting.
2. Release a glass piece (A) by pulling from the top out. The lamp holder (B) will now be visible.

3.

Max. Diameter 45mm
E12. 2 Lamp Type G14



4.

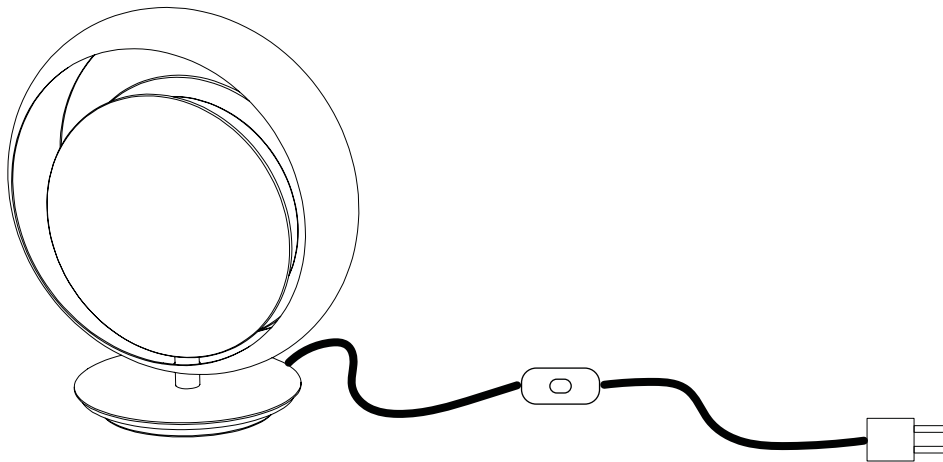


3. Screw in the two light bulbs (C).

4. Carefully replace the glass piece (A).

First align the two lower clamps (D) on the inside of the glass. Finish replacing the glass by pressing the upper clamp (E) with a finger until it moves into position and supports the glass.

5.



5. Plug in the light fitting and it's ready to be switched on.

Lamps without the IP mark are classed as IP20 and are designed for general indoor use, except wet areas (bathrooms, etc.)

- Lamps with the IP mark are designed for outdoor use and in wet areas. (E.g. IP54)
- They offer guaranteed protection to people and animals against electric shocks:

Class I: through single electrical insulation and an earthing conductor once correctly connected.



Class II: through double electrical insulation.



Class III: these kinds of lamps should be connected at very low voltage levels (generally 12V); therefore there is no risk.



• Lamps with this symbol, or without any symbols, can be mounted directly onto normally inflammable surfaces.



• Lamps with this symbol cannot be mounted directly onto normally inflammable surfaces.

• The safety of this lamp is guaranteed by using a maximum wattage bulb that does not exceed the figure displayed visibly on the lamp.



• The product cannot be treated like conventional domestic waste; it must be taken to the appropriate recycling station for electrical and electronic equipment.