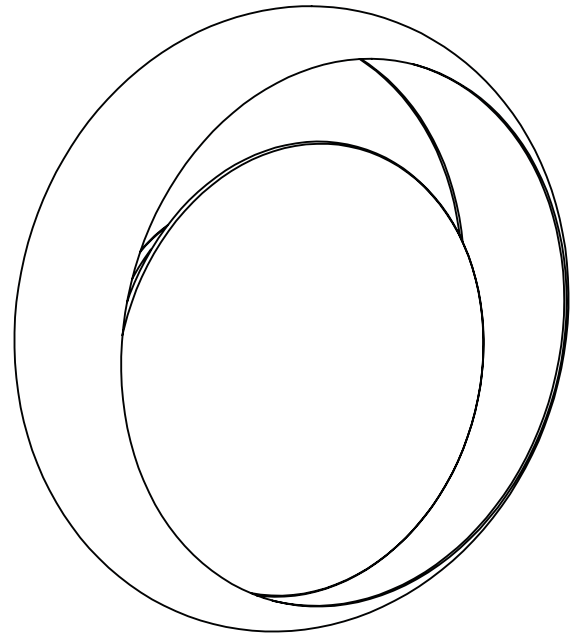


# Ring

Ilmiodesign

Ring W1



## ADVERTENCIAS

- Se recomienda que la instalación sea realizada por un profesional.
- Desconectar la conexión a red antes de ser manipulada.
- Para limpiar la luminaria, utilizar un paño suave humedecido con agua y, si fuera necesario, detergente neutro. No usar alcohol u otros disolventes.

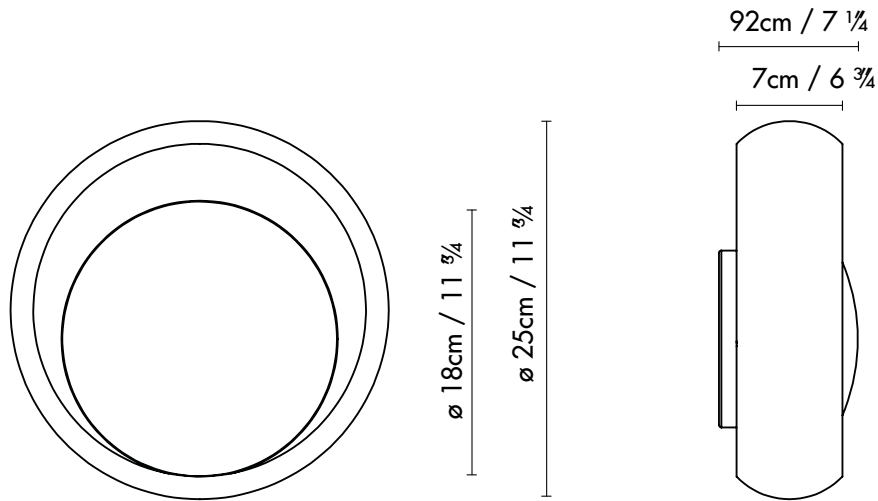
## WARNING

- The light should be installed by a professional electrician.
- Disconnect from the power system before handling the light.
- To clean the lamp, use a soft cloth dampened with water and, if necessary, neutral soap. Do not use alcohol or other solvents.

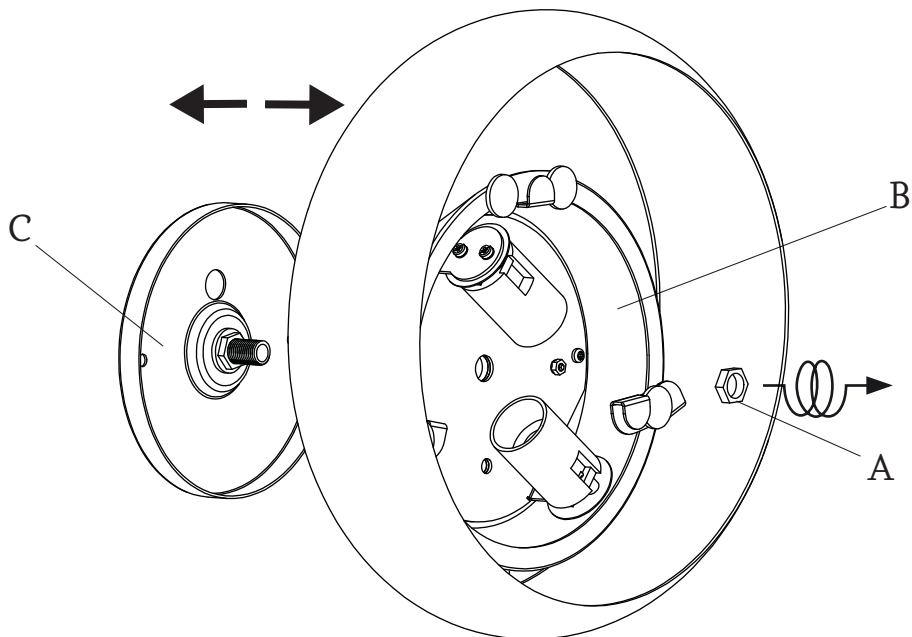
## HINWEISE

- Wir empfehlen, die Installation von einem Fachmann vornehmen zu lassen.
- Unterbrechen Sie die Verbindung zum Netz vor Beginn der Arbeiten.
- Zur Reinigung der Leuchte empfiehlt es sich, ein weiches, mit Wasser und, falls nötig, neutralem Reinigungsmittel befeuchtetes Tuch zu verwenden. Keinen Alkohol oder andere Lösungsmittel verwenden.

1.



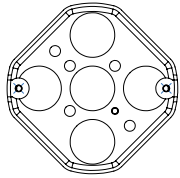
2.



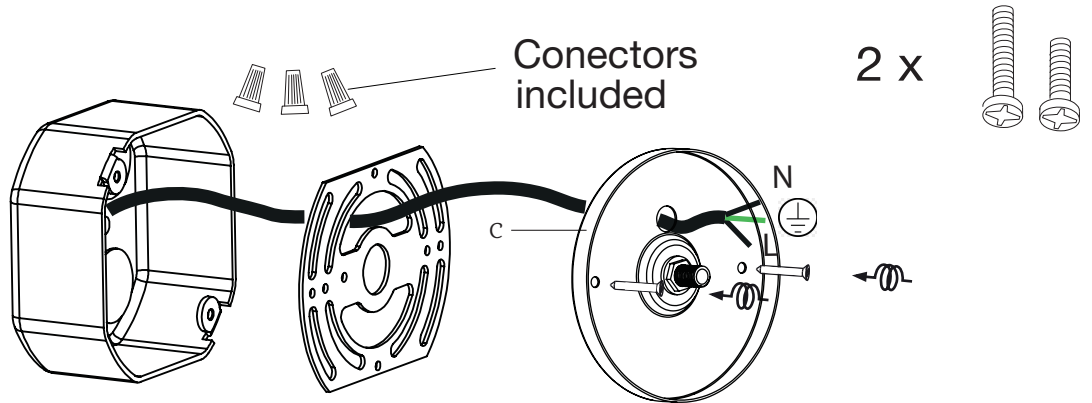
1. General dimensions of the light fitting.

2. Unscrew the nut (A) from the light fitting (B) and remove the bracket (C).

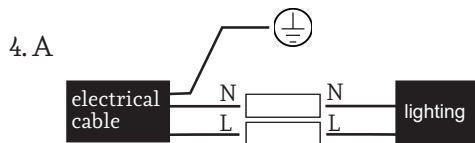
3.



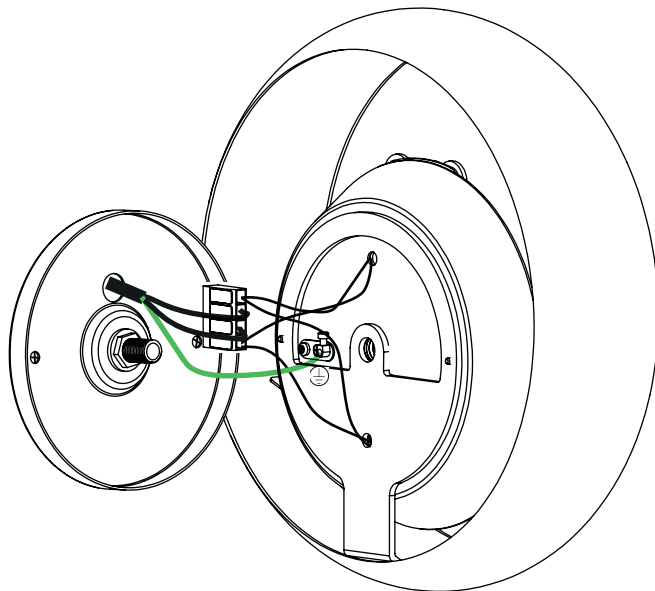
OutletBox  
not included



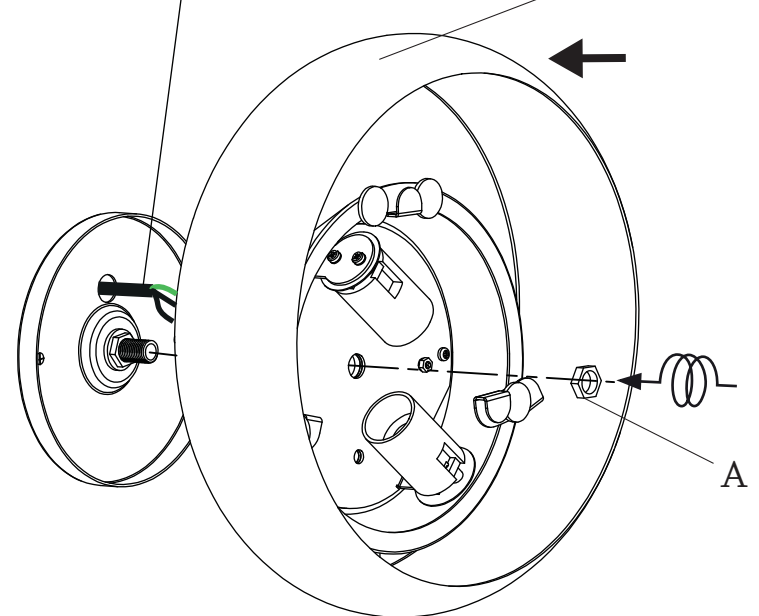
4.



4. B



Be careful with the cables when putting the pieces together.

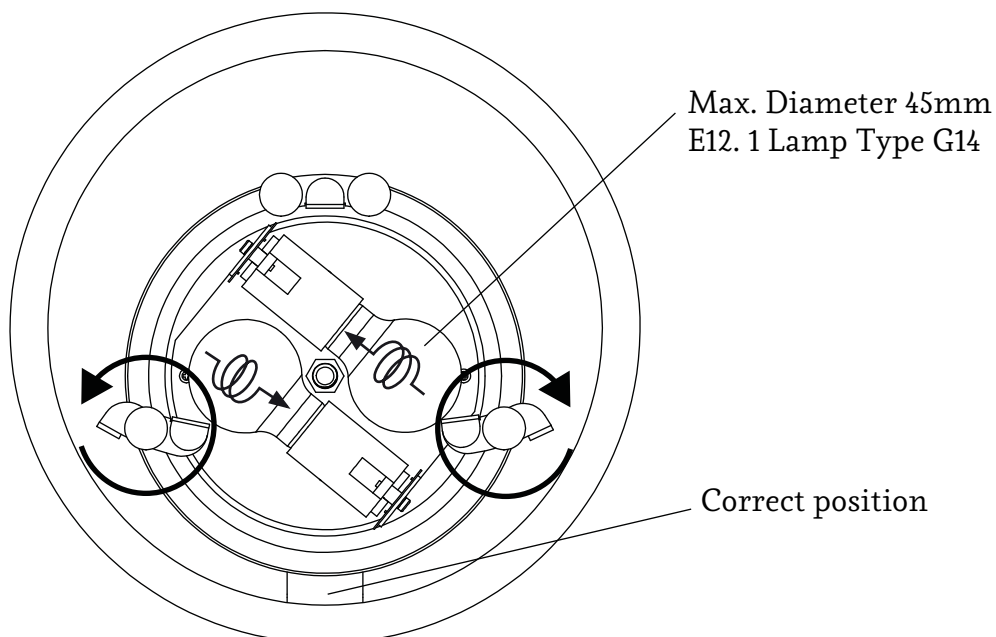


3. Thread the electrical supply cable through the hole in the bracket (C) and tie the bracket to the wall using the studs, washers and screws.

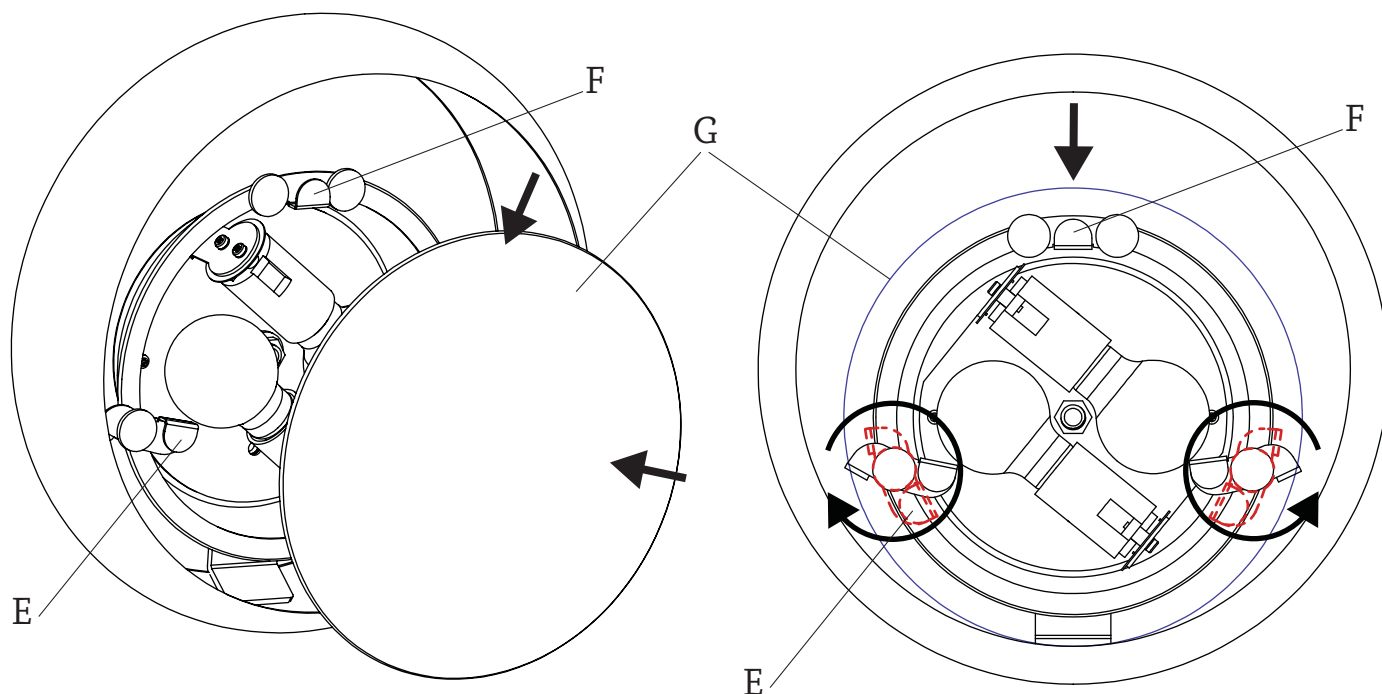
4. A. Make the electrical connection as shown in the diagram.

4. B. Attach the light fitting (B) to the bracket using the M10 nut (A).

5.



6.



5. Turn the latches (E) so the glass fits and install the light bulbs.

6. Place the glass (G) in position by first hanging it from the bracket (F) and then turning the latches (E).

Lamps without the IP mark are classed as IP20 and are designed for general indoor use, except wet areas (bathrooms, etc.)

- Lamps with the IP mark are designed for outdoor use and in wet areas. (E.g. IP54)
- They offer guaranteed protection to people and animals against electric shocks:

Class I: through single electrical insulation and an earthing conductor once correctly connected.



Class II: through double electrical insulation.



Class III: these kinds of lamps should be connected at very low voltage levels (generally 12V); therefore there is no risk.



• Lamps with this symbol, or without any symbols, can be mounted directly onto normally inflammable surfaces.



• Lamps with this symbol cannot be mounted directly onto normally inflammable surfaces.

• The safety of this lamp is guaranteed by using a maximum wattage bulb that does not exceed the figure displayed visibly on the lamp.



• The product cannot be treated like conventional domestic waste; it must be taken to the appropriate recycling station for electrical and electronic equipment.