

# ROSETTE

textile cord set with canopy | user guide



UIMAGE



## WITH LOVE FROM COPENHAGEN

At UIMAGE, our designers take inspiration from the distinct nature of the Nordic landscape to create unique designs related to the way we live in an urban setting. Influenced by the design language, colours and materials found around us in Scandinavia, we create a collection that is rooted in our home but designed for everyone.

Versatile, flexible and multifunctional, our designs are created to enhance an urban lifestyle in smaller spaces!

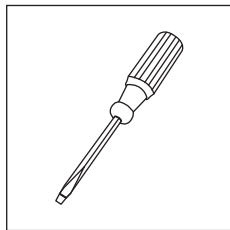
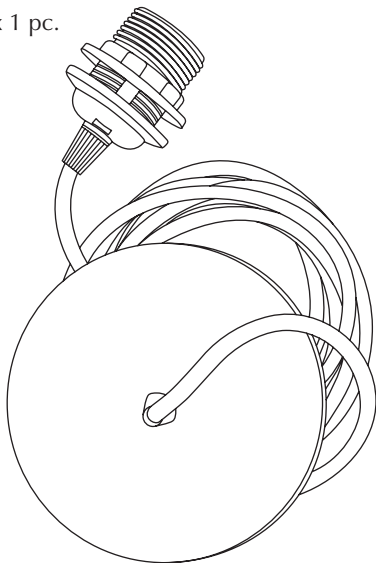


DESIGNED BY  
SØREN RAVN CHRISTENSEN

“ To get the perfect  
light, you need the  
perfect shade. „

## ASSEMBLY GUIDE

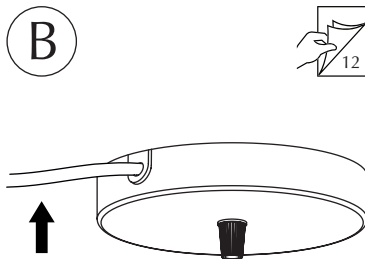
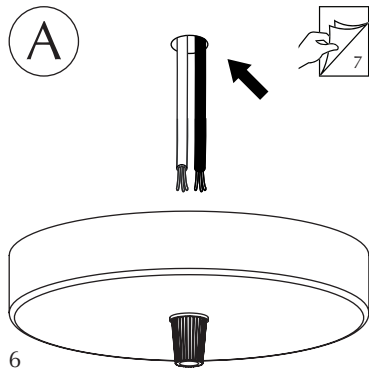
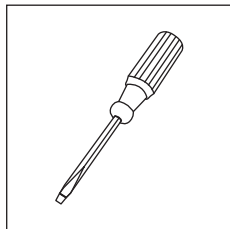
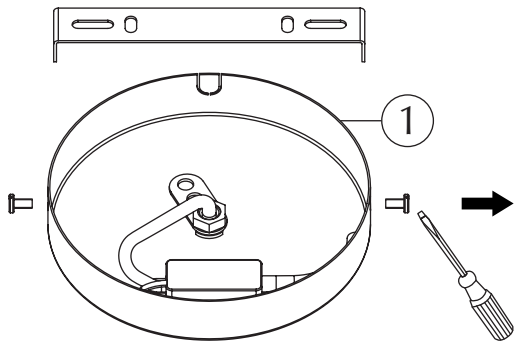
① x 1 pc.



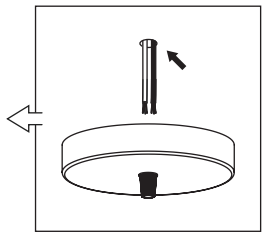
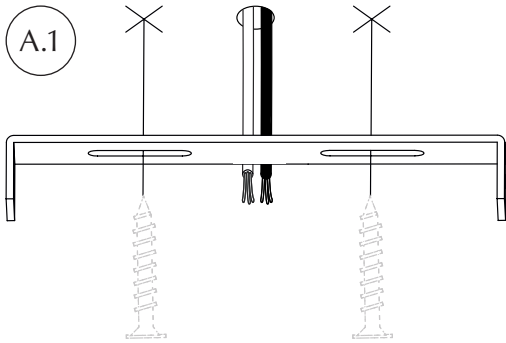
② x 1 pc.



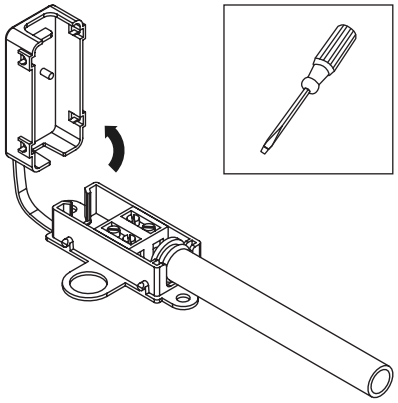
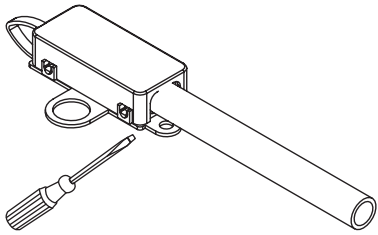
Find assembly videos by using the QR code or by going online at our website  
**[umage.com/instructions](http://umage.com/instructions)**



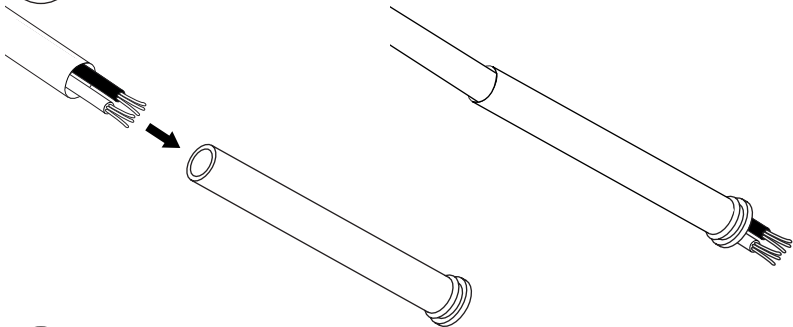
A.1



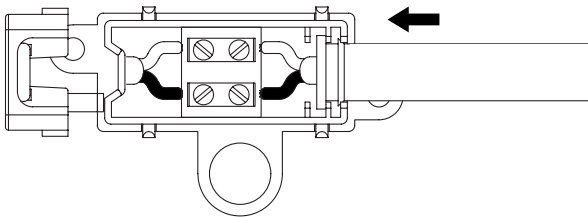
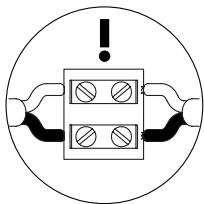
A.2



A.3

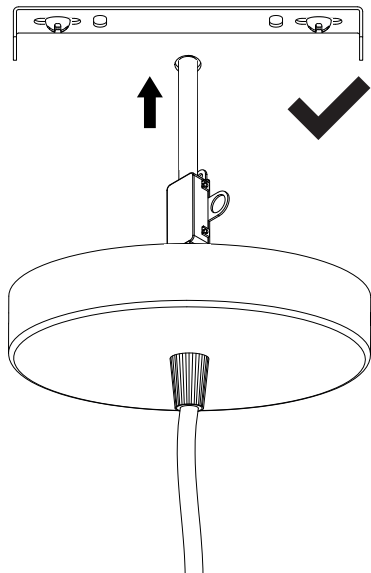
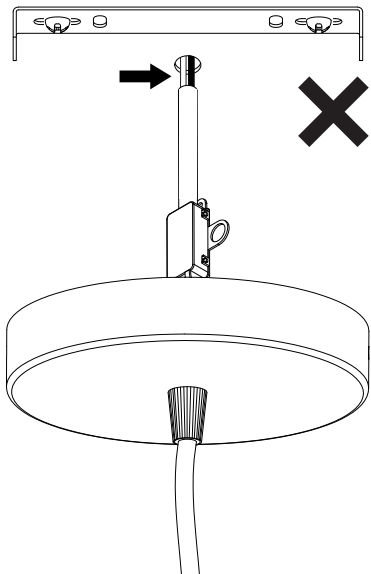


A.4

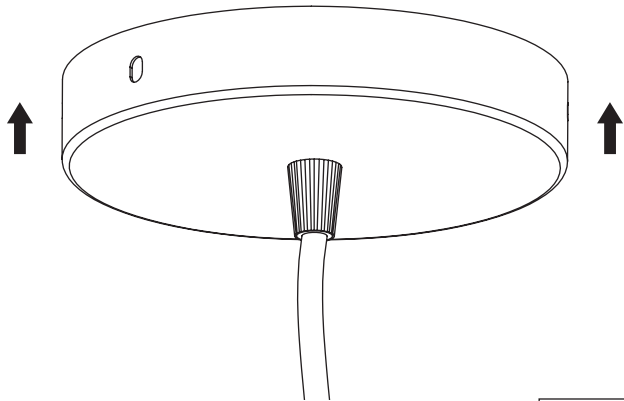




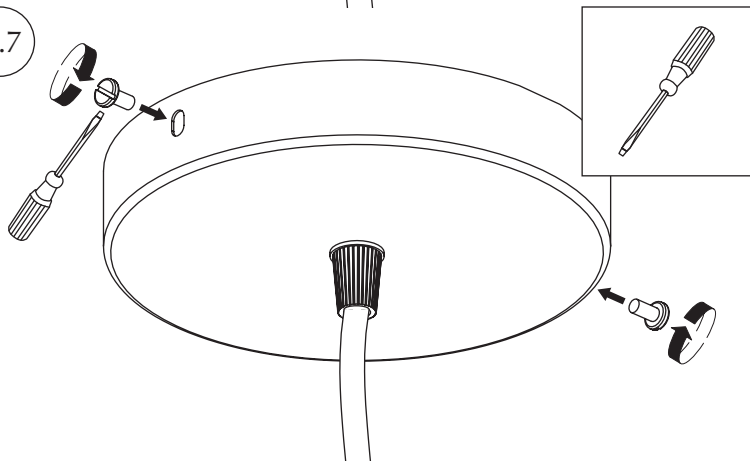
A.5



A.6

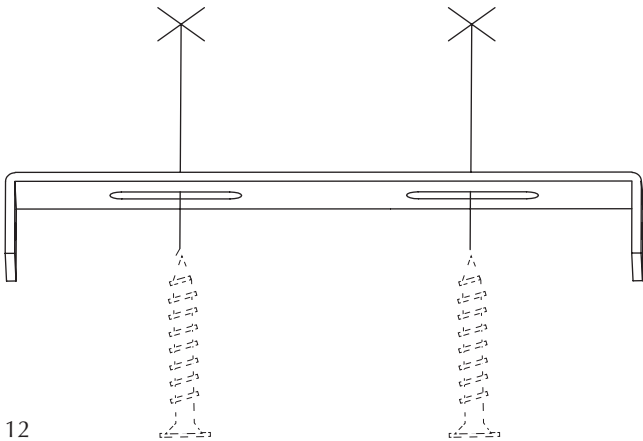
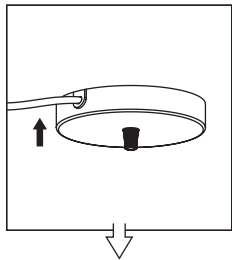


A.7

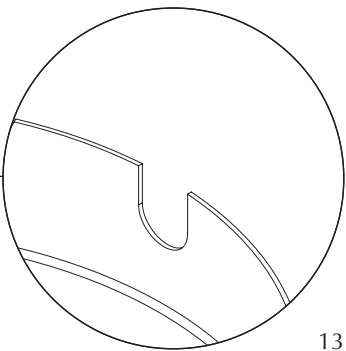
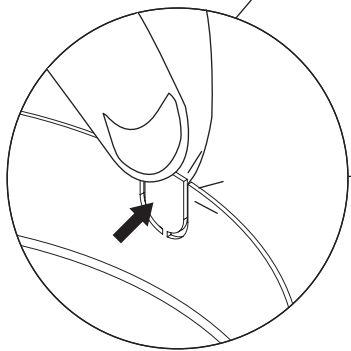
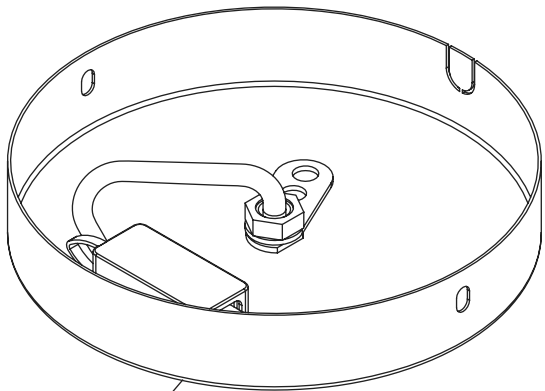




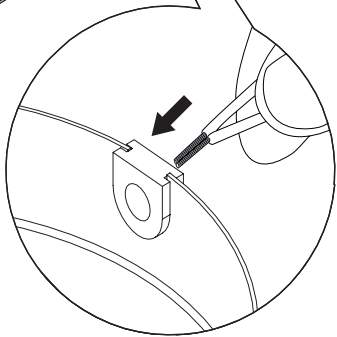
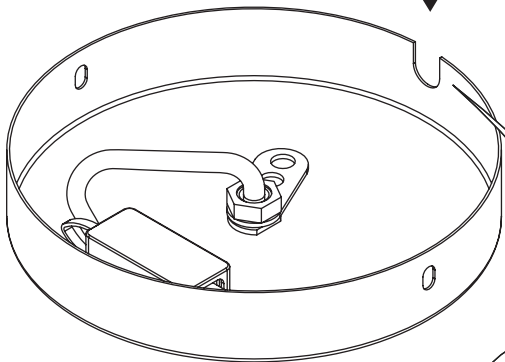
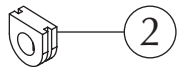
B.1



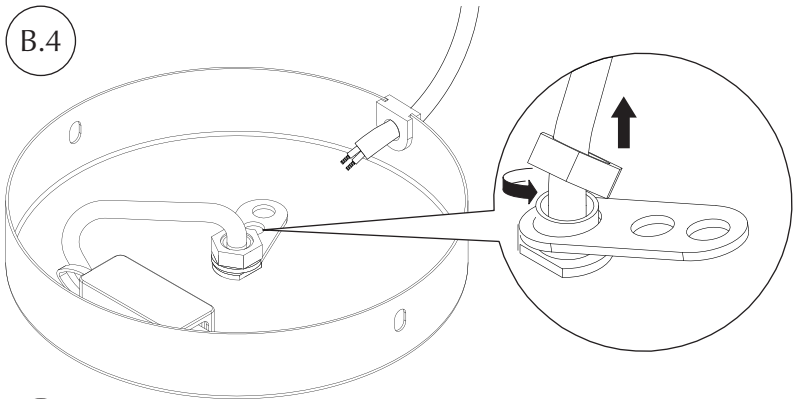
B.2



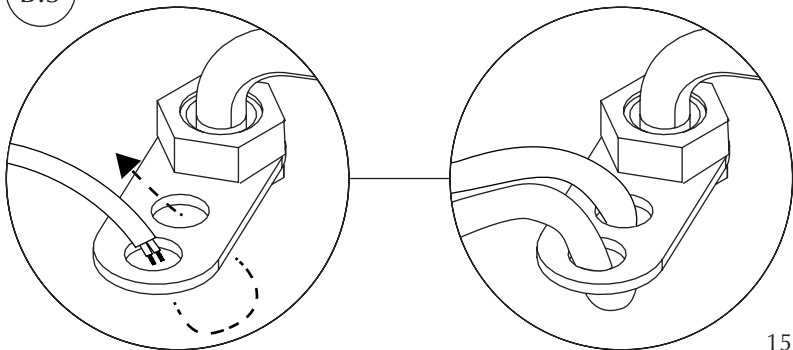
B.3



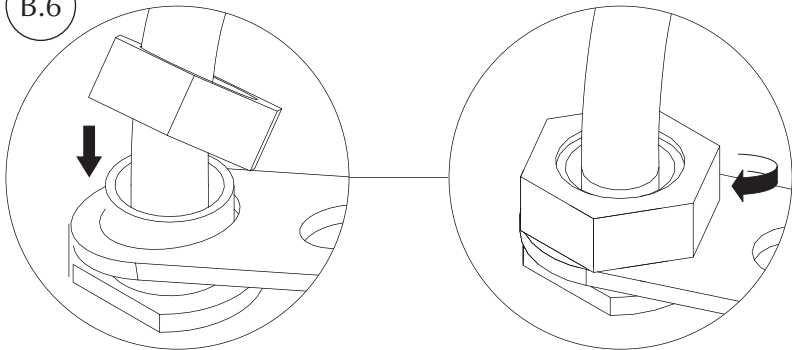
B.4



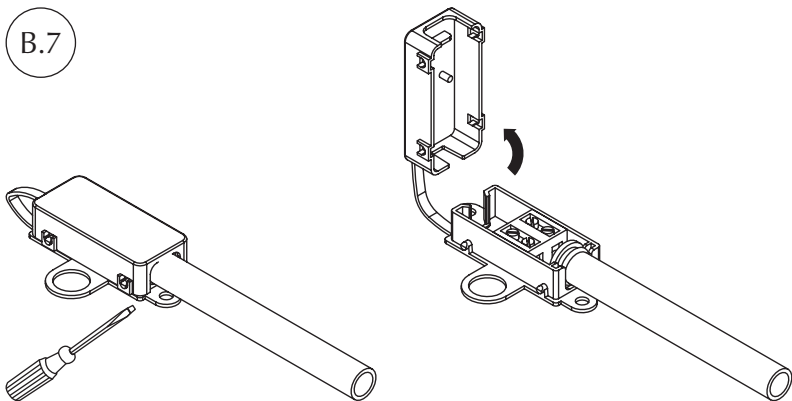
B.5



B.6

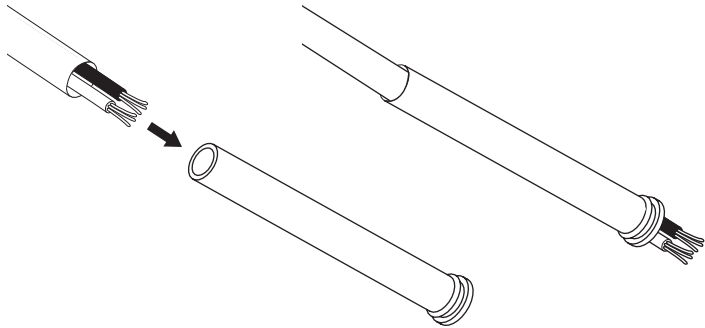


B.7

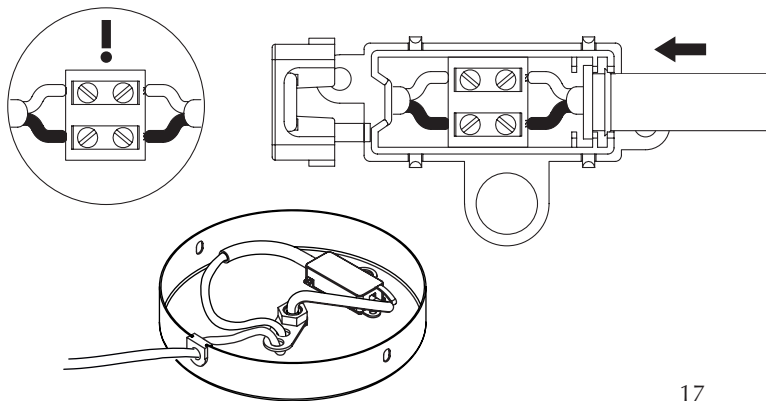




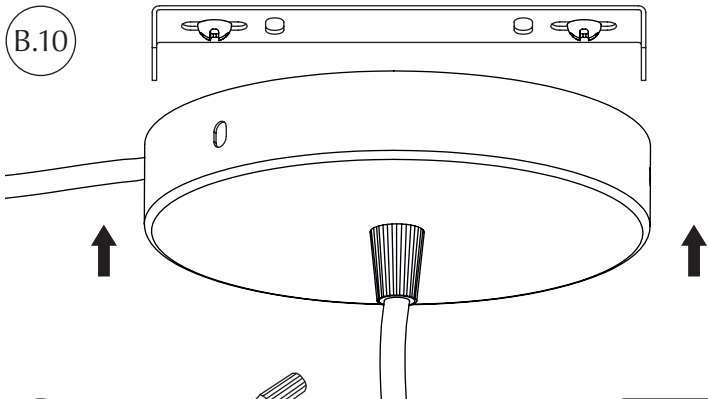
B.8



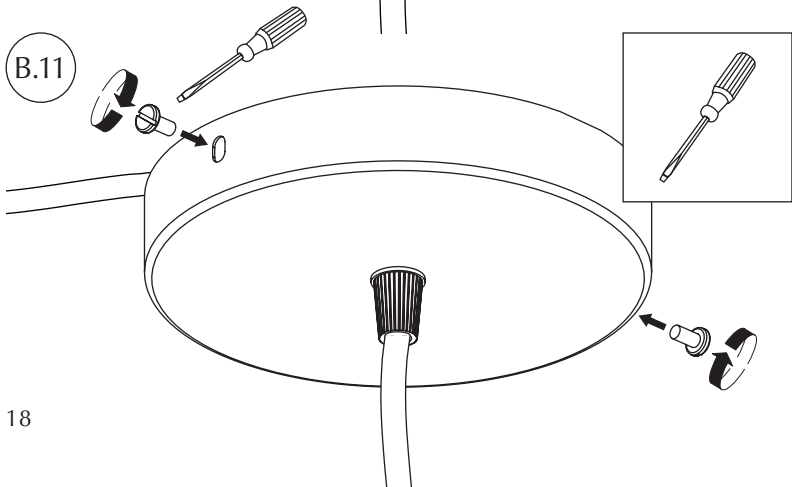
B.9



B.10



B.11



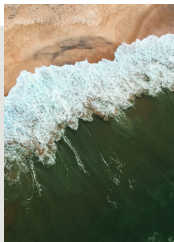
**EOS**  
x-large | light brown



## SUSTAINABLE SUSTAINABILITY EFFORTS

We are dedicated being sensible frontrunners on the environmental responsibility. If we provide timeless and functional quality designs that last, we know nature will prevail, as will UIMAGE.

*"SAVING THE SCENT OF THE FOREST  
AFTER AN EARLY MORNING RAIN"*



### GIVING BACK TO NATURE

In collaboration with the NGO One Tree Planted, we are planting a tree every time one of our designs made from wood are being sold.

## MULTIFUNCTION AND FLEXIBILITY

One of the key aspects of the designs at UIMAGE is multiple functions and flexibility. Designing with more than one function in mind is a sustainable mindset as it reduces the number of products you need to buy to get a complete setting for your space.



## REUSABLE PACKAGING

To minimize packaging waste, most of the packaging from our lighting collection is repurposed to be used as beautiful storage boxes afterwards. Learn more on the next page...



## REUSABLE PACKAGING

With your new lamp, you have also received a free decorative storage box for the shelf.

### THIS IS HOW IT WORKS

When your new lamp is out of the box you can keep the box and reuse it as a storage box for your small bits and bobs and place it on the shelf or on the top of your closet - repurposing the packaging for you and the environment.



So not only are UIMAGE's designs flat-packed to optimize the global logistics and the environmental footprint, but it ensures that you don't need to throw away tons of packaging material, that can just as well be reused for something new.

Read more about our many sustainability efforts:  
[umage.com/sustainability](https://umage.com/sustainability)



Please follow the marked icons on the packaging materials for correct disposal of the remaining packaging materials:



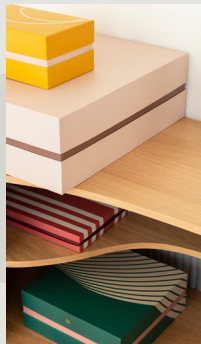
CARDBOARD



PAPER



Recycle your waste correctly  
by searching for these icons on  
the packaging



FOLLOW US ON SOCIAL MEDIA



@umagedesign | #umagedesign | umage.com



  
UIMAGE



220523





# SWAG KIT

textile cord set | user guide



UIMAGE



## WITH LOVE FROM COPENHAGEN

At UIMAGE, our designers take inspiration from the distinct nature of the Nordic landscape to create unique designs related to the way we live in an urban setting. Influenced by the design language, colours and materials found around us in Scandinavia, we create a collection that is rooted in our home but designed for everyone.

Versatile, flexible and multifunctional, our furniture and accessory collection is designed for packing the most into life in smaller spaces!

## **SAFETY PROCEDURES**

**Read and keep these instructions for future reference**

- **This product is NOT a children's toy and should NOT be used in any other manner than described throughout this user guide.**
- **Always turn electrical power off at the electrical service panel of the household before handling electrical wires. Keep electrical power turned off throughout the entire installation procedure.**
- **NEVER touch the light bulb immediately after the light has been turned off. Beware of possible scalding! Let the light bulb cool off sufficiently before changing the bulb.**

- **ONLY** use this product where the same official electrical and technical parameters, as described, exists!
- This product is for indoor use **ONLY**, excluding any wet areas.
- Do **NOT** install this product near flammable or heat-sensitive objects.
- Do **NOT** try to repair the product if any of the electrical or mechanical components are in any way broken, not as expected, or malfunctioning. Please contact a qualified electrician.

## **WARNING**

**Ignoring any of the Safety Instructions, or deviating from any of the steps in either the Installation-, the Maintenance- or the Suitable Lamp Shade section may result in a risk of fire or electric shock. You are advised to contact a qualified electrician for these procedures.**

## **INSTALLATION**

- 1. 1x A – Swag kit  
2x B – Ceiling hook  
2x C – Cord holder bracket**
- 2. Screw ceiling hooks into ceiling, making sure the thread is completely inside the ceiling. Use proper ceiling anchors, if needed (anchors not included). Different types of ceilings require different types of anchors.**

**NOTE: Ensure the ceiling hook is placed close enough to the wall outlet to avoid tension on the cord. Likewise, make sure the ceiling hooks are close enough to each other to avoid tension on the cord. Take the cord holder bracket and guide the cord through it as shown (1).**

**Confirm the cord is properly secured inside the bracket before hanging it onto the ceiling hook. The height of the lamp holder can be adjusted by repositioning the cord on the cord holder brackets.**

- 3. If desired, fasten a suitable lamp shade (not included) onto the lamp holder by unscrewing the ring from the lamp holder. Mount the lamp shade onto the lamp holder, then screw the ring back onto the lamp holder until the lamp shade is completely fastened (2).**

**NOTE: Always refer to the lamp shade manual when installing a lamp shade. See last section of the user guide for suitable lamp shade requirements.**

**Install the appropriate bulb as indicated on the label on the lamp holder for maximum wattage. Never put your fingers into a live lamp holder.**

- 4. When the lamp shade and light bulb are properly installed, turn the power on.**



## **MAINTENANCE**

- **Always turn electrical power off before cleaning the product or changing the bulb.**
- **Cleaning should be done with dry cloth. Avoid using any form of moisture, solvents and chemicals. when cleaning the product.**
- **NEVER touch the light bulb immediately after the light has been turned off. Beware of possible scalding! Let the light bulb cool off sufficiently before changing the bulb.**
- **Avoid tension on the textile cord while handling the product.**

## SUITABLE LAMP SHADES

- **The diameter of the lamp shade should NOT exceed 15.75 in (400 mm).**
- **The lamp shade should have openings in both top and bottom to facilitate heat dissipation.**
- **The minimum diameter of open area of both top and bottom of the lamp shade should NOT be less than 4 in (100 mm); The open area in both top and bottom of the lamp shade is at least 3 in<sup>2</sup> (19.3 cm<sup>2</sup>).**
- **The weight of the lamp shade should NOT exceed 5 lb (2.3 kg).**

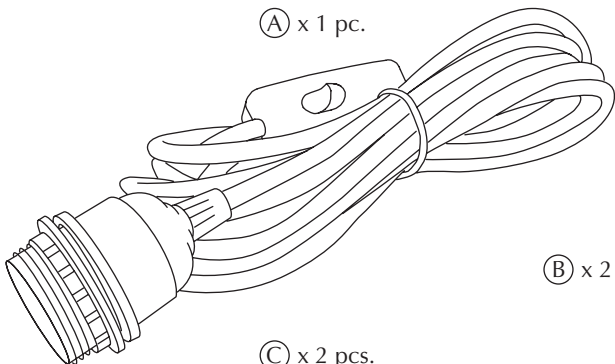
Model no.: 4009 or 4010

Rating parameter: 120V, 60HZ, AC ONLY

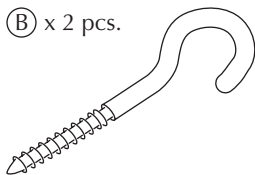
Lamp holder: E26 / TYPE A

## ASSEMBLY GUIDE

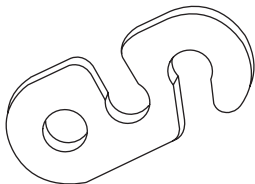
Ⓐ x 1 pc.



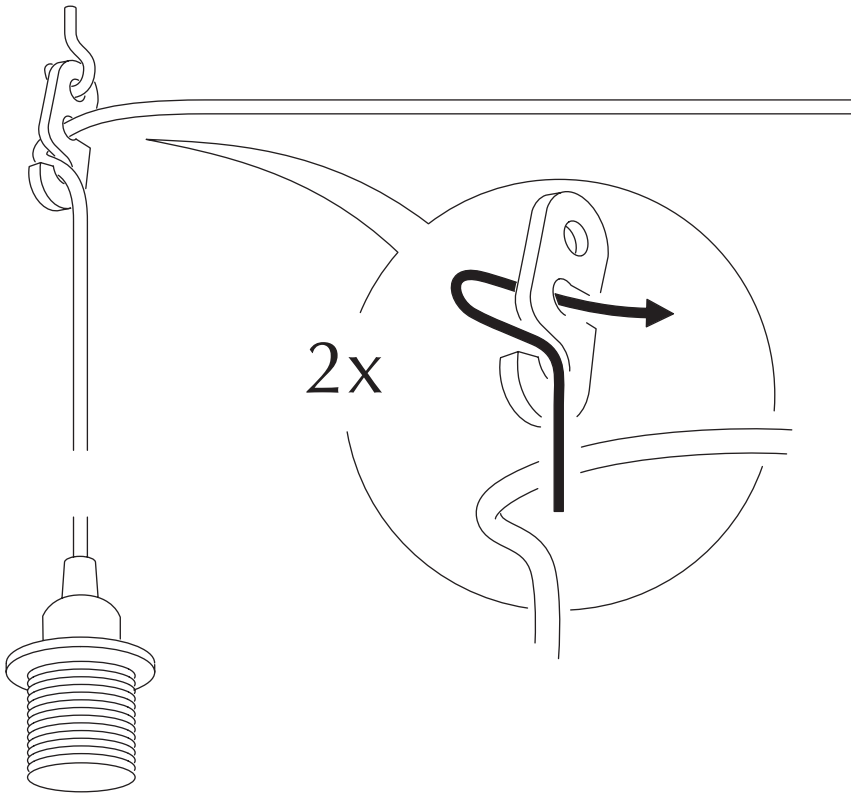
Ⓑ x 2 pcs.

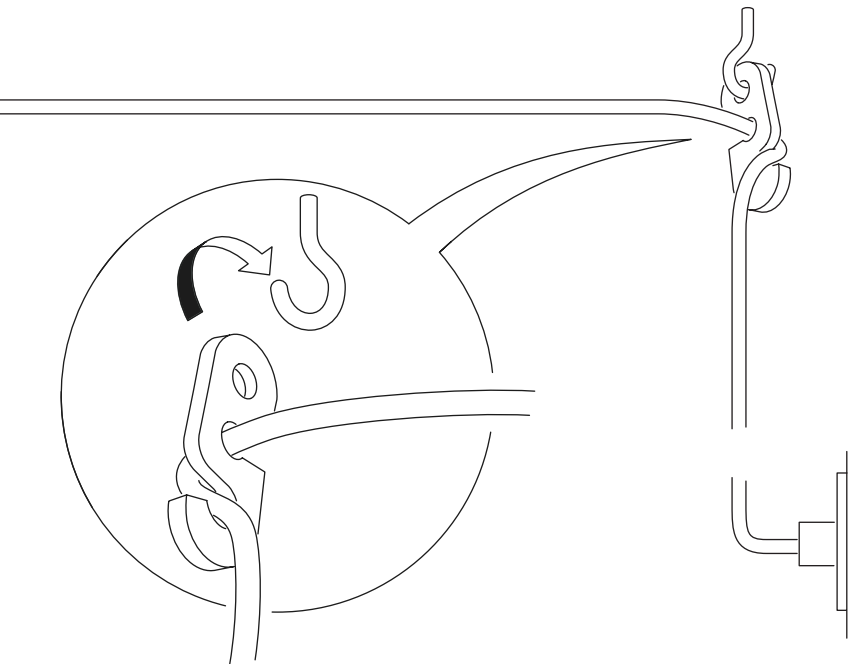


Ⓒ x 2 pcs.



Find assembly videos by using the QR code or by going online at our website  
[umage.com/instructions](http://umage.com/instructions)





**ALUIVA**

mini | brushed brass



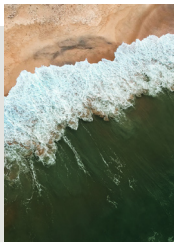
**COMFORT CIRCLE**  
dining table | oak



## SUSTAINABLE SUSTAINABILITY EFFORTS

We are dedicated being sensible frontrunners on the environmental responsibility. If we provide timeless and functional quality designs that last, we know nature will prevail, as will UIMAGE.

*"SAVING THE SCENT OF THE FOREST  
AFTER AN EARLY MORNING RAIN"*



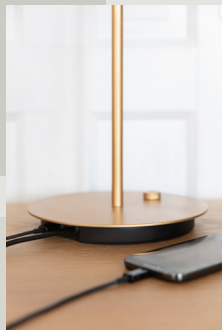
### GIVING BACK TO NATURE

In collaboration with the NGO One Tree Planted, we are planting a tree every time one of our designs made from wood are being sold.



## MULTIFUNCTION AND FLEXIBILITY

One of the key aspects of the designs at UIMAGE is multiple functions and flexibility. Designing with more than one function in mind is a sustainable mindset as it reduces the number of products you need to buy to get a complete setting for your space.



## REUSABLE PACKAGING

To minimize packaging waste, most of the packaging from our lighting collection is repurposed to be used as beautiful storage boxes afterwards. Learn more on the next page...

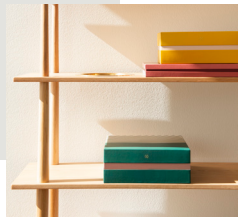


## REUSABLE PACKAGING

With your new lamp, you have also received a free decorative storage box for the shelf.

### THIS IS HOW IT WORKS

When your new lamp is out of the box you can keep the box and reuse it as a storage box for your small bits and bobs and place it on the shelf or on the top of your closet - repurposing the packaging for you and the environment.



So not only are UIMAGE's designs flat-packed to optimize the global logistics and the environmental footprint, but it ensures that you don't need to throw away tons of packaging material, that can just as well be reused for something new.

Read more about our many sustainability efforts:  
[umage.com/sustainability](https://umage.com/sustainability)



Please follow the marked icons on the packaging materials for correct disposal of the remaining packaging materials:



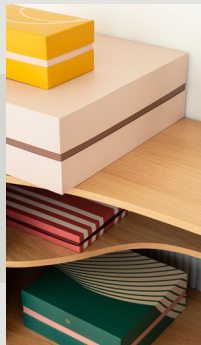
CARDBOARD



PAPER



Recycle your waste correctly  
by searching for these icons on  
the packaging



FOLLOW US ON SOCIAL MEDIA



@umagedesign | #umagedesign | umage.com



UIMAGE



220523