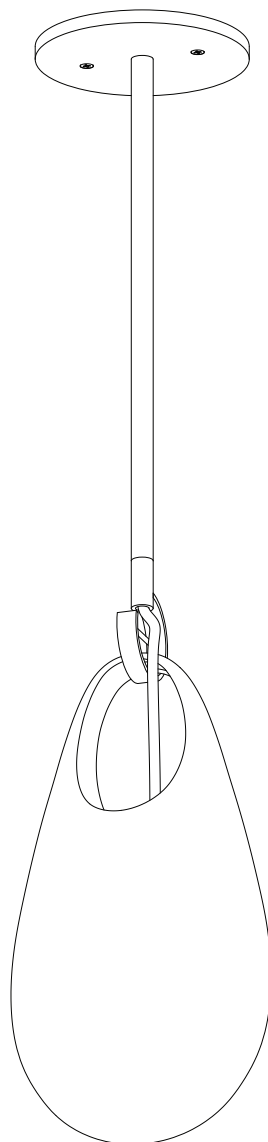




HOLD 12 PENDANT

Installation Instructions



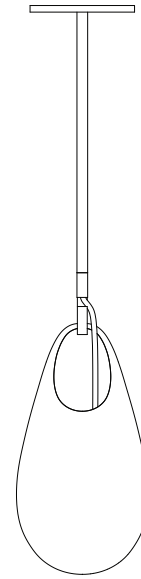


HOLD 12 PENDANT

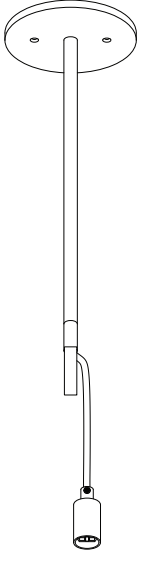
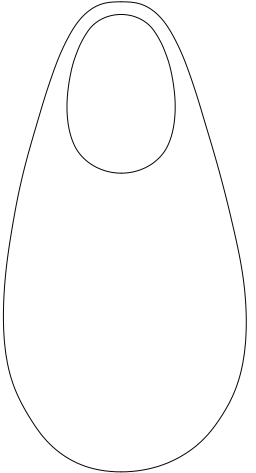
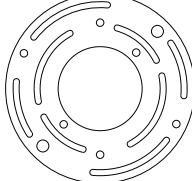

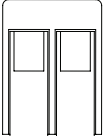

Congratulations on your purchase of a SkLO Hold 12 Pendant. This product must be installed in accordance with the applicable codes by a person familiar with the construction and operation of the product and the hazards involved, preferably a licensed electrician. Use a maximum 7W bulb.

When unpacking individual items and parts of the light fixture, make sure to lay them out on a protective surface that will neither mar the delicate metal finishes nor scratch the glass. Gloves (nitrile) are provided and must be worn during installation to avoid fingerprints on the finish of the exposed metal parts.

Your SkLO fixture will arrive with the hand-blown glass elements packed separately from the light fixture itself.



CONTENTS:

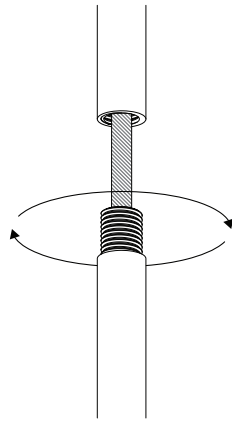
Pre-wired light fixture	Glass element	Universal crossbar	Machine screw	
				
	1x	1x	1x Light bulb	2x
			2x	 1x



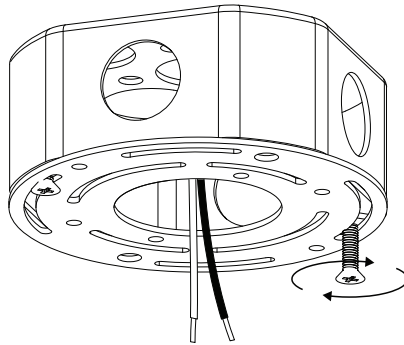
1. The canopy and the hook will come pre-assembled and wired with the fabric-wrapped electrical cord and the brass socket. The length of the cord/socket will be finished – do not adjust the length. Please do not remove the protective packaging from the brass socket during installation and wiring.
2. For lights with longer OAL lengths, the stem will be in multiple parts. Uncoil the electrical wiring at the top of the fixture and carefully pass the wires through each stem as you fasten them together. To connect the stems, first, attach one of the lengths of the stem to the fixture by threading the open female/ internally threaded end of the stem onto the exposed threaded nipple on the top of the fixture. Then, attach the remaining stem lengths by threading the open end of each stem onto the exposed nipple of the other (Figure 1).
3. Install the universal crossbar (provided) to the recessed electrical box with the 8/32 thread screws so that the 8/32 threaded holes spaced 2 3/4” on-center on the crossbar match the desired orientation of the fixture based on the countersunk holes in the canopy (Figure 2).
4. Carefully supporting the fixture, connect the exposed leads of the fixture to the exposed leads in the electrical box, following the wiring diagram and using the provided wire connectors. Attach the ground (TE) wires to ground (TE) wires of the light fixture, phase 1 (L1) to phase 1 (L1) of the light fixture, neutral (N) to neutral (N) of the light fixture (Figure 3). Please note the number and type of wire connectors may vary.
5. The canopy installs directly to the crossbar. The back of the canopy is recessed to fit over the crossbar and sit flush against the ceiling finish surface. Take care that no electrical cables or connections are exposed where the canopy meets the ceiling. Fasten the canopy by screwing the two provided 1” long 8/32 thread machine screws directly into the 8/32 threaded holes spaced 2 3/4” on-center on the crossbar through the countersunk holes provided in the canopy, making sure that the canopy sits flush against the ceiling finish surface (Figure 4). Take great care when installing machine screws so that tools do not slip and scratch the canopy finish, or damage the exposed screw head slots.
6. Remove the protective packaging from the brass socket and install the supplied LED light bulb (7W Max) into the socket (Figure 5). This fixture uses G9 sockets and light bulbs. The G9 is a bi-pin socket. Light bulbs are to be inserted and removed by pushing the bulb straight into the socket, and by pulling it straight out. The bulb, when inserted, should have a tight fit. Do not force the bulb. If there is resistance, check to make sure nothing inside the socket is bent or obstructing the bulb. Always turn off the power to the fixture when changing the bulb(s).
7. Unscrew and pull out the safety pin (Figure 6). Insert the socket with the light bulb carefully into the hole at the top of the glass diffuser, and allow it to hang freely inside the glass vessel while hanging the glass vessel on the hook (Figure 7). Screw the safety pin back into its position (Figure 8).



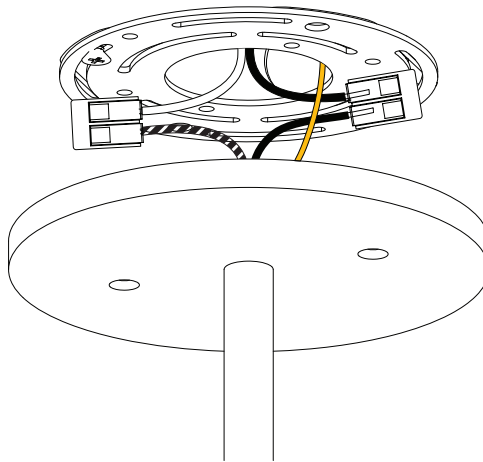
1.



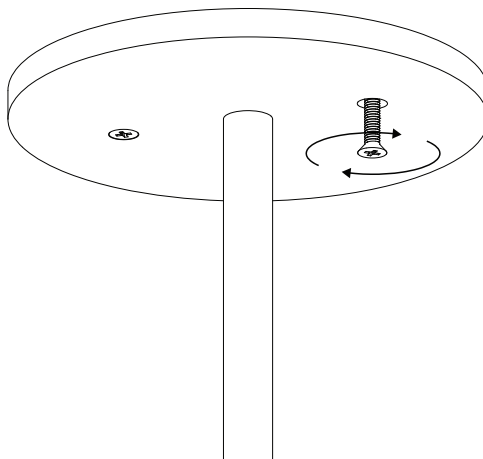
2.



3.

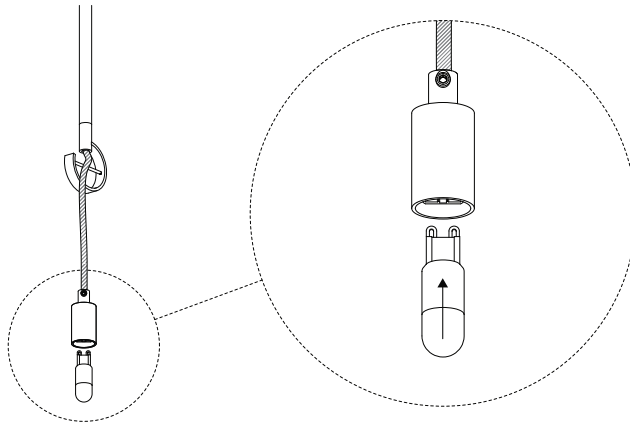


4.

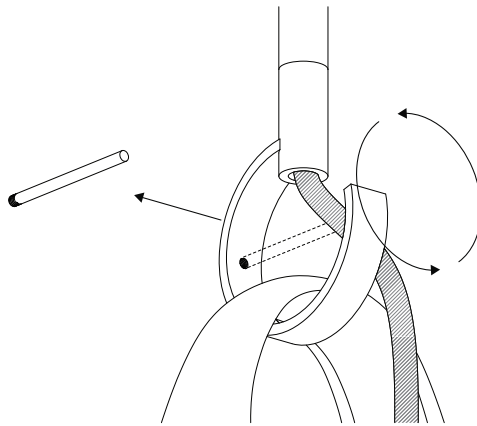




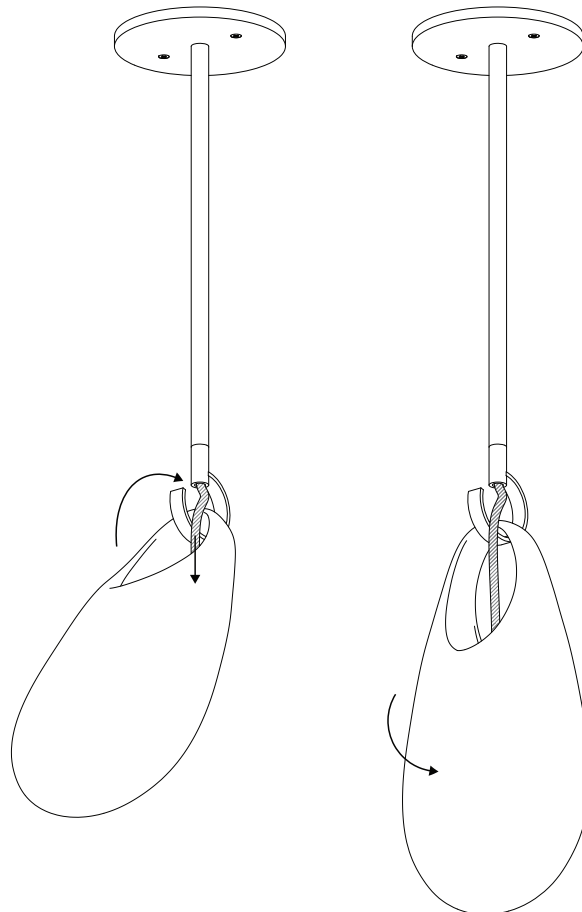
5.



6.

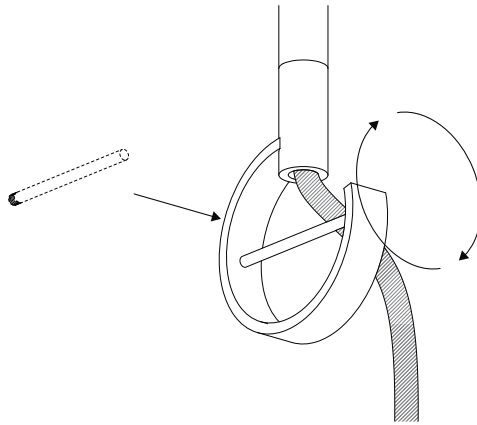


7.





8.

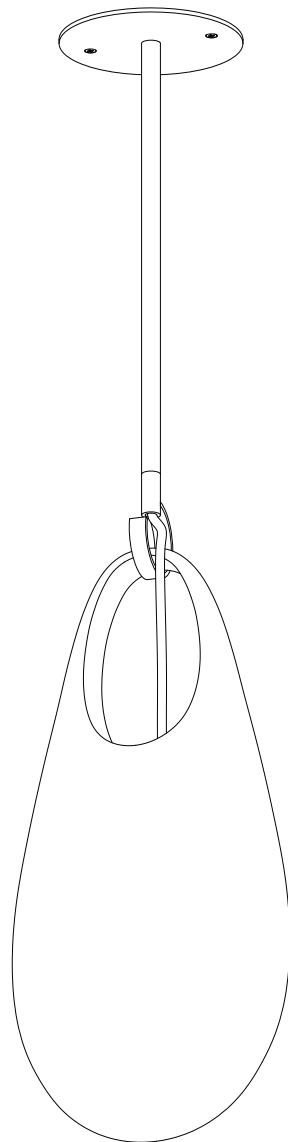


February 2025



HOLD 18 PENDANT

Installation Instructions



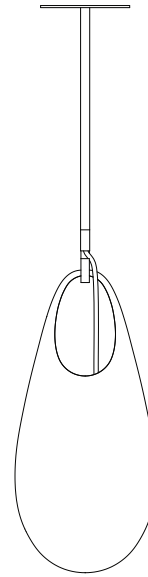


HOLD 18 PENDANT

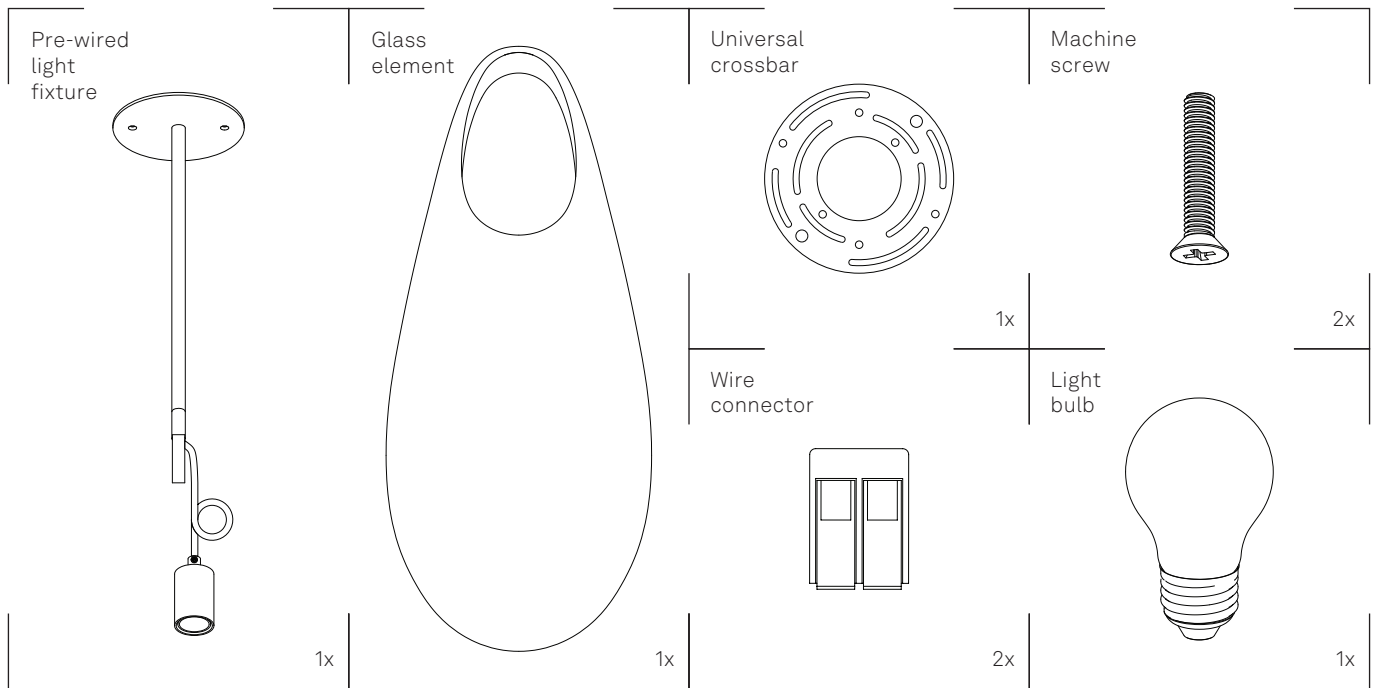
Congratulations on your purchase of a SkLO Hold 18 Pendant. This product must be installed in accordance with the applicable codes by a person familiar with the construction and operation of the product and the hazards involved, preferably a licensed electrician. Use a maximum 60W bulb.

When unpacking individual items and parts of the light fixture, make sure to lay them out on a protective surface that will neither mar the delicate metal finishes nor scratch the glass. Gloves (nitrile) are provided and must be worn during installation to avoid fingerprints on the finish of the exposed metal parts.

Your SkLO fixture will arrive with the hand-blown glass elements packed separately from the light fixture itself.



CONTENTS:

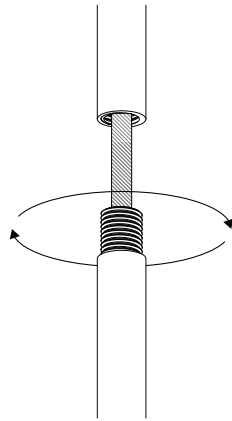




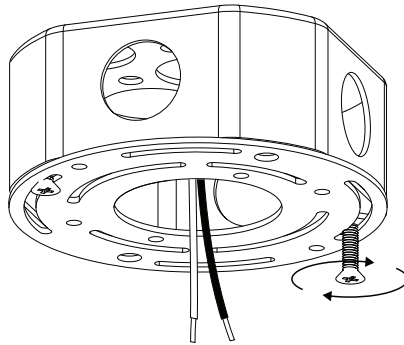
1. The canopy and the hook will come pre-assembled and wired with the fabric-wrapped electrical cord and the brass socket. The length of the cord/socket will be finished – do not adjust the length. Please do not remove the protective packaging from the brass socket during installation and wiring.
2. For lights with longer OAL lengths, the stem will be in multiple parts. Uncoil the electrical wiring at the top of the fixture and carefully pass the wires through each stem as you fasten them together. To connect the stems, first, attach one of the lengths of the stem to the fixture by threading the open female/ internally threaded end of the stem onto the exposed threaded nipple on the top of the fixture. Then, attach the remaining stem lengths by threading the open end of each stem onto the exposed nipple of the other (Figure 1).
3. Install the universal crossbar (provided) to the recessed electrical box with the 8/32 thread screws so that the 8/32 threaded holes spaced 2 3/4” on-center on the crossbar match the desired orientation of the fixture based on the countersunk holes in the canopy (Figure 2).
4. Carefully supporting the fixture, connect the exposed leads of the fixture to the exposed leads in the electrical box, following the wiring diagram and using the provided wire connectors. Attach the ground (TE) wires to ground (TE) wires of the light fixture, phase 1 (L1) to phase 1 (L1) of the light fixture, neutral (N) to neutral (N) of the light fixture (Figure 3). Please note the number and type of wire connectors may vary.
5. The canopy installs directly to the crossbar. The back of the canopy is recessed to fit over the crossbar and sit flush against the ceiling finish surface. Take care that no electrical cables or connections are exposed where the canopy meets the ceiling. Fasten the canopy by screwing the two provided 1” long 8/32 thread machine screws directly into the 8/32 threaded holes spaced 2 3/4” on-center on the crossbar through the countersunk holes provided in the canopy, making sure that the canopy sits flush against the ceiling finish surface (Figure 4). Take great care when installing machine screws so that tools do not slip and scratch the canopy finish, or damage the exposed screw head slots.
6. Remove the protective packaging from the brass socket and install the supplied light bulb (60W Max) into the socket (Figure 5).
7. Unscrew and pull out the safety pin (Figure 6). Insert the socket with the light bulb carefully into the hole at the top of the glass diffuser, and allow it to hang freely inside the glass vessel while hanging the glass vessel on the hook (Figure 7). Screw the safety pin back into its position (Figure 8).



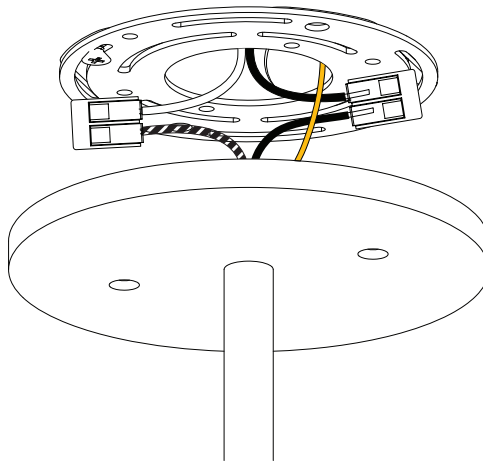
1.



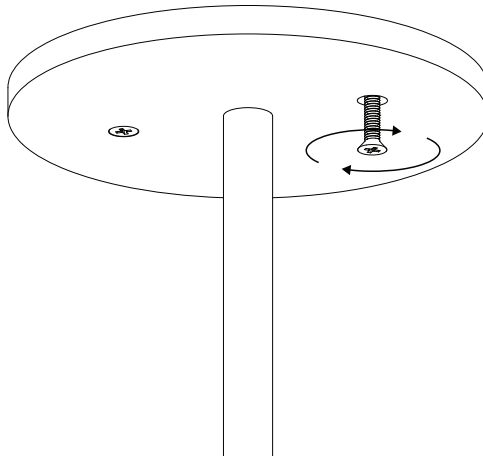
2.



3.

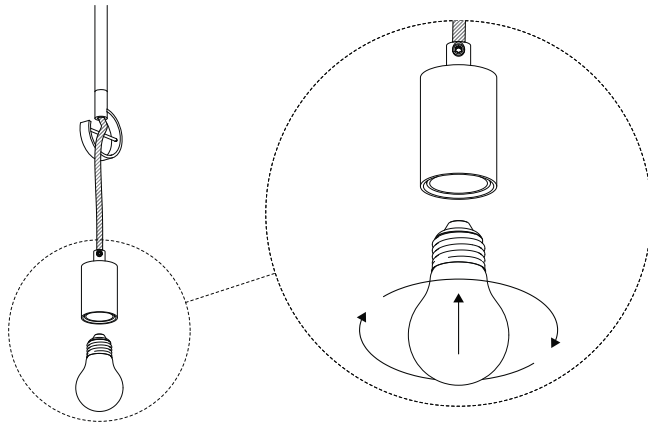


4.

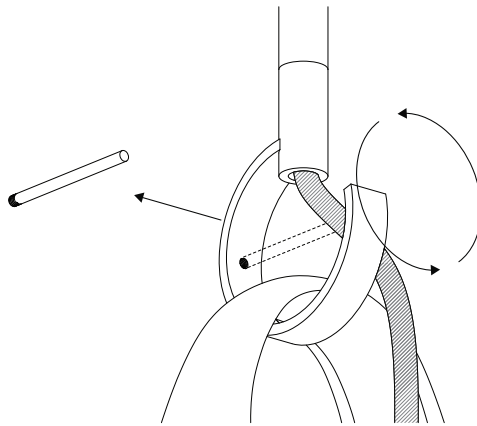




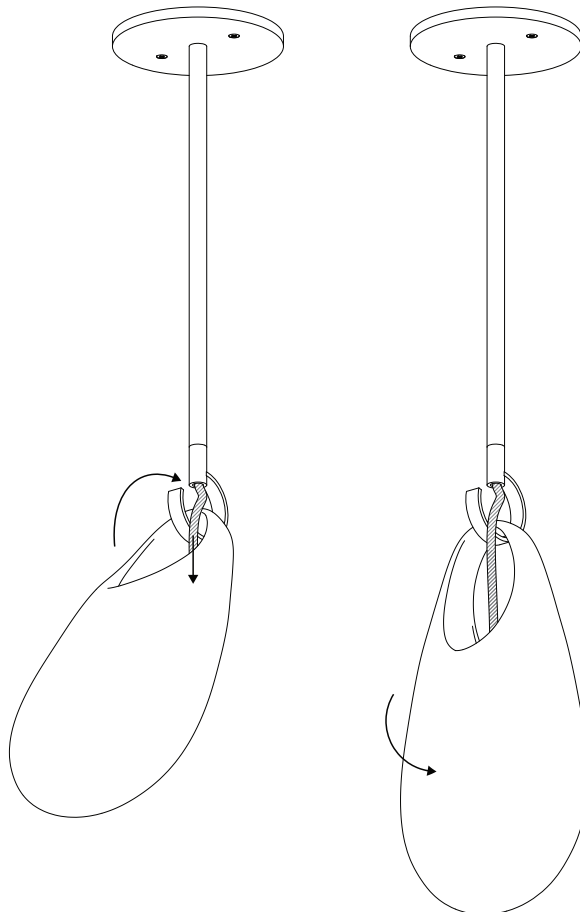
5.



6.

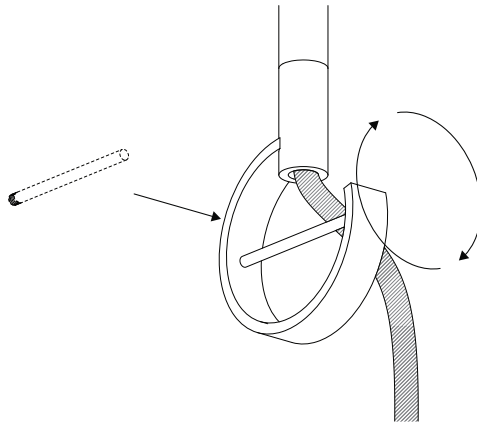


7.





8.



February 2025