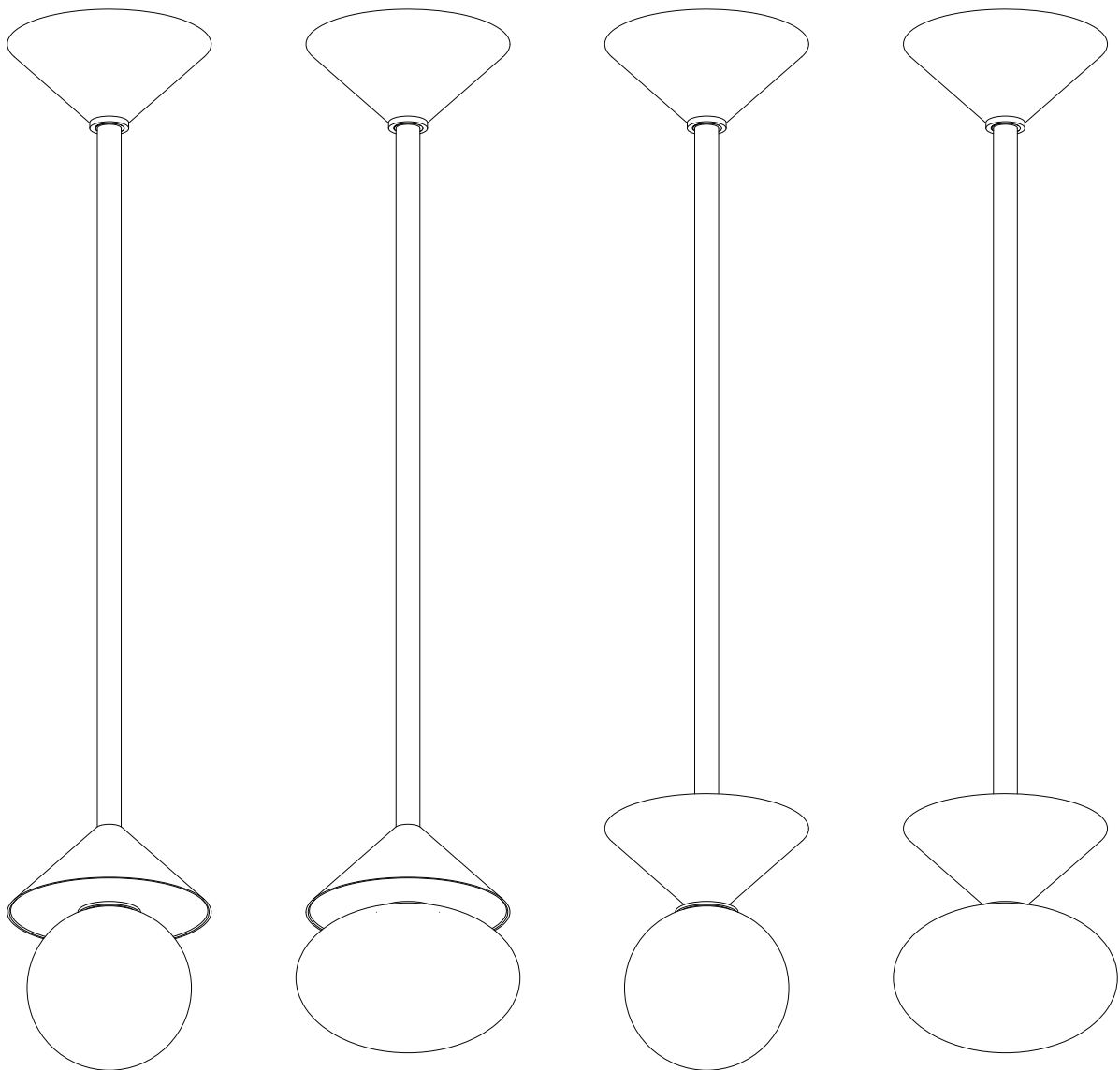




PEAK PENDANT

Installation Instructions



SkLO

sklo.com

SkLO US 115 WEST NORTH STREET HEALDSBURG CALIFORNIA 95448 USA +1.707.385.2101 us@sklo.com
SkLO EU VÁŽNÍ 488 500 03 HRADEC KRÁLOVÉ CZECH REPUBLIC +420.495.542.071 eu@sklo.com

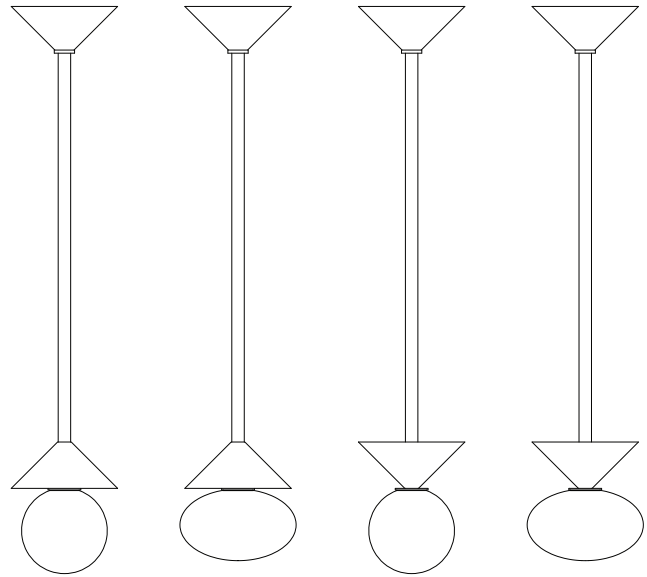


PEAK PENDANT

Congratulations on your purchase of a SkLO Peak Pendant. This product must be installed in accordance with the applicable codes by a person familiar with the construction and operation of the product and the hazards involved, preferably a licensed electrician. Use a maximum 7W bulb.

When unpacking individual items and parts of the light fixture, make sure to lay them out on a protective surface that will neither mar the delicate metal finishes nor scratch the glass. Gloves (nitrile) are provided and must be worn during installation to avoid fingerprints on the finish of the exposed metal parts.

Your SkLO fixture will arrive with the hand-blown glass elements packed separately from the light fixture itself.



CONTENTS:

| | | | | |
|-----------------|------------|------------|-------|----------------|
| Canopy assembly | Cone | Plate | Screw | Wire connector |
| | | | | |
| 1x | 1x | 1x | 1x | 2x |
| Cup assembly | Light bulb | Diffuser * | | |
| | | | | |
| 1x | 1x | 1x | | 3x |
| Stem ** | | | | |
| | | | | |
| | | | | 1x |
| | | | | |
| | | | | 1x |

* Shape of the diffuser differs based on customer's specification.
** Number of stems may vary based on OAD length.



1. Carefully slide a plate/cone in a preferred order onto an exposed externally threaded nipple on top of the cup assembly. The order of the plate/cone (Figure 1).
2. Feed the exposed wires at the top of the cup assembly through the stem with the female internal thread facing down. Attach the stem to the fixture by threading it onto the exposed nipple at the top of the fixture assembly (Figure 2).

For lights with longer OAD lengths, the stem will be in multiple parts. Uncoil the electrical wiring at the top of the fixture and carefully pass the wires through each stem as you fasten them together. To connect the stems, first, attach one of the lengths of the stem to the fixture by threading the open female/ internally threaded end of the stem onto the exposed threaded nipple on the top of the fixture (Figure 2). Then, attach the remaining stem lengths by threading the open end of each stem onto the exposed nipple of the other (Figure 3).

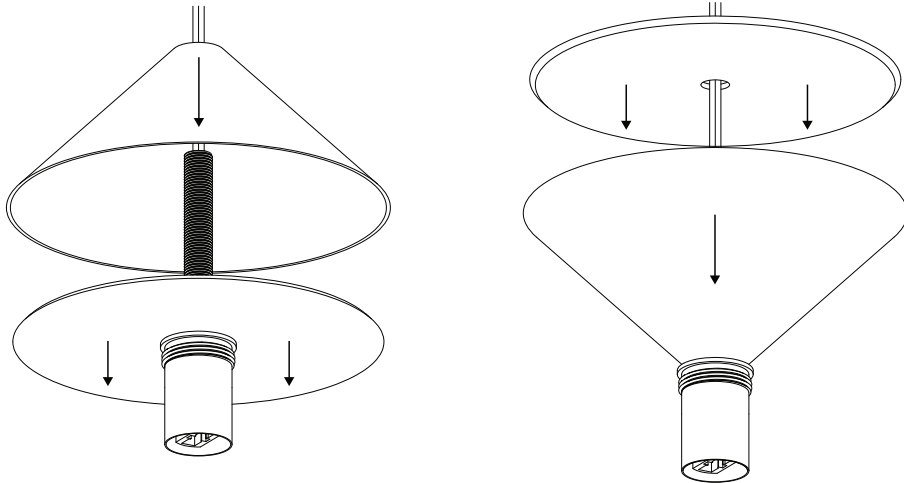
3. Disassemble the canopy assembly by unscrewing the circular nut. Lay out the individual parts of the canopy assembly on a clean surface (Figure 4).
4. Carefully slide a circular nut and the cone over the stem. The cone can be slid all the way down to the fixture assembly. The cone must be pointing towards the fixture (Figure 5).
5. Feed the exposed wires at the top of the stem through the central hole of the stand-off part of the mounting plate assembly. Attach the mounting plate to the stem by threading it onto the exposed nipple at the top of the stem. Thread on until tight (Figure 6).
6. This pendant requires an electrical box with available holes at 3 1/2" on center spacing. If a box with differently spaced threaded holes is present, additional parts may be required to install the fixture properly, such as a universal cross bar (not supplied).

The mounting plate assembly is installed directly to the recessed electrical box. Install the mounting plate by fastening the two supplied 8/32 thread brass machine screws directly into the appropriate holes in the electrical box through the holes and guides provided as part of the mounting plate making sure that the mounting plate sits flat and flush against the ceiling finish surface. Take care that no electrical cables or connections are exposed where the mounting plate meets the ceiling finish surface (Figure 7).

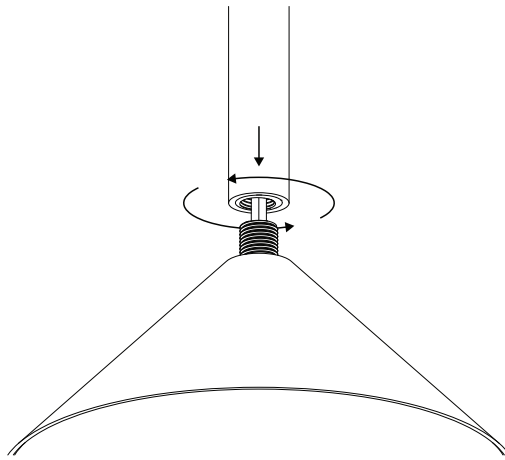
7. Connect the exposed leads of the fixture to the exposed leads in the electrical box, following the wiring diagram and using the provided wire connectors. Attach the ground (TE) wires to ground (TE) wires of the light fixture, phase 1 (L1) to phase 1 (L1) of the light fixture, neutral (N) to neutral (N) of the light fixture (Figure 8). Please note the number and type of wire connectors may vary.
8. Carefully slide the cone part and the ring nut of the canopy assembly all the way up to the ceiling. Take care that no electrical cables or connections are exposed where the canopy meets the ceiling. Fasten the canopy by tightening the ring nut on the exposed thread on the mounting plate stand-off. Tighten until visually tight (Figure 9).
9. Install the supplied LED light bulb (7 W Max) into the sockets. This fixture uses G9 socket and light bulb. The G9 is a bi-pin socket. Light bulb is to be inserted and removed by pushing the bulb straight into the socket, and by pulling it straight out. The bulb, when inserted, should have a tight fit. Do not force the bulb. If there is resistance, check to make sure nothing inside the socket is bent or obstructing the bulb. Always turn off the power to the fixture when changing the bulb(s). Unwrap and lay out the glass diffuser. Carefully thread a glass diffuser onto each socket (Figure 10). Thread on the glass diffusers just until they are visually tight – do not overtighten.



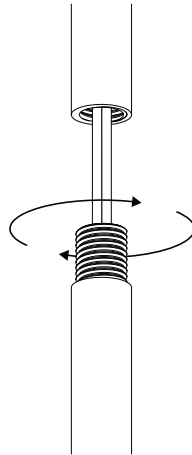
1.



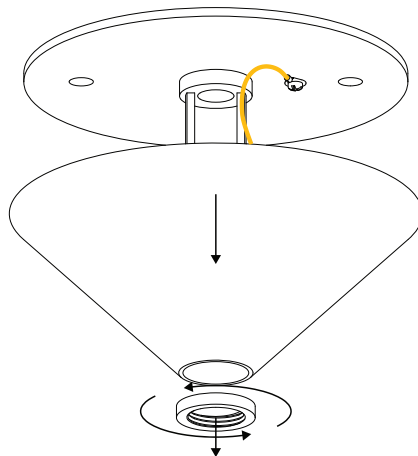
2.



3.

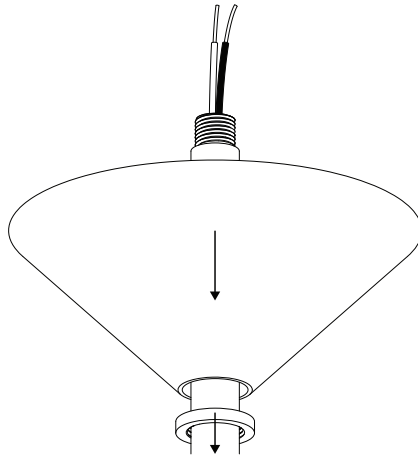


4.

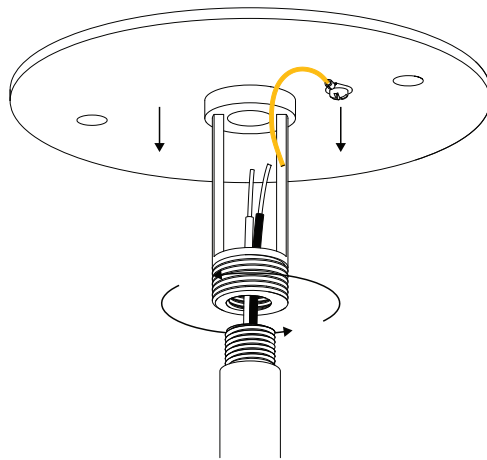




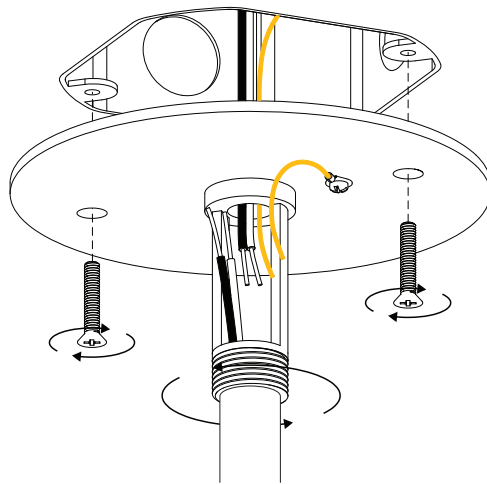
5.



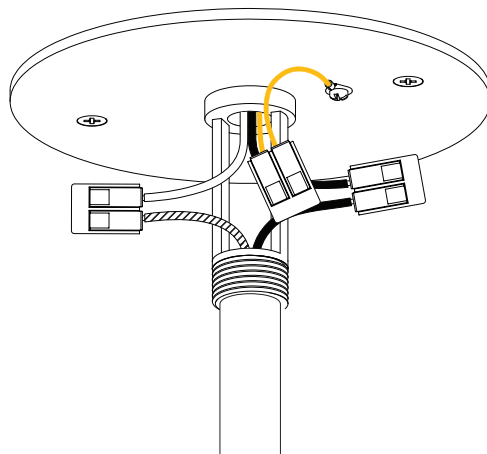
6.



7.

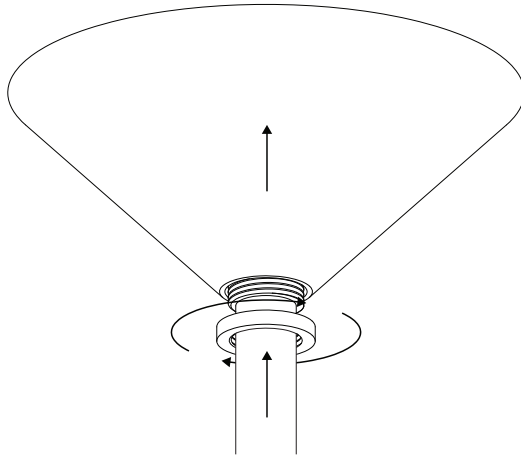


8.





9.



10.

