

# YO

3471 YO  
3473 Coin  
3475 Linea

## YO

3471 YO  
3473 Coin  
3475 Linear

## Product Information & Warnings

### IMPORTANT

- **Always disconnect the power before installing or replacing Luminaires and before cleaning or other maintenance.**
- Consult a qualified, licensed electrician to ensure correct branch circuit conductor

*Consulter un électricien qualifié pour vous assurer que les conducteurs de la dérivation sont adéquats.*

- Please read all included assembly instructions and warnings carefully before installation. Contact Customer Service if you have any questions or concerns. Before installation, please confirm that the fixture is compatible with your supply voltage and dimming system, if present.
- LEDs are highly sensitive electronic devices, and must be treated with care. Do not open any factory sealed compartments, and avoid touching the LEDs with your hands or any object.
- Although all our fixtures are equipped with protective devices, LED electronic systems are vulnerable to power surges and supply variations. Do not install LED fixtures on the same circuit as any motors, appliances, or HVAC systems.
- Do not remove or bypass any LED Driver or Transformer that is provided with the fixture, and do not replace or substitute with another power supply.
- Fixtures must be wired in parallel on independent leads; do not "daisy chain" multiple fixtures together or wire them in series.
- All factory-made splices and connections must remain intact. LED circuits are carefully designed and built, and improper connections may damage the fixture.
- The ends of coaxial pendant cords have been precisely stripped and split at the factory and must not be field cut. Excess cord or cable should be neatly coiled and reserved in the fixture canopy.
- Any mounting hardware is provided for your convenience and should be used with discretion. Always use the appropriate hardware for the mounting surface.

## Table of Contents

<b>Planning your installation</b>	Page 4
<b>Surface Mount Canopies</b>	
Surface Mount Triple w/ power supply	Page 5
Surface Mount w/remote power supply	Page 6
Non-electrical Canopies	Page 6
<b>Recessed Canopies</b>	Page 7
<b>Luminaires</b>	Page 8
<b>Finishing the installation</b>	Page 9

## Planning your installation

- Plan and mark the locations where the canopies will be installed, including the power feed(s).
- Up to two luminaires may be connected in a row from a power feed, with maximum 5ft horizontal distance from canopy to pendant (Fig. 1). It is recommended to have the power supply at a central location (Fig. 1).
- To connect more than two luminaires in a row, split the configuration into separate circuits by using two or more power supplies (Fig. 2).

**NOTE: When using multiple power supplies, there must be a break in electrical connection at the**

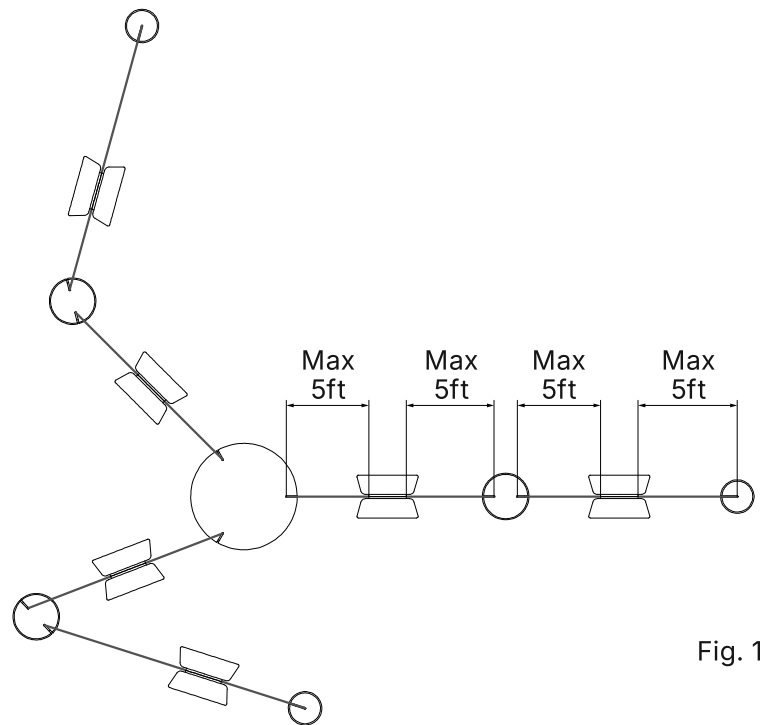
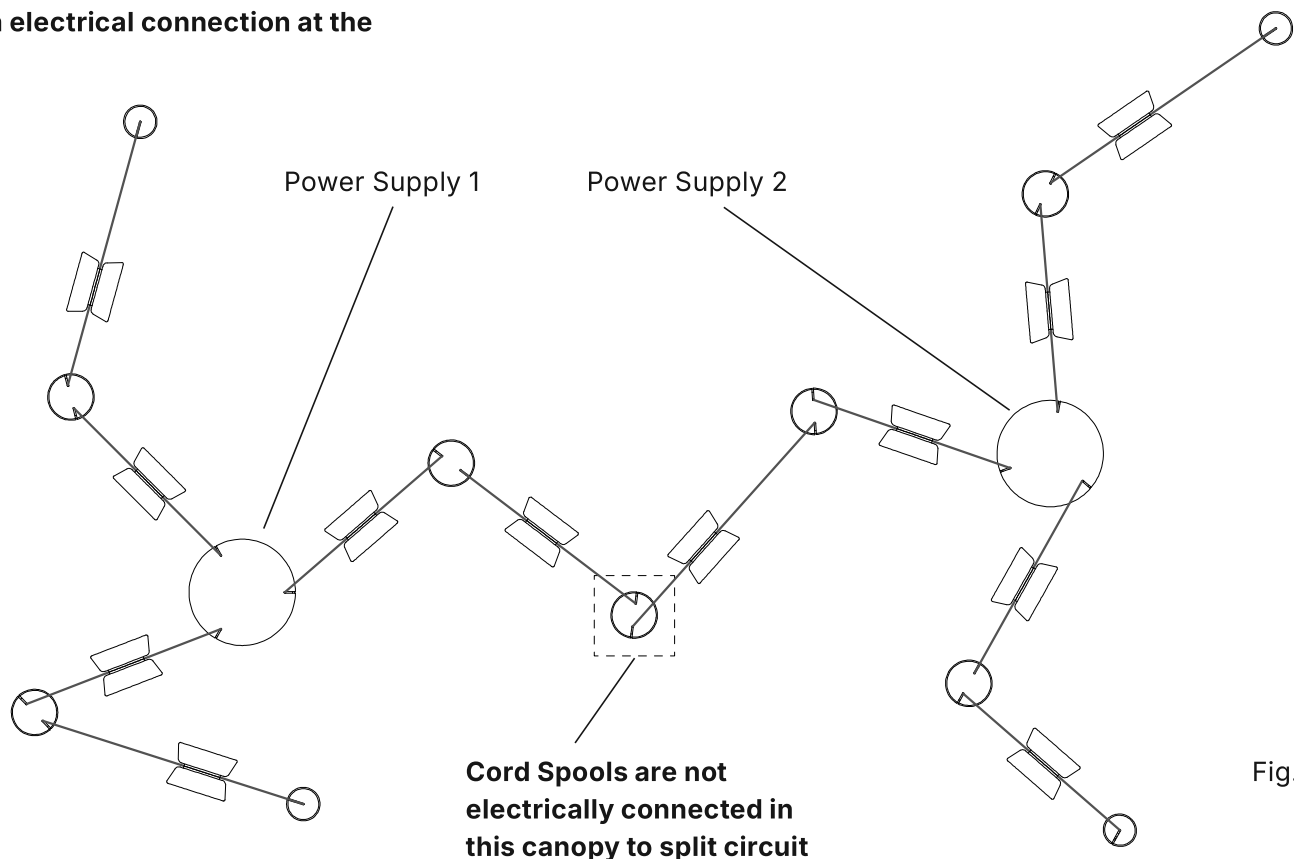


Fig. 1

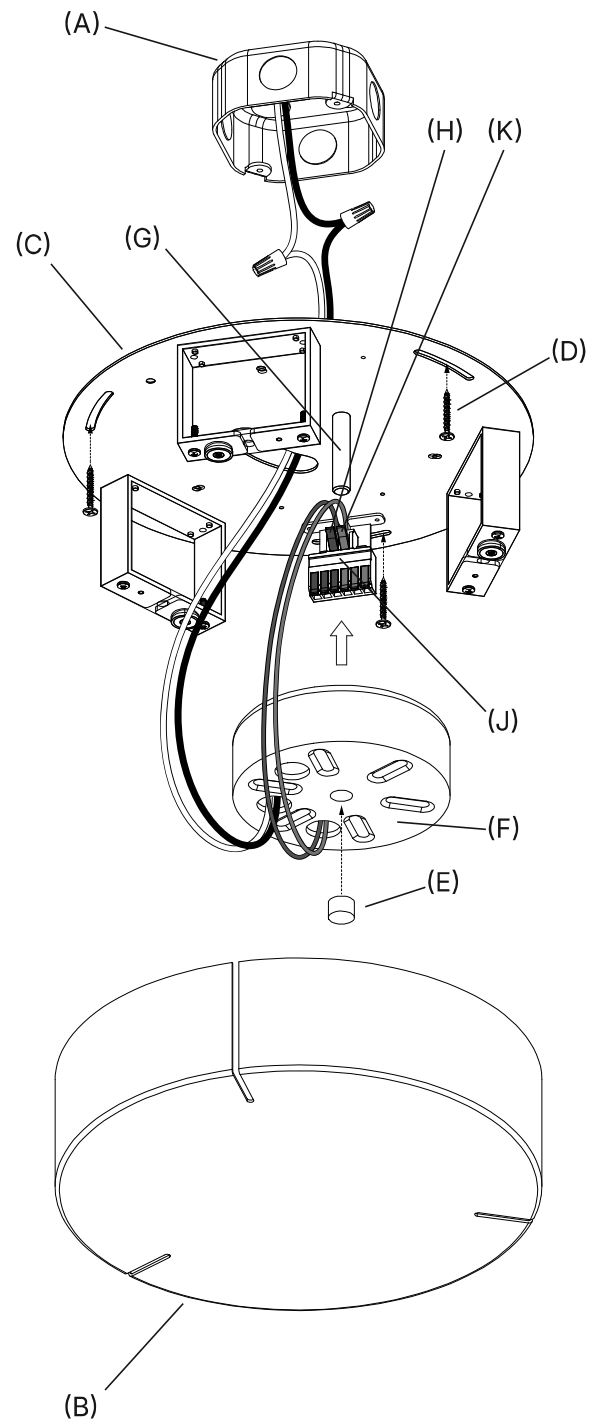


**Cord Spools are not electrically connected in this canopy to split circuit**

Fig. 2

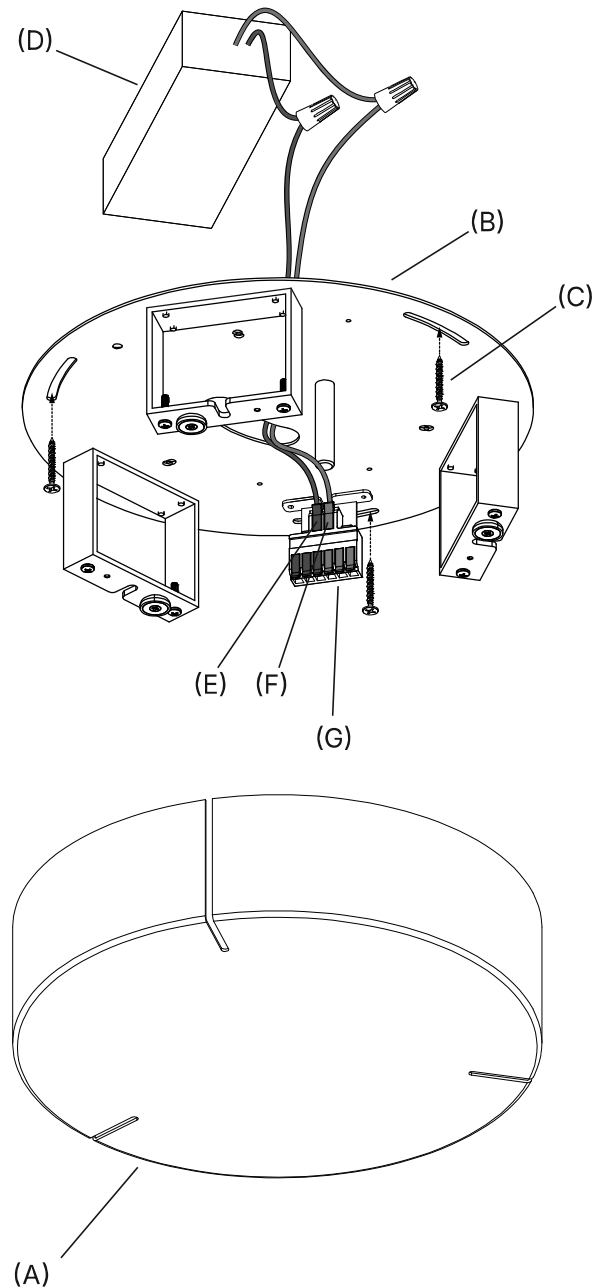
## Canopy installation: Surface Mount Triple w/power supply

1. Shut off power to the **Outlet Box (A)**
2. Remove **Canopy Cover (B)** from the **Mounting Plate (C)** by pulling down to separate magnets, and set aside. Install Mounting Plate to the ceiling using **Mounting Screws (D)** or other appropriate hardware.
3. Unscrew the **Finial (E)**. Install the **Power Supply (F)** on the **Driver Mounting Post (G)** and reattach the Finial.
4. Make appropriate electrical connections to the Power Supply using wire nuts:
  - a) Connect the power supply's live wire to the live supply wire.
  - b) Connect the power supply's neutral wire to the neutral supply wire.
  - c) Connect outlet box ground wire (green or uncoated) to the mounting plate using the green screw.
  - d) Connect the power supply's Positive (+) Output Wire to the **Upper Positive (Red) Port (H)** of the **Lever Nut (J)**.
  - e) Connect the power supply's Negative (-) Output Wire to the **Upper Negative (blue) Port (K)** of the Lever Nut.
5. Proceed to Luminaire Installation on Page 8.



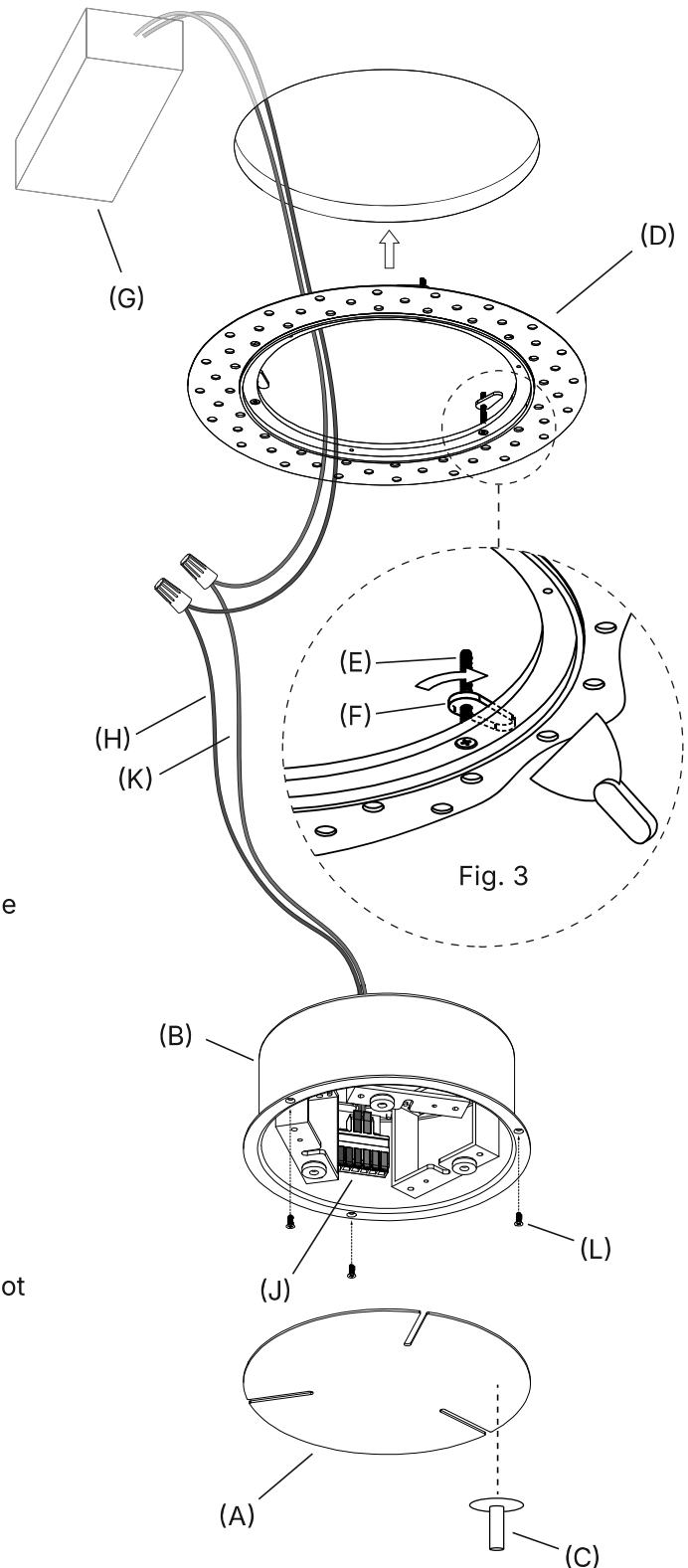
## Canopy installation: Surface Mount w/remote power supply and Non-electrical Canopies

1. Shut off power to the branch circuit.
2. Remove **Canopy Cover (A)** from the **Mounting Plate (B)** by pulling down to separate magnets, and set aside. Install Mounting Plate to the ceiling using **Mounting Screws (C)** or other appropriate hardware.
3. **For remote power supply:**  
The **Power Supply (D)** must be installed in a remote and accessible location near the canopy in accordance with local electrical code. To make appropriate connections:
  - a) Connect the power supply's live wire to the live supply wire.
  - b) Connect the power supply's neutral wire to the neutral supply wire.
  - c) Connect the power supply's **Positive (+) Output Wire** to the **Upper Positive (Red) Port (E)** of the **Lever Nut (G)**. Use necessary length of wire (not included) to bridge this connection.
  - d) Connect the power supply's **Negative (-) Output Wire** to the **Upper Negative (blue) Port (F)** of the Lever Nut. Use necessary length of wire (not included) to bridge this connection.
4. Proceed to Luminaire Installation on Page 8.



## Recessed Canopy Installation

1. Shut off power to the branch circuit.
2. Locate where canopy will be installed and cut an 8" diameter hole.
3. Remove **Canopy Cover (A)** from the **Canopy Body (B)** using the **Suction Tool (C)** and set aside.
4. Remove **Mud-in Ring (D)** from the Canopy Body and install it into the hole using the attached **Long Screws (E)** and **Ring Tabs (F)** (Fig. 1)
5. Once the Mud-in Ring is properly secured, proceed to apply drywall compound and feather it out with the ceiling surface. Sand away excess drywall compound until the lip of the Mud-in Ring is revealed. (Fig. 3)  
**NOTE: Don't let drywall compound remain on the interior of the lip of the Mud-in Ring. Any compound that remains will prevent a proper fitting of the canopy.**
6. The **Power Supply (G)** must be installed in a remote and accessible location near the canopy in accordance with local electrical code. To make appropriate connections:
  - a) Connect the power supply's live wire to the live supply wire.
  - b) Connect the power supply's neutral wire to the neutral supply wire.
  - c) Connect the power supply's Positive (+) Output Wire to the **Positive (+) Pre-installed Lead (H)** of the **Lever Nut (J)**. Use necessary length of wire (not included) to bridge this connection.
  - d) Connect the power supply's Negative (-) Output Wire to the **Negative (-) Pre-installed Lead (K)** of the Lever Nut. Use necessary length of wire (not included) to bridge this connection.
7. Secure the canopy into the installed Mud-in Ring with provided **Short Screws (L)**.
8. Proceed to Luminaire Installation on Page 8.



## Luminaire Installation

Each luminaire has two **Cord Spools (A)** (Fig. 4) for adjusting the cord length and transferring power from pendant to pendant.

1. To install a Cord Spool into a canopy: Loosen the **Mounting Screws (B)** on one of the **Spool Brackets (C)** in the canopy. Place Cord Spool into bracket. Tighten the Mounting Screws into the **Mounting Tabs (D)**.

**NOTE:** For recessed double and triple canopies, install Cord Spools with **Adjustment Screw (E)** pointing inward toward center of canopy (Fig. 5) for easier access to adjust cord tension (see p. 9).

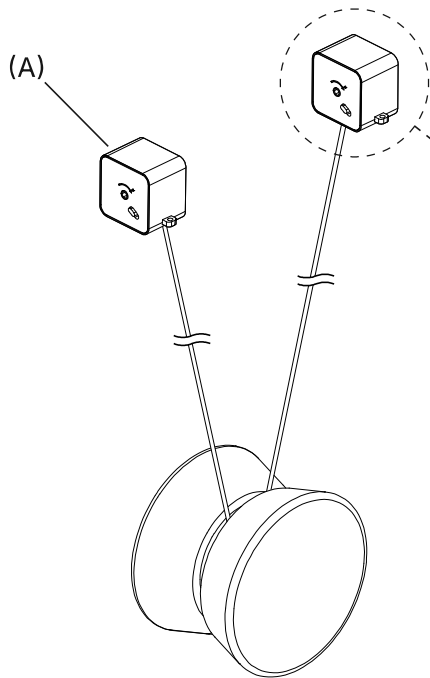


Fig. 4

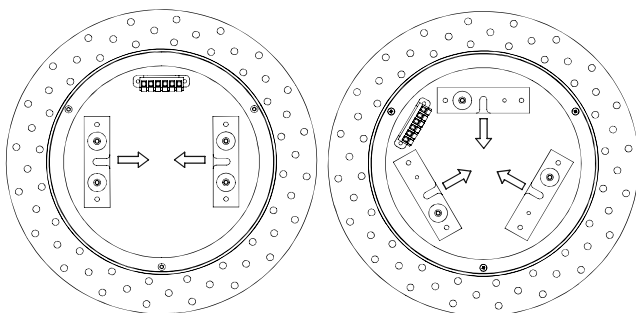


Fig. 5

2. Connect Cord Spool wires to **Lever Nut (F)** by pulling up on the lever for an empty slot, inserting the wire, and pushing the lever back down to lock.
  - a) Connect **Positive Wire (G)** to one of the **Lower Positive (red) Ports (H)** of the lever nut (Fig. 6).
  - b) Connect **Negative Wire (J)** to one of the **Lower Negative (blue) Ports (K)** of the lever nut.

**NOTE:** If an electrical connection isn't needed, cap the Cord Spool wires with wire nuts.

3. Restore power to the branch circuit.

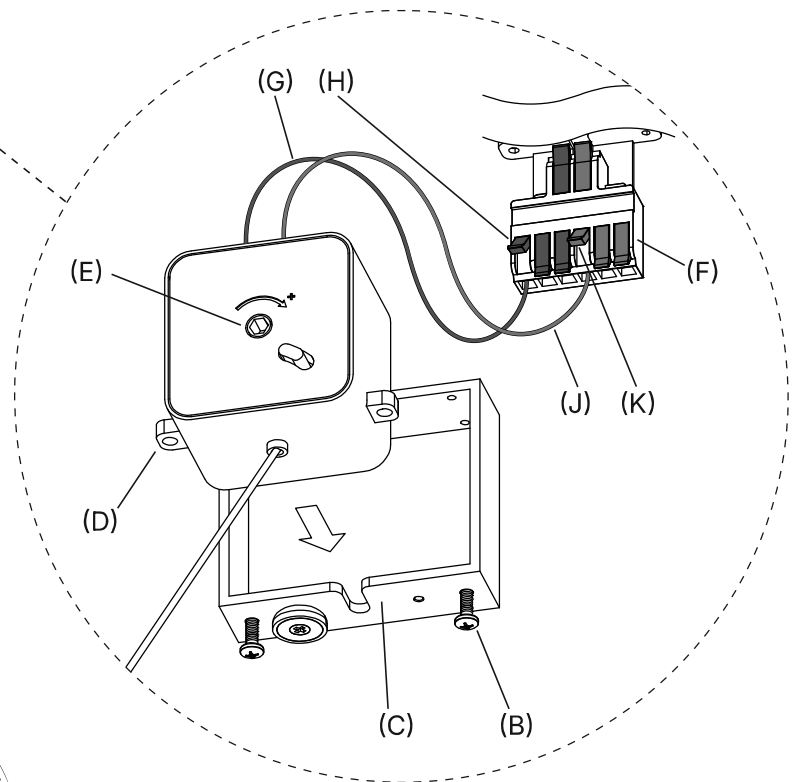
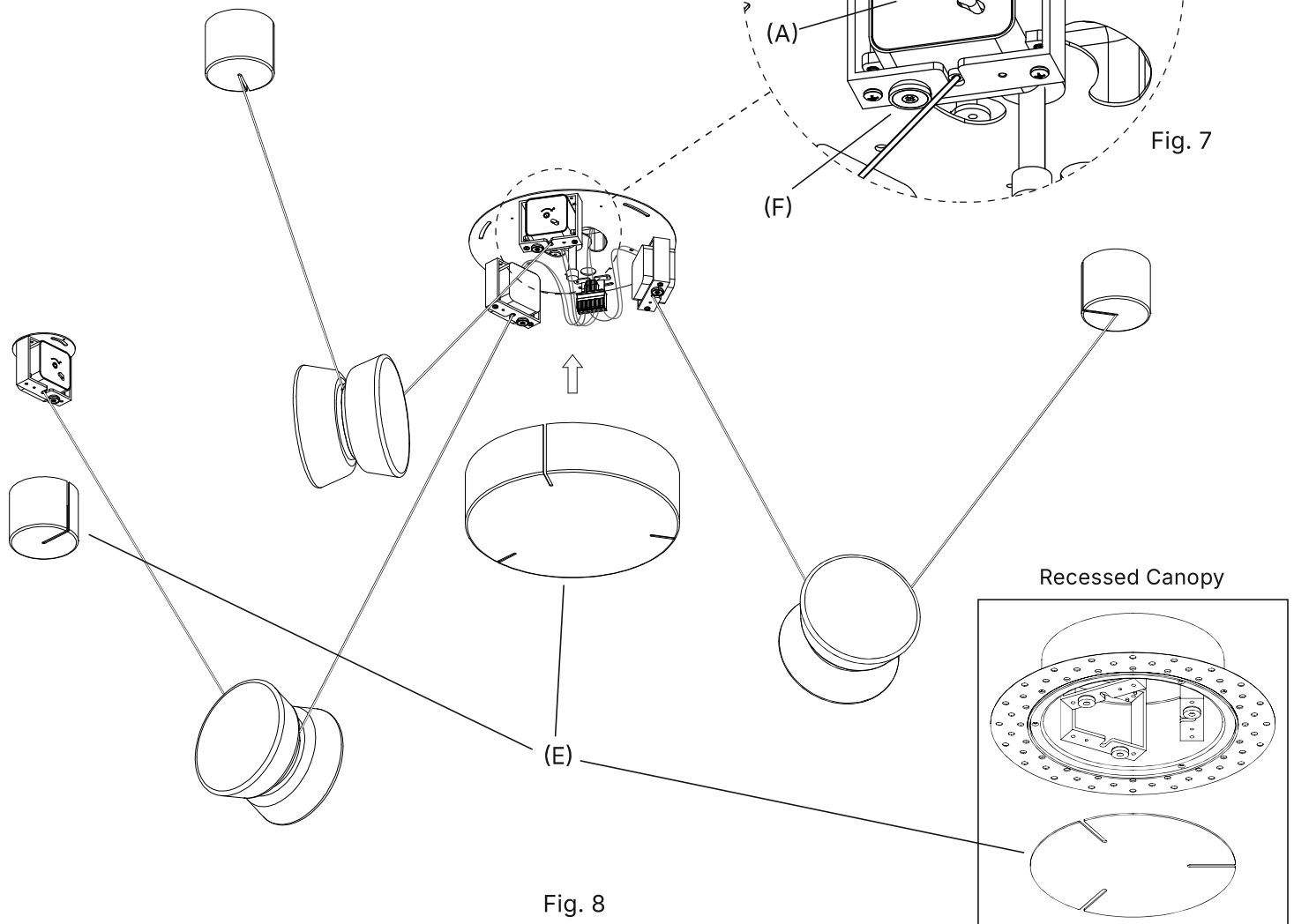
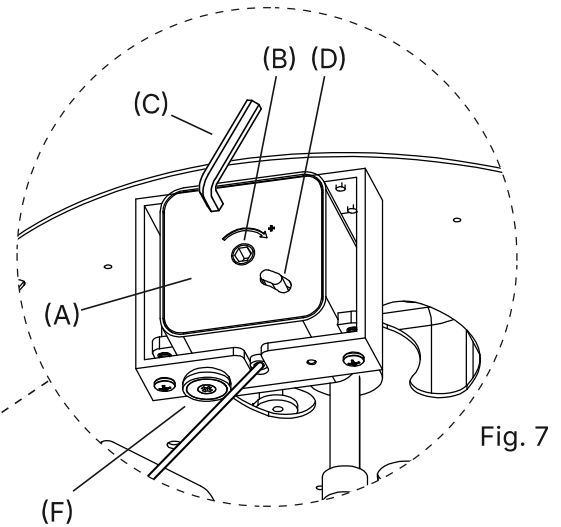


Fig. 6

## Finishing the installation

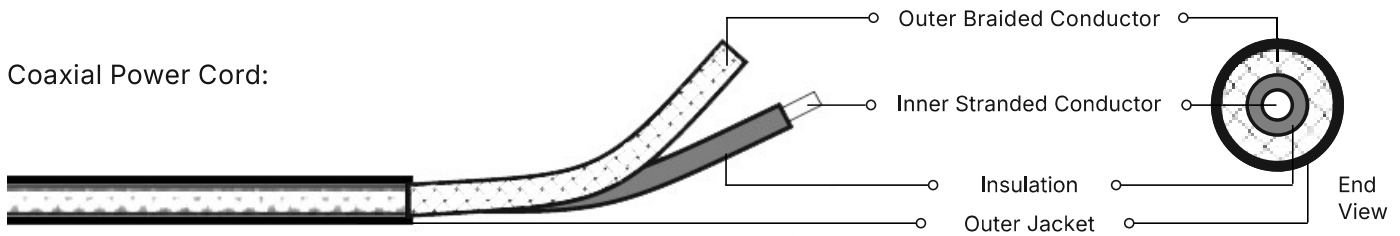
- YO Luminaire hanging heights are freely adjustable: push or pull on a cord to raise or lower a luminaire. The max cord length that can be extended from the spool is 6ft. **CAUTION: Do not adjust the height by pulling the luminaire body. Do not overextend spool.**
- The tension of the **Cord Spool (A)** is set in the factory. If cord extends too easily, the tension can be increased by turning the **Adjustment Screw (B)** clockwise with included **Allen Key (C)** (Fig. 7). **CAUTION: Do not over-tighten Adjustment Screw.** If the cord retracts too firmly, decrease the tension by pulling back on the **Tension Lever (D)**.
- Once all luminaires are adjusted to desired heights, re-attach the **Canopy Covers (E)** (Fig. 8): Align slots with cords and raise cover till it is attracted by **Canopy Magnets (F)**.



## Coax Splicing

**FAILURE TO FOLLOW THESE INSTRUCTIONS WILL VOID THE WARRANTY**

Coaxial Power Cord:



If field-cutting is required, please follow these instructions:

1. Make a 1" slice along the length of the cord's outer jacket (Fig. 1). **CAUTION: Do not cut through the outer braided conductor.**
2. Carefully strip the outer jacket of the cord and keep the outer braided conductors intact (Fig. 1).
3. Slide the outer braided conductor back to create a bulge and reveal the inner stranded conductor (Fig. 2).
4. Bend the cord to create an opening through the bunched-up portion of outer braided conductor, then pull out the inner stranded conductor (Fig. 3)
5. Twist together the outer braided conductor to form the negative wire of the fixture, then strip 5/8" off the end of the inner stranded conductor to form the positive wire of the fixture (Fig. 4).
6. Re-splice all power cords.

