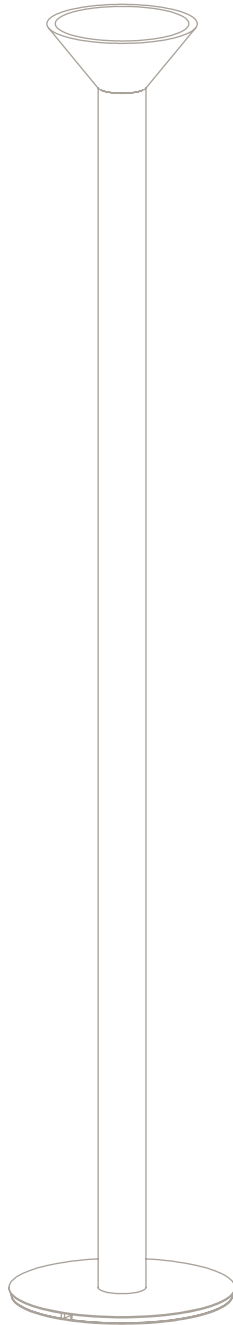


TORRES AMBIENT FLOOR

Installation Guide



Please handle with care and wear gloves at all times during assembly and installation to avoid damaging components.

TECHNICAL

Bulb Holder
240v - 1 x E14
120v - 1 x E12
(bulbs not supplied)

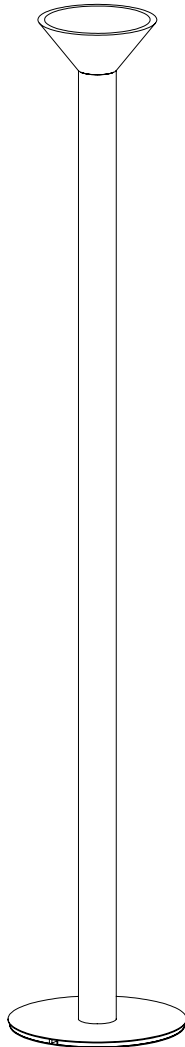
Wattage
6w min - 2700k

Weight
12kg (26.5lbs)

PARTS & COMPONENTS

A. 1 x Torres

A.

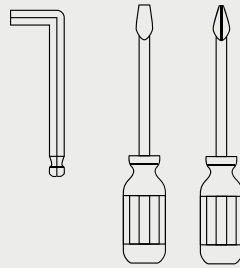


- All nuts and bolts required for the installation will be included in the delivery.

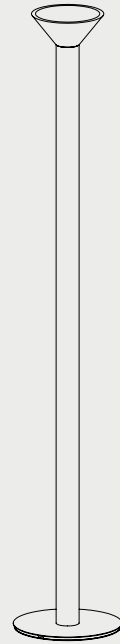


BEFORE INSTALLATION

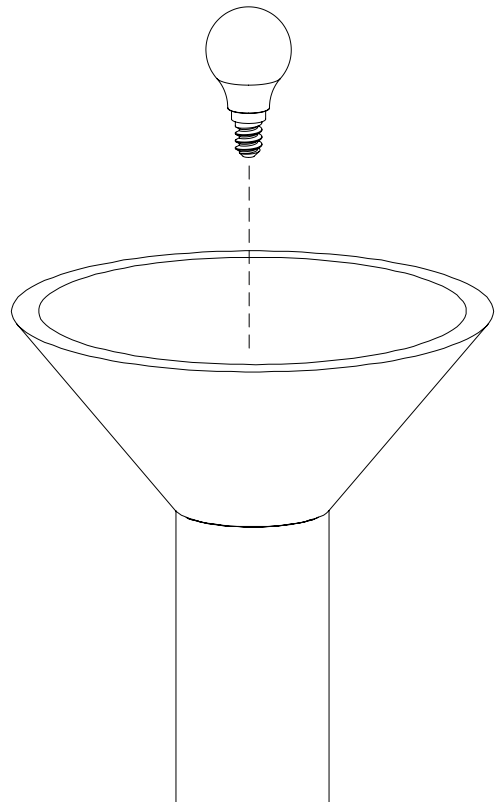
- Check that you have all components before starting assembly.
- Assembly must be carried out by a qualified electrician.
- You will need the below specific tools for a successful assemble.



1. Remove the product from the packaging and stand on a firm surface.



2. Fit the Torres Floor with a minimum 6w bulb.
 - 220-240V - E14
 - 110-130V - E12



MAINTENANCE

Cleaning

Dust using a dry lint-free cloth weekly or as required

Repairs

Contact
CTO Lighting

Warranty

Please visit
[www.ctolighting.co.uk/
pages/f-a-q](http://www.ctolighting.co.uk/pages/f-a-q)
for CTO warranty policy

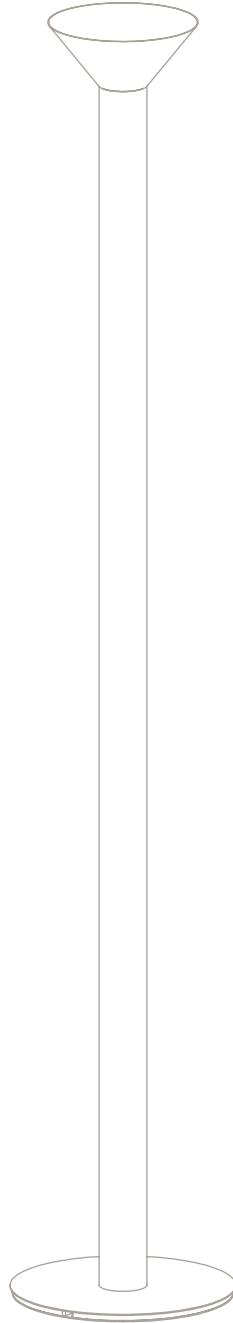
Certification



E492309

TORRES UPLIGHTER

Installation Guide



Please handle with care and wear gloves at all times during assembly and installation to avoid damaging components.

TECHNICAL

Bulb Holder
240v - 1 x GU10
120v - 1 x GU10
(bulbs not supplied)

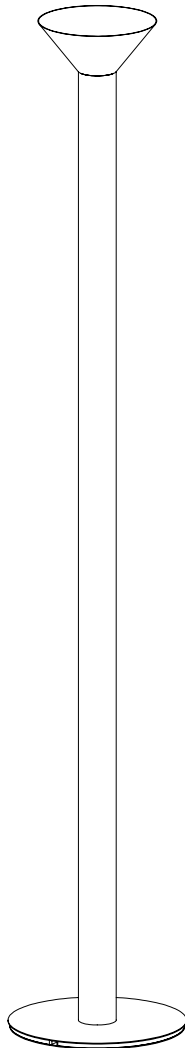
Wattage
6w min - 2700k

Weight
12kg (26.5lbs)

PARTS & COMPONENTS

A. 1 x Torres

A.

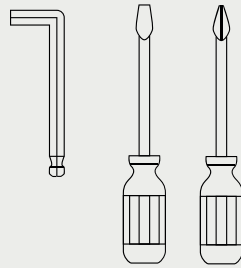


- All nuts and bolts required for the installation will be included in the delivery.



BEFORE INSTALLATION

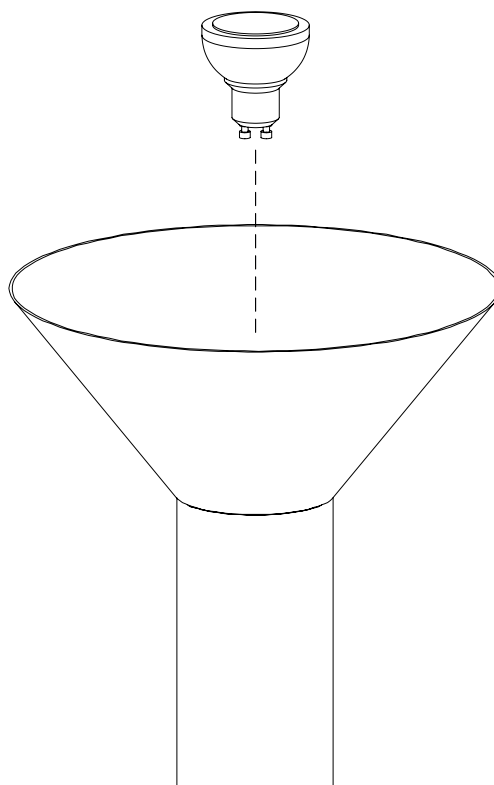
- Check that you have all components before starting assembly.
- Assembly must be carried out by a qualified electrician.
- You will need the below specific tools for a successful assemble.



1. Remove the product from the packaging and stand on a firm surface.



2. Fit the Torres Floor with a minimum 6w GU10 bulb.



MAINTENANCE

Cleaning

Dust using a dry lint-free cloth weekly or as required

Repairs

Contact
CTO Lighting

Warranty

Please visit
[www.ctolighting.co.uk/
pages/f-a-q](http://www.ctolighting.co.uk/pages/f-a-q)
for CTO warranty policy

Certification



E492309