

SETUP

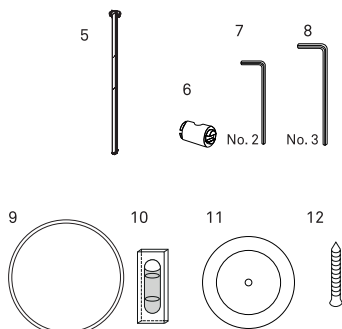
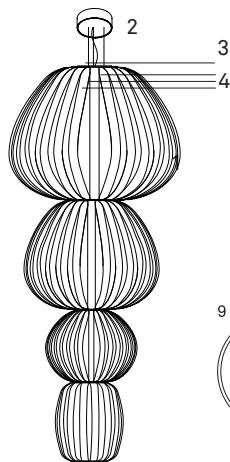


lzf

TOTEM

TOT4 UL

CONTENTS



1 Shades	3 un.
2 Canopy	1 un.
3 Electrical cable	1 un.
4 Steel cables	3 un.
5 Electrical kit	1 un.
6 Stoppers	3 un.
7 Allen key N°2	1 un.
8 Allen key N°3	1 un.
9 Separating ring	2 un.
10 Level	1 un.
11 Disc	1 un.
12 Screw	1 un.

TECHNICAL SPECIFICATIONS

Integrated LED

120 - 277V



Linear Module

20 x 5,5W - 350mA

120-277V: Dimmable 0-10V & TRIAC

50Hz 90W

WEIGHT

Net 30,4 Lb

Gross 84,4 Lb

WARNINGS

Before assembly and installing this product, carefully read the following:

Turn off the mains before installing the lamp. Dry location only. This lamp is for indoor use only.

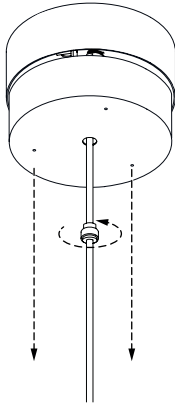
WOOD VENEER: Since wood is a natural material, a gradual change in tone may occur over time. Furthermore, if the lamps have been purchased at different times, there will be differences in colour and tone, particularly in light coloured veneers. Luziferlamps S.L. will not be held responsible for this.

MORE INFO: <http://www.lzf-lamps.com/guarantee/>



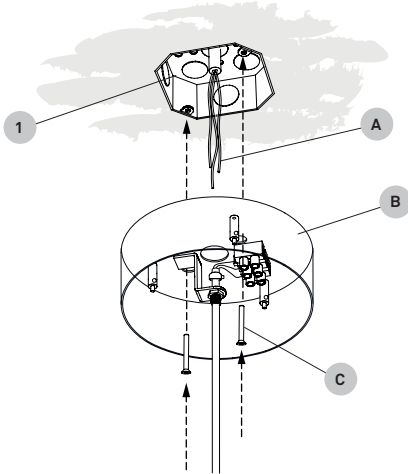
ASSEMBLY INSTRUCTIONS

1



The canopy is composed of an outer cover where the electrical part is housed and a counterflow, which serves to close, unscrew the nut to separate them.

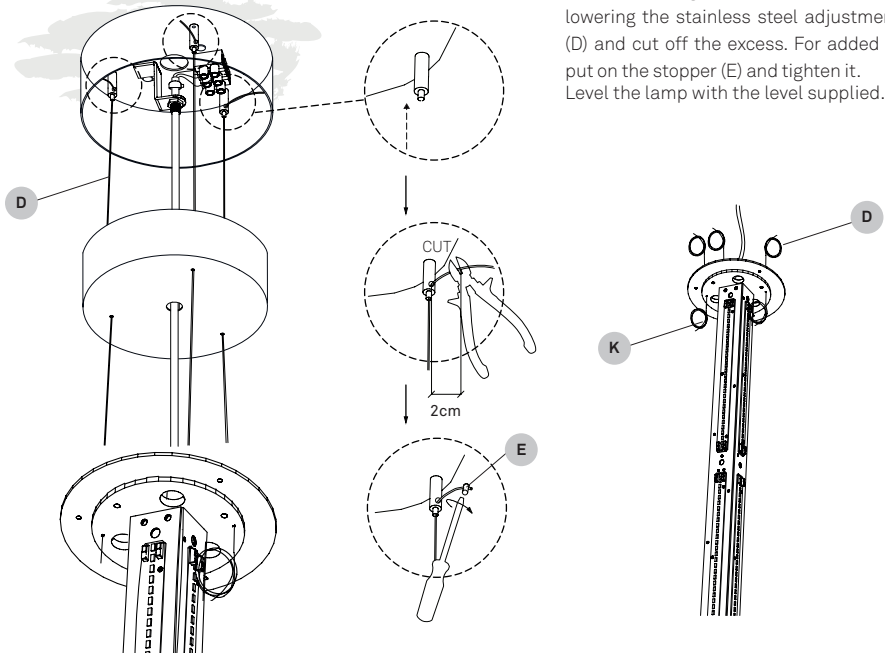
2



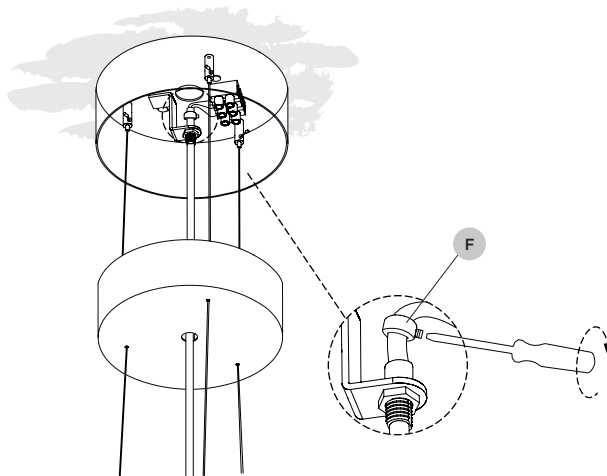
The canopy is made up of a back plate with the electrical connections on it and a front cover. Feed the electrical wires (A) from the mains through the electrical back plate (B), fix back plate to the junction box (1) with the most adequate screws (C) (not supplied) and prepare to wire up.

ASSEMBLY INSTRUCTIONS

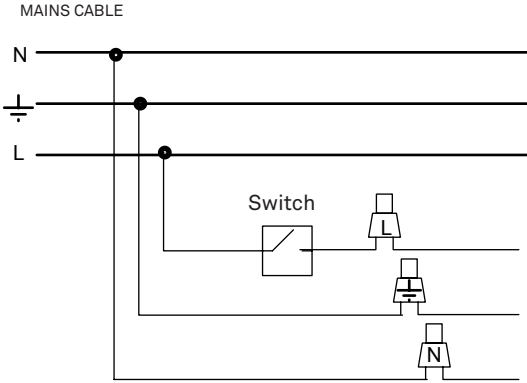
3



4



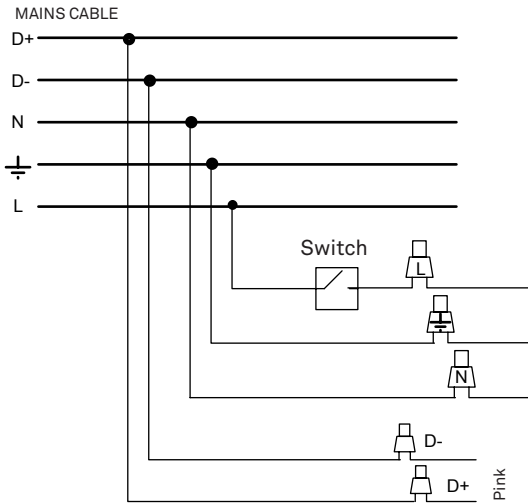
5 DIFFERENT ELECTRICAL CONNECTION OPTIONS



OPTION 1: NON DIMMABLE / TRIAC

You should have a three wire cable coming from the mains. Connect poles **N** and **GND** (\perp) as shown in the terminal block Orange. Connect the line (**L**) that goes through the switch installation to the pole **F** (terminal block Orange).

Poles **D-** and **D+** are not used.

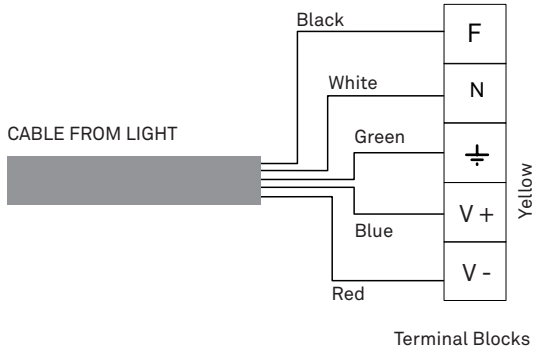


OPTION 2: DIM 0-10

You should have a five wire cable coming from the mains.

Connect poles **N** and **GND** (\perp) as shown in the terminal block Orange. Connect the line (**L**) that goes through the switch installation to the pole **F** (terminal block Orange).

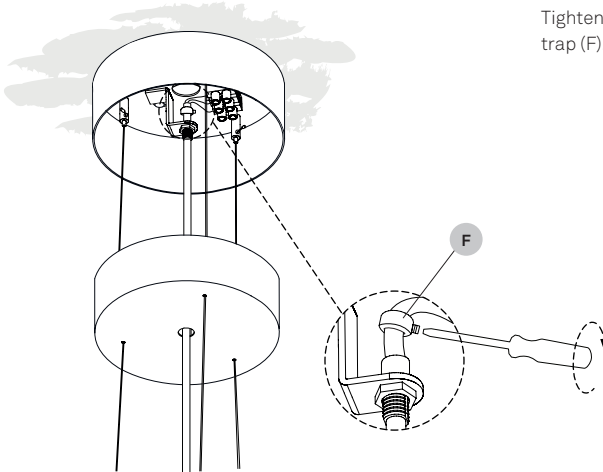
After connecting the mains wires to the terminal block take the other two wires (the +/- dimming controls) and connect them to the dimming terminal block (terminal block Pink).



LAMP CONNECTION

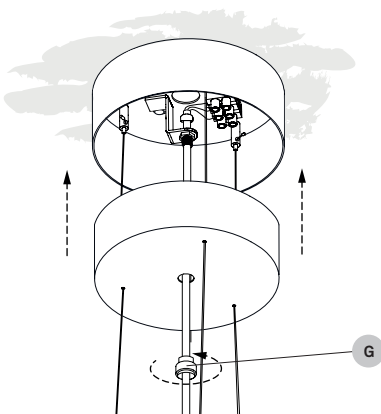
This is the wiring diagram of how to connect the cables to the yellow terminal blocks.

6



Tighten the screw on the electrical cable trap (F).

7



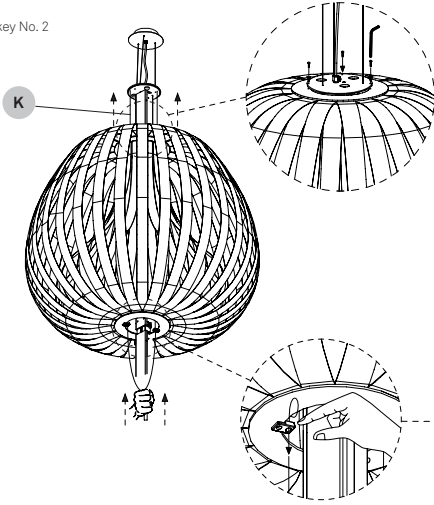
Once all your wiring is complete raise the canopy and screw on the canopy support nut (G) that holds the cover in place.

ASSEMBLY INSTRUCTIONS

8

Use allen key No. 2

Shade 1
POPY SG



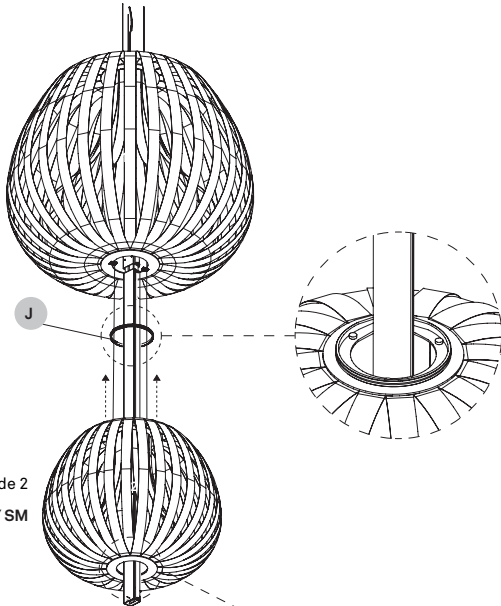
Undo steel cables for shades (K).

Shade mounting.

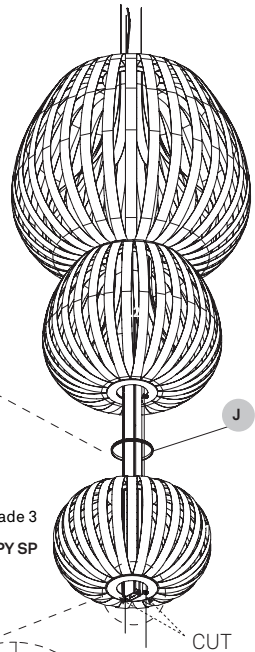
Take the shade support cables and pass them through the one way cable traps located at the bottom of the Totem shades 1, 2 and 3.

Insert the neck separating ring (J) after the installed shade and then place the next shade.

Shade 2
POPY SM



Shade 3
POPY SP

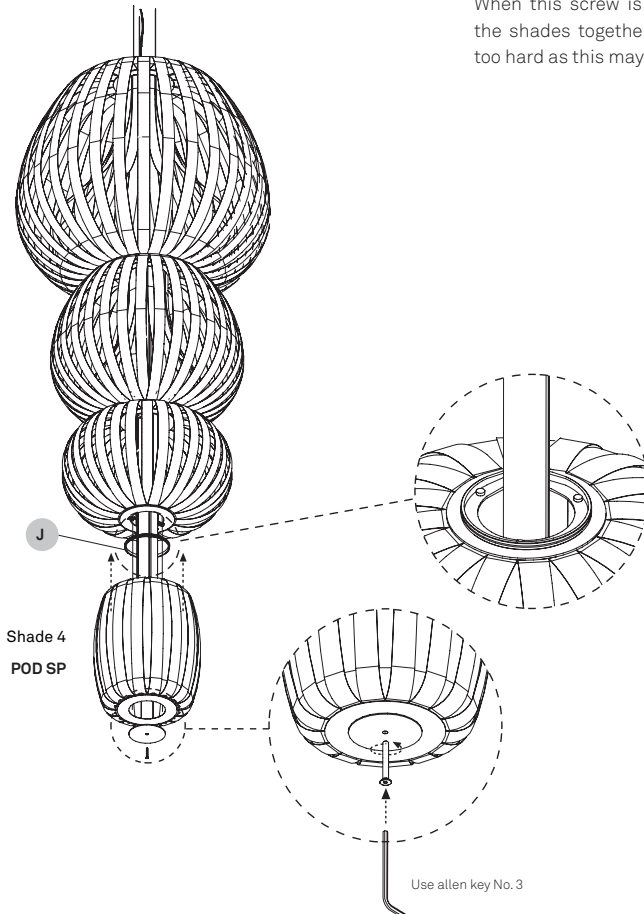


9

Insert the neck separating ring (J) after the shade 3 and then, place the shade 4.

Screw on base support screw until the shades join together adequately.

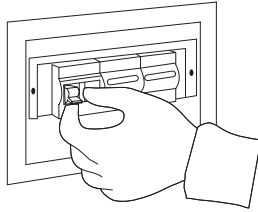
When this screw is tightened it compresses the shades together, be careful not to press too hard as this may collapse the shades.



10

Turn on the mains again.

ON
↑
OFF





USEFUL INFORMATION

Precautions

Luminaire for indoor use only.

Avoid direct sunlight, strong indirect sunlight and moisture on your lamp. Unplug the lamp before cleaning or changing the light bulb. Servicing or manipulation of the electrical installation should only be performed by qualified electrical personnel or by the LZF service department.

Wood veneer

Since wood is a natural material, a gradual change in tone may occur over time. Furthermore, if the lamps have been purchased at different times, there will be differences in colour and tone, particularly in light coloured veneers. Luziferlamps S.L. will not be held responsible for this.

Use and care of your lamp.

You have just purchased an original handmade product by LZF. Your lamp is made out FSC® certified natural wood veneer treated with our patented finish, Timberlite®.

This treatment both protects and safeguards the wood veneer against breakages.

For **cleaning shades** we recommended a feather duster or a damp cloth, clean only the flat surface of the veneer with the cloth, and please avoid any moisture contact along the edge of the veneer.

For **cleaning the metallic surfaces** should be treated with care and cleaned with a soft damp cloth only. Make sure that moisture does not penetrate joins or junctions between metal parts. Do not use solvents of any kind.

For **cleaning the acrylic diffusers** on your lamp can be cleaned with a regular window cleaning spray and a soft cloth. Do not use solvents of any kind.

If your lamps contains Integrated LED:

All LEDs are included in your lamp. Never touch the LED surface with your bare hands as this may reduce the life of your LED.

If your lamp needs Bulbs:

The bulbs are not included, unless indicated. We recommend using energy-saving light LED bulbs. Please refer to the instruction manual or visit our website www.lzf-lamps.com to make sure you are using the best bulb for your type of lamp.

Depending on the color of the wood veneer recommend using different light source, for optimum appearance:

Blue 28, Turquoise 30 and Grey 29: 4000k

Ivory White 20, Natural Beech 22, and Natural Cherry 21: 3000 or 4000k.

Yellow 24, Orange 25, Red 26, Chocolate 31 & Pale Rose 33: 3000k.

MORE INFO: <http://www.lzf-lamps.com/guarantee/>