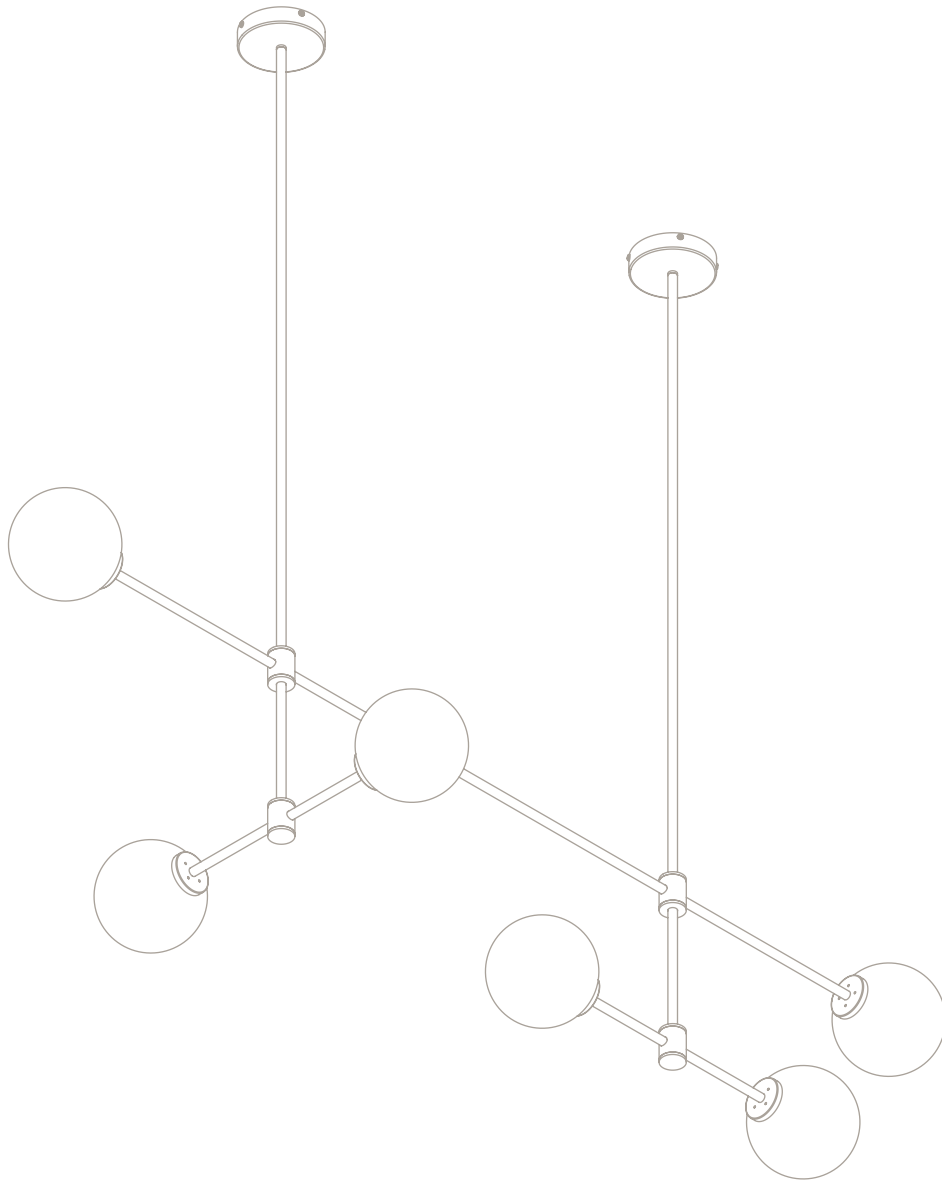


## TREVI MULTI 6 PENDANT

Installation Guide



!

Please handle with care and wear gloves at all times during Assembly and installation to avoid damaging components.

## TECHNICAL

**Bulb Holder**  
 240v - 6 x E14  
 120v - 6 x E12  
 (bulbs not supplied)

**Wattage**  
 25w max (or 4.5w LED 2700k)

**Weight**  
 6kg (13.2lbs)

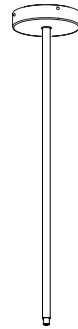
## PARTS & COMPONENTS

- A. 2 x Mounting plate, 8 x M4x12 screws
- B. 2 x Ceiling rose and drop rod
- C. 6 x 150mm glass shade
- D. 1 x Multi Trevi body

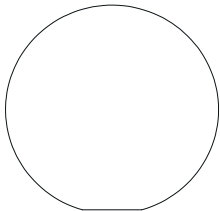
A.



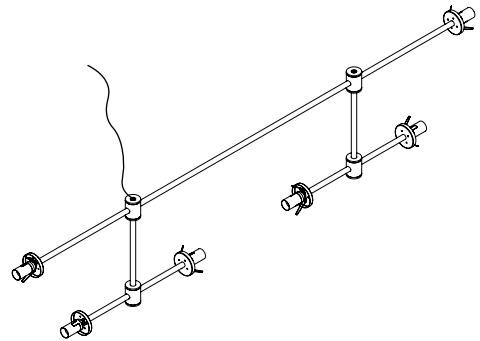
B.



C.



D.

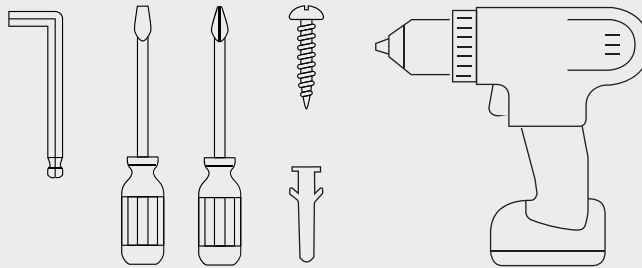


- All nuts and bolts required for assembling the light are included.



## BEFORE INSTALLATION

- Check that you have all components before starting the installation.
  - Installation must be carried out by a qualified electrician.
  - A minimum of two people is required to install a pendant light.
- Check that the ceiling or wall fixings are suitable and strong enough to support the weight of the light fixture.
  - You will need the below specific tools for a successful installation.

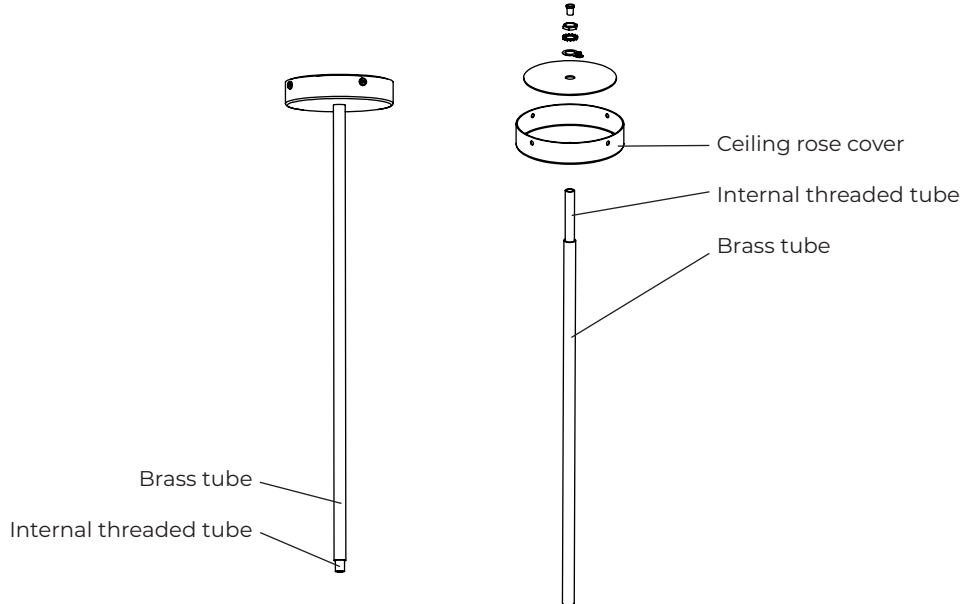


The light source contained in this luminaire shall only be replaced by the manufacturer or his service agent or a similar qualified person.

## HEIGHT ADJUSTMENT INSTRUCTIONS

Before attaching the drop rod to the body of the light, calculate the required total drop from ceiling to bottom of pendant. If any height adjustment is required, follow the steps below:

1. Separate the brass tube and the internal threaded tube from the ceiling rose cover by unscrewing the bolt.

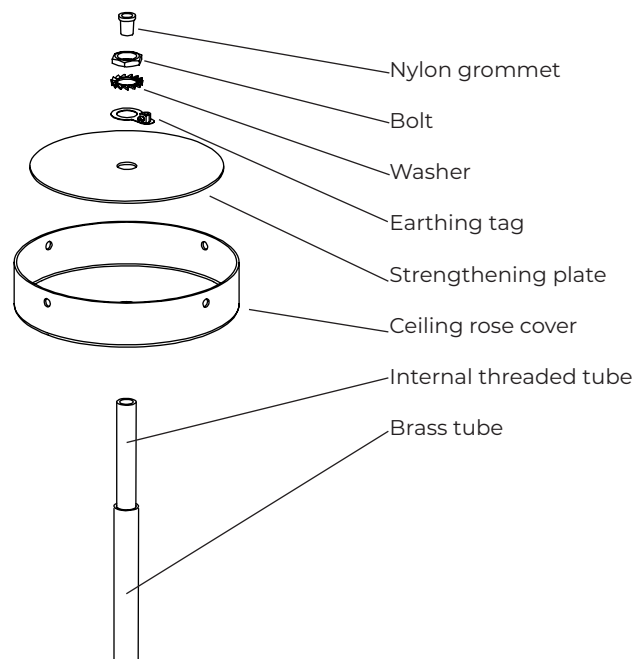


2. Measure the length the drop rod needs to be.
3. Cut the brass tube to this length using a hacksaw or similar tool.
4. Cut the same length from the internal threaded tube.

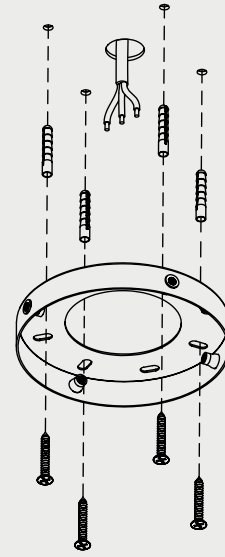
NOTE: Internal threaded tube must always be longer than the brass tube.

5. Once the brass tube and internal threaded tube are cut to correct lengths, slide the brass tube over the internal threaded tube and attach them back to the ceiling rose cover by using components provided.

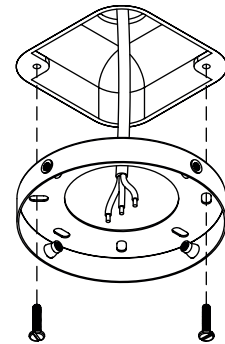
6. Once satisfied with the fit, secure bolts and all-thread with Loc-tite or similar adhesive.



1. Fix the mounting plate to the ceiling. Ensure that suitable screws are being used for the surface that you are mounting to (not supplied).

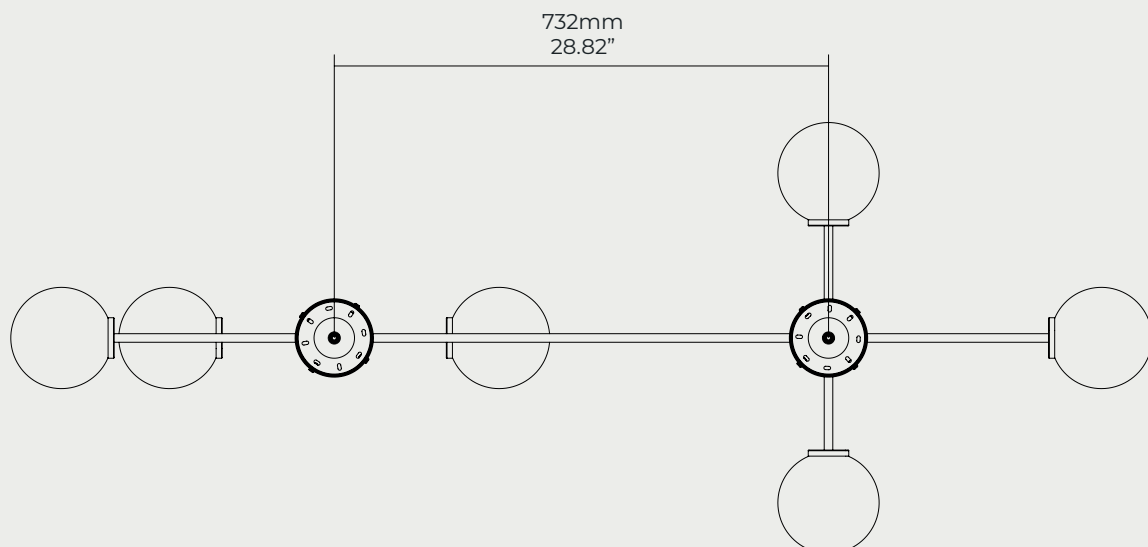


1. 120v  
US Fix the mounting plate to the junction box using suitable screws (not supplied).



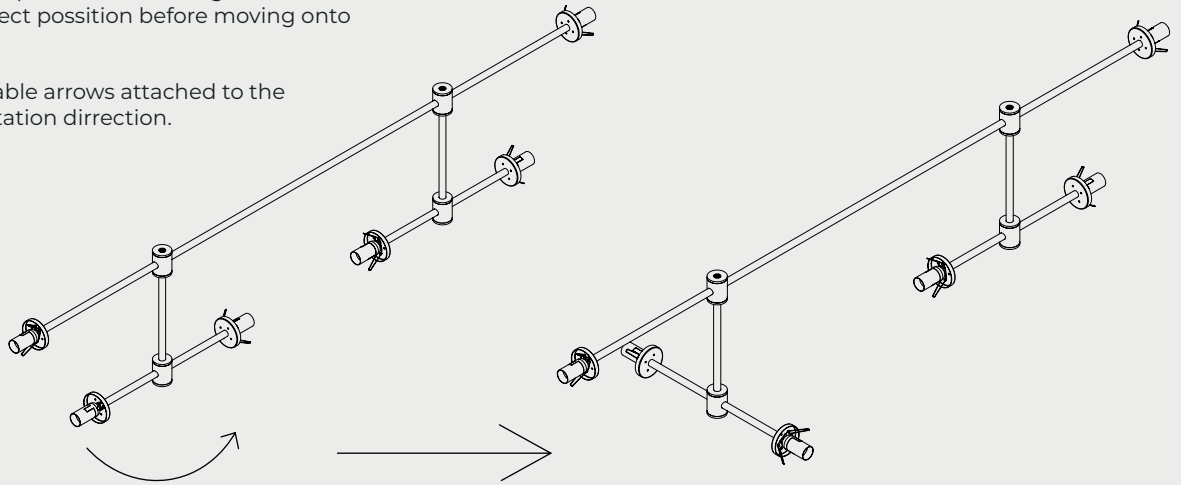
2. Mark the distances between the 2 drop rods. See distance below. Before repeating the step above for the second non powered drop rod.

**Please note this dimension is critical for the light to be installed correctly.**



1. The fitting will come in a flat orientation, with one of the 2 bottom lamp holder assemblies loose. It requires being turned 90 degrees to the right (clockwise) to tighten in the correct position. The fitting should be all tight and in the correct position before moving onto the next stage.

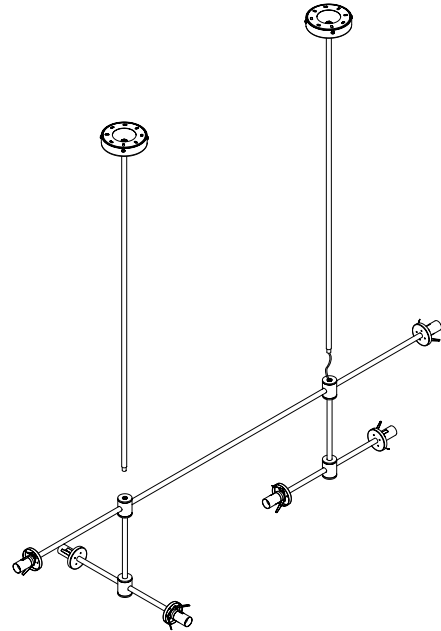
There will be removable arrows attached to the fittings, to show rotation direction.



2. Feed the power cable from the drop rod into the ceiling rose cover.

Screw the drop rod to the central hub of the pendant.

Note: The drop rod should be tightened into the hub using a spanner to ensure there is no play between the parts.



3. Raise the pendant and make the electrical connections ensuring all wires are colour matched and the pendant is earthed correctly.

Bring the ceiling rose up to the mounted plate and secure using provided screws.

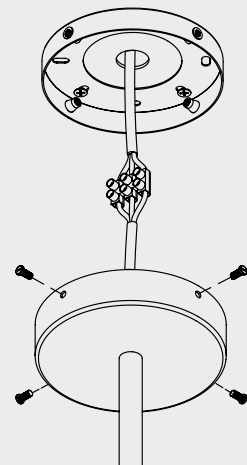
Note:  
Ensure that the weight of the pendant is fully supported during the electrical installation.

Note:  
Ensure that the weight of the pendant is fully supported during the electrical installation.

Terminal block not included. Installation must be performed by a qualified person

Any terminal blocks recommended must conform to IEC 60998-2-1 or IEC 60998-2-2

Terminal block - Specification  
 Type - Screw / screw less - IP20  
 No of terminals - 3  
 Rated voltage - 240v - 110V  
 Rated connecting capacity - AWG 24-12

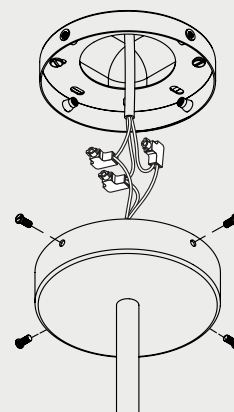
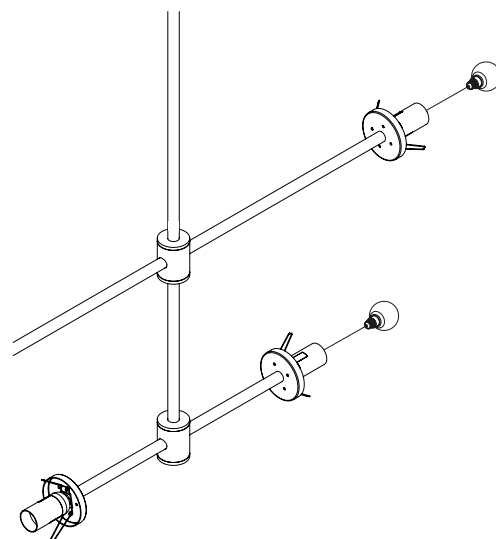


**3.** 120V

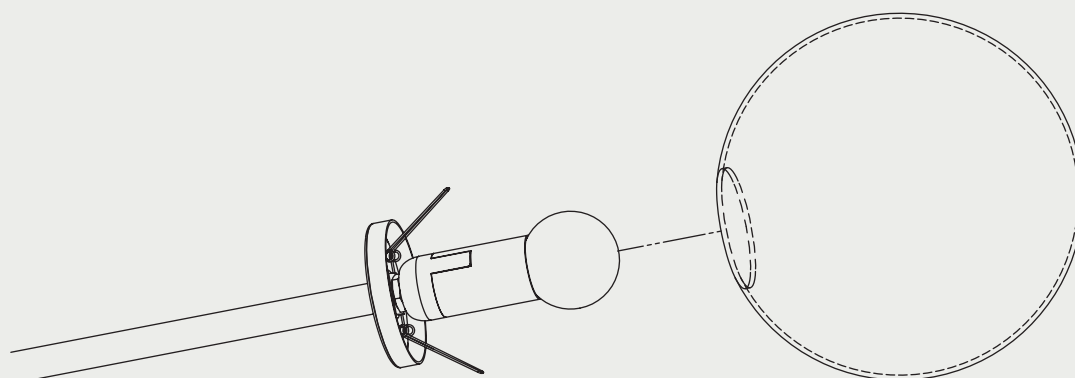
**US** Raise the pendant and make the electrical connections inside the junction box ensuring all wires are colour matched and the pendant is earthed correctly.

Bring the ceiling rose up to the mounted plate and secure using provided screws.

Note: Ensure that the weight of the pendant is fully supported during the electrical installation.

**4.** A. Fit the bulbs (not supplied) to the lamp-holder.**5.** B. Fit the glass shades to the pendant body.

Pinch the spring clips inwards and hold, slowly feeding the glass shade over the spring clips. Do not release the glass shades too quickly.



## MAINTENANCE

### Cleaning

Dust using a dry lint-free cloth weekly or as required

### Repairs

Contact  
CTO Lighting

### Warranty

Please visit  
[www.ctolighting.co.uk/  
pages/f-a-q](http://www.ctolighting.co.uk/pages/f-a-q)  
for CTO warranty policy

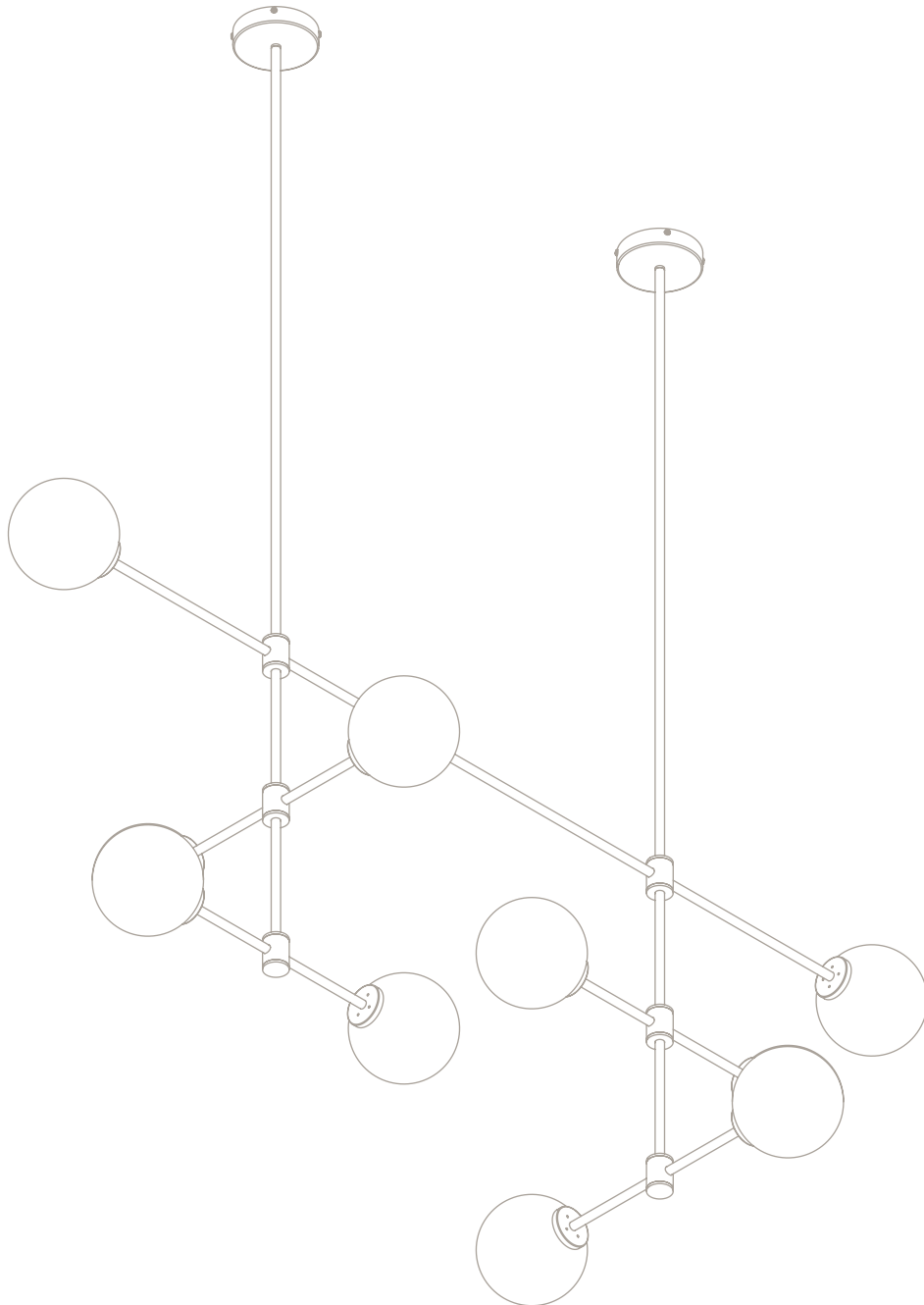
### Certification



E492308

## TREVI MULTI 10 PENDANT

Installation Guide



!

Please handle with care and wear gloves at all times during Assembly and installation to avoid damaging components.

## TECHNICAL

**Bulb Holder**  
 240v - 6 x E14  
 120v - 6 x E12  
 (bulbs not supplied)

**Wattage**  
 25w max (or 4.5w LED 2700k)

**Weight**  
 8.5kg (18.7lbs)

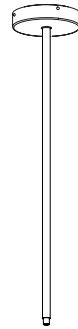
## PARTS & COMPONENTS

- A. 2 x Mounting plate, 8 x M4x12 screws
- B. 2 x Ceiling rose and drop rod
- C. 6 x 150mm glass shade
- D. 1 x Multi Trevi body

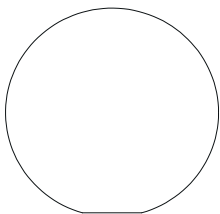
A.



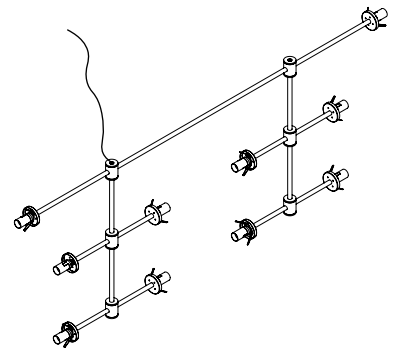
B.



C.



D.

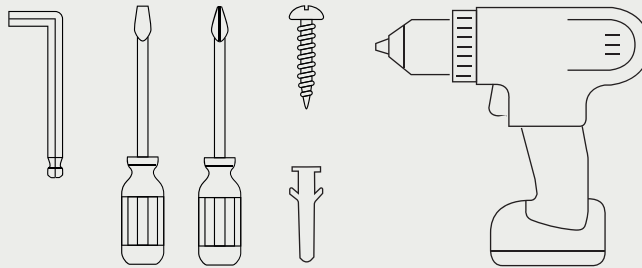


- All nuts and bolts required for assembling the light are included.



## BEFORE INSTALLATION

- Check that you have all components before starting the installation.
  - Installation must be carried out by a qualified electrician.
  - A minimum of two people is required to install a pendant light.
- Check that the ceiling or wall fixings are suitable and strong enough to support the weight of the light fixture.
  - You will need the below specific tools for a successful installation.

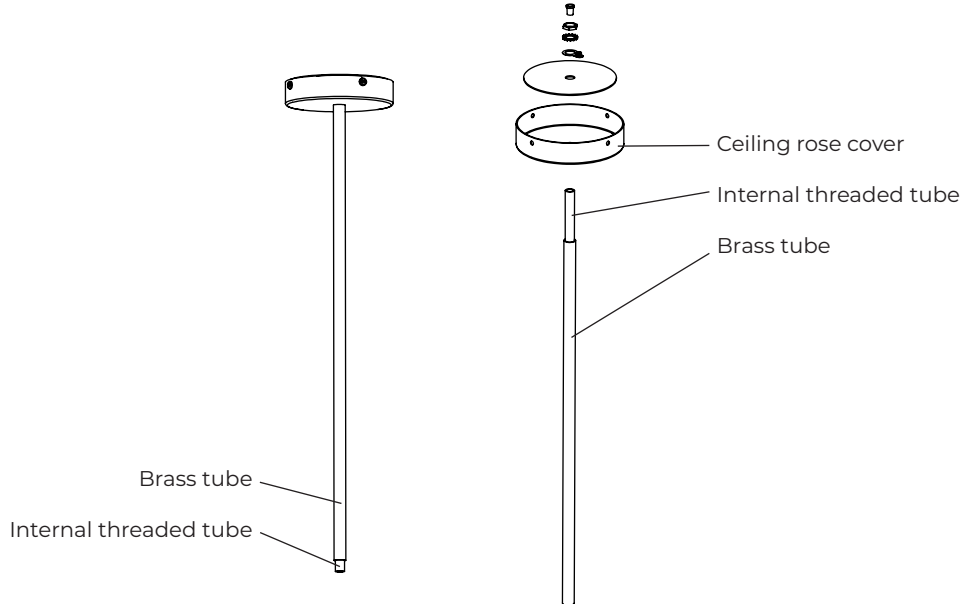


The light source contained in this luminaire shall only be replaced by the manufacturer or his service agent or a similar qualified person.

## HEIGHT ADJUSTMENT INSTRUCTIONS

Before attaching the drop rod to the body of the light, calculate the required total drop from ceiling to bottom of pendant. If any height adjustment is required, follow the steps below:

1. Separate the brass tube and the internal threaded tube from the ceiling rose cover by unscrewing the bolt.

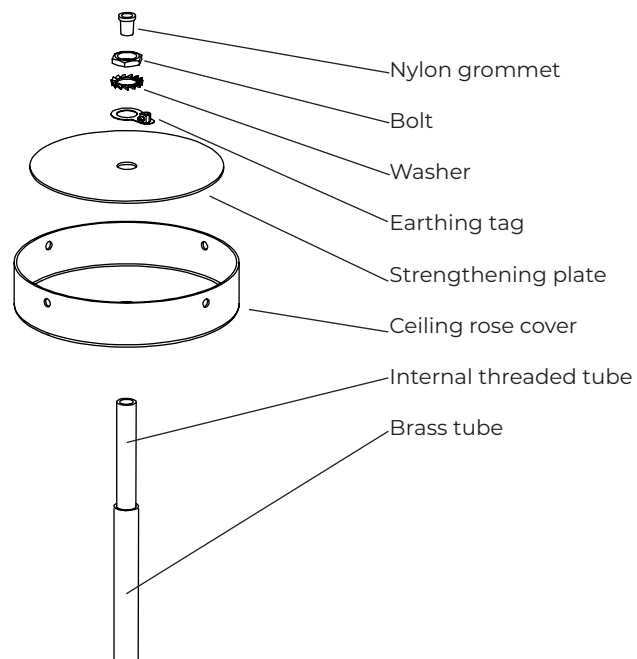


2. Measure the length the drop rod needs to be.
3. Cut the brass tube to this length using a hacksaw or similar tool.
4. Cut the same length from the internal threaded tube.

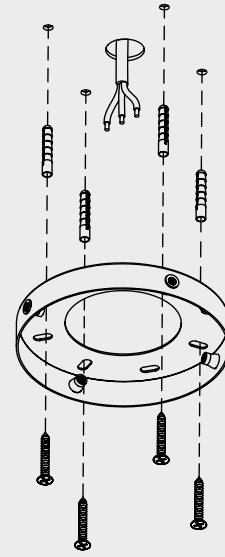
NOTE: Internal threaded tube must always be longer than the brass tube.

5. Once the brass tube and internal threaded tube are cut to correct lengths, slide the brass tube over the internal threaded tube and attach them back to the ceiling rose cover by using components provided.

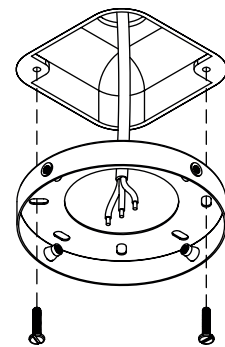
6. Once satisfied with the fit, secure bolts and all-thread with Loc-tite or similar adhesive.



1. Fix the mounting plate to the ceiling. Ensure that suitable screws are being used for the surface that you are mounting to (not supplied).

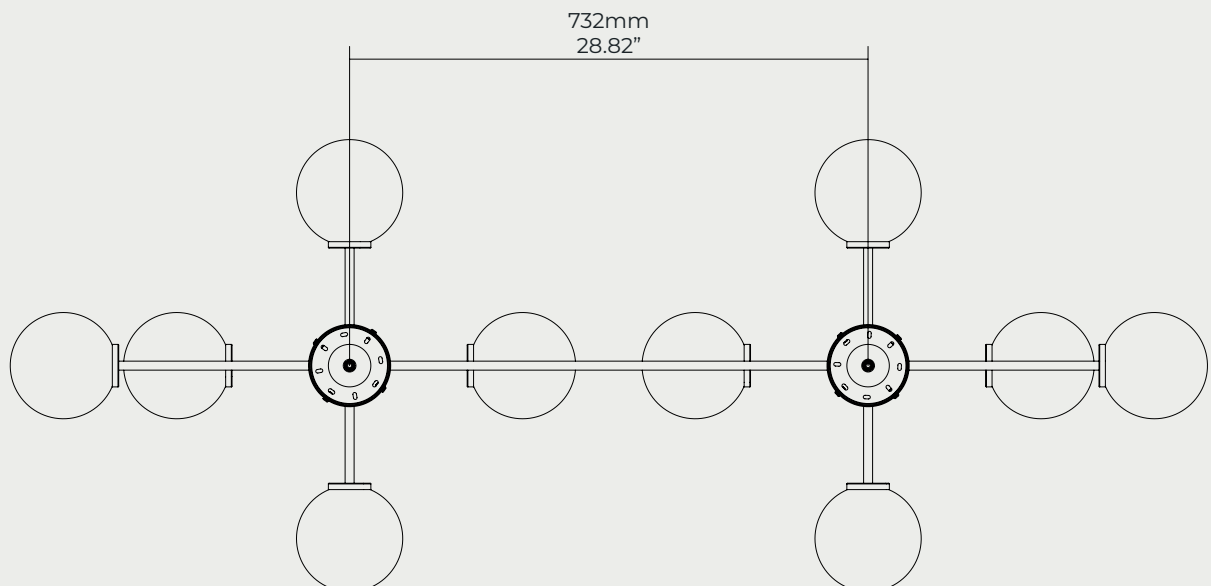


1. 120v  
US Fix the mounting plate to the junction box using suitable screws (not supplied).



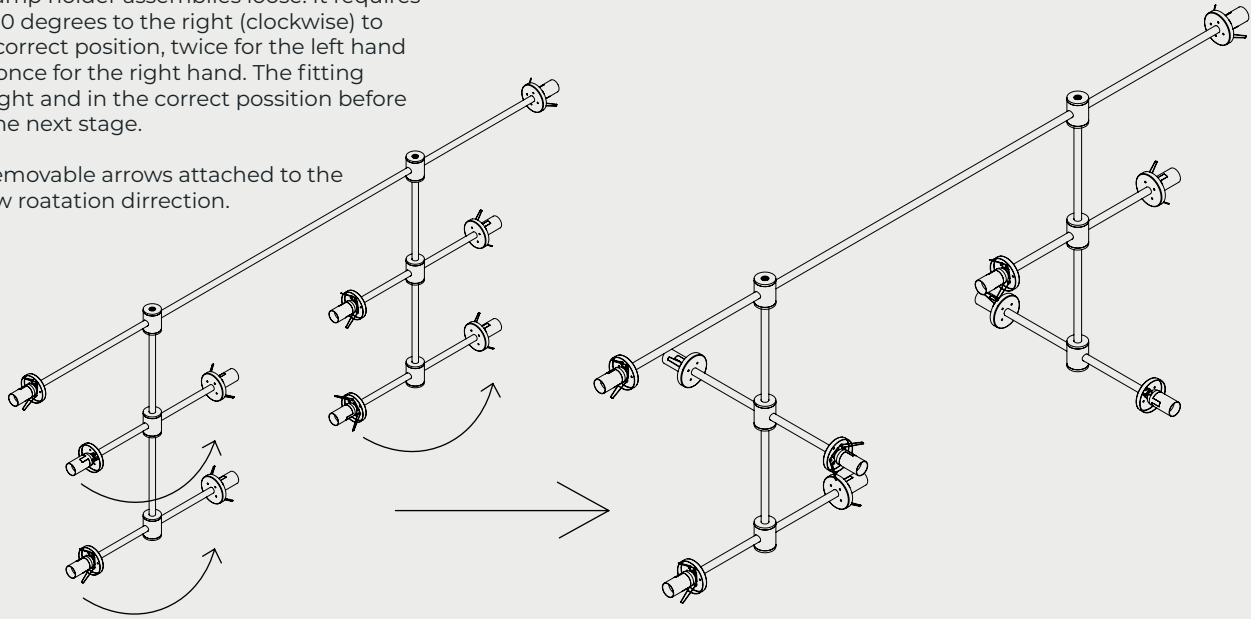
2. Mark the distances between the 2 drop rods. See distance below. Before repeating the step above for the second non powered drop rod.

**Please note this dimension is critical for the light to be installed correctly.**



1. The fitting will come in a flat orientation, with both of the 2 bottom lamp holder assemblies loose. It requires being turned 90 degrees to the right (clockwise) to tighten in the correct position, twice for the left hand assembly and once for the right hand. The fitting should be all tight and in the correct position before moving onto the next stage.

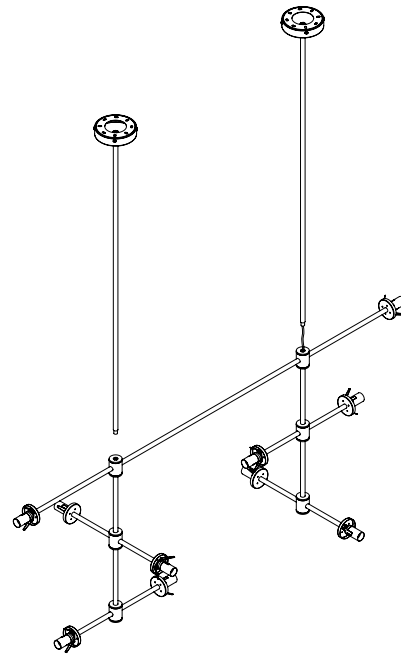
There will be removable arrows attached to the fittings, to show rotation direction.



2. Feed the power cable from the drop rod into the ceiling rose cover.

Screw the drop rod to the central hub of the pendant.

Note: The drop rod should be tightened into the hub using a spanner to ensure there is no play between the parts.



3. Raise the pendant and make the electrical connections ensuring all wires are colour matched and the pendant is earthed correctly.

Bring the ceiling rose up to the mounted plate and secure using provided screws.

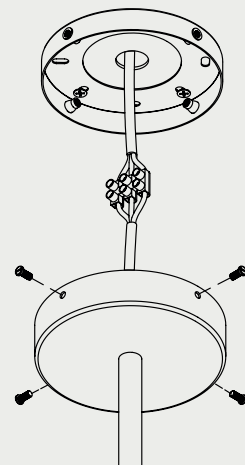
Note:  
Ensure that the weight of the pendant is fully supported during the electrical installation.

Note:  
Ensure that the weight of the pendant is fully supported during the electrical installation.

Terminal block not included. Installation must be performed by a qualified person

Any terminal blocks recommended must conform to IEC 60998-2-1 or IEC 60998-2-2

Terminal block - Specification  
Type - Screw / screw less - IP20  
No of terminals - 3  
Rated voltage - 240v - 110V  
Rated connecting capacity - AWG 24-12

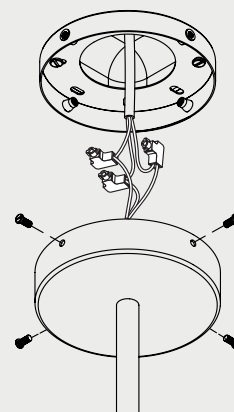
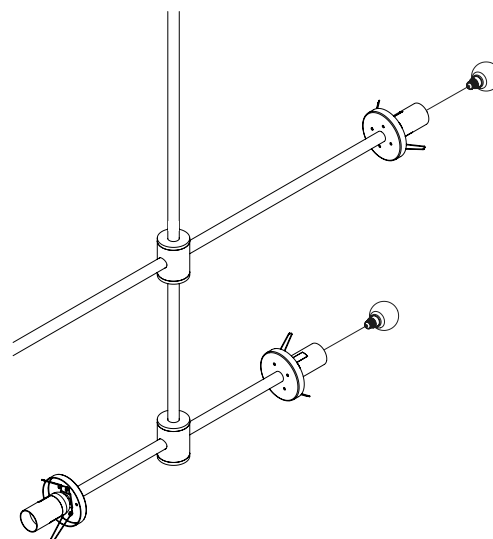


**3.** 120V

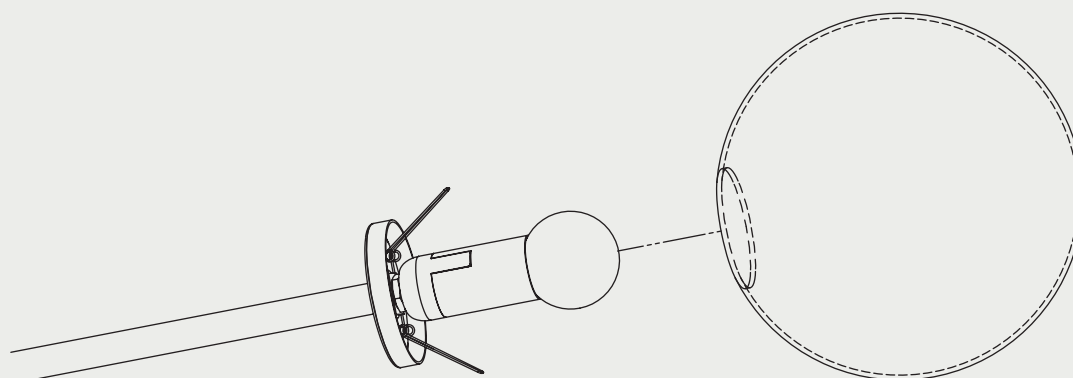
**US** Raise the pendant and make the electrical connections inside the junction box ensuring all wires are colour matched and the pendant is earthed correctly.

Bring the ceiling rose up to the mounted plate and secure using provided screws.

Note: Ensure that the weight of the pendant is fully supported during the electrical installation.

**4.** A. Fit the bulbs (not supplied) to the lamp-holder.**5.** B. Fit the glass shades to the pendant body.

Pinch the spring clips inwards and hold, slowly feeding the glass shade over the spring clips. Do not release the glass shades too quickly.



## MAINTENANCE

### Cleaning

Dust using a dry lint-free cloth weekly or as required

### Repairs

Contact  
CTO Lighting

### Warranty

Please visit  
[www.ctolighting.co.uk/  
pages/f-a-q](http://www.ctolighting.co.uk/pages/f-a-q)  
for CTO warranty policy

### Certification



E492308