

units of measurement inches

THULA

designed by Federica Biasi

562.45 Parete/Soffitto - Wall/Ceiling

Collezione / Series

Thula

Dimensioni / Dimensions

(51.5 x 11 x 7)cm / (20.27 x 4.33 x 2.76)"

Peso / Weight

0,9 kg / 2 lb

Materiali / Materials

aluminum, metal

CE IP40

Certificazioni / Certifications

CE (240V)

Sorgente / Source

24 V (with remote driver)

Integrated LED

Wattage: 8 Watts

Lumens: 1000 lm

Dimmability: -

Driver dimensions: (2 x 16 x 4,5)cm / (0.78 x 6.3 x 1.77)"

Color Temperature: 2700K

Note / Notes

Cable + plug version available

DALI version on request

Available remote driver for 110/120V

Finiture / Finishes

Hardware: C22 Beige + C22 Beige

C22 Beige + C68 Satin nickel,

C74 Sand black + C74 Sand black,

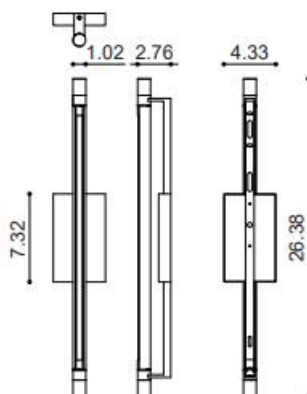
C74 Sand black + C68 Satin nickel

Structure made of aluminum and epoxy powder coated metal to which an organic component in wood or quilted leather is added. Composed of a dimmable linear LED. Version with cable and plug available on request. Remote driver.

Struttura realizzata in alluminio e metallo verniciato a polveri epossidiche a cui viene aggiunto un componente organico in legno o pelle trapuntata. Composta da un LED lineare dimmerabile. Versione con cavo e spina disponibile su richiesta. Driver remoto.

ABOUT

Designed by Federica Biasi, the Thula appliques and suspension lamps are based on a simple and architectural central element with an illuminating function to which an organic component in wood or quilted leather is added in a skillful game of addition and subtraction. Consists of a linear dimmable LED; in the simple wall version it can be oriented, thus giving direct or indirect light.



units of measurement inches

THULA

designed by Federica Biasi

562.46 Parete/Soffitto - Wall/Ceiling

Collezione / Series

Thula

Dimensioni / Dimensions

(67 x 11 x 7)cm / (26.38 x 4.33 x 2.76)"

Peso / Weight

1 kg / 2,2 lb

Materiali / Materials

aluminum, metal

CE IP40

Certificazioni / Certifications

CE (240V)

Sorgente / Source

24 V (with remote driver)

Integrated LED

Wattage: 11 Watts

Lumens: 1400 lm

Dimmability: -

Driver dimensions: (2 x 16 x 4,5)cm / (0.78 x 6.3 x 1.77)"

Color Temperature: 2700K

Note / Notes

Cable + plug version available

DALI version on request

Available remote driver for 110/120V

Finiture / Finishes

Hardware: C22 Beige + C22 Beige

C22 Beige + C68 Satin nickel,

C74 Sand black + C74 Sand black,

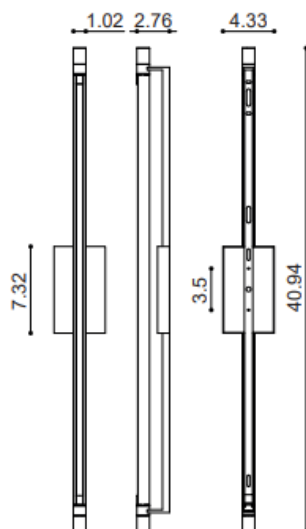
C74 Sand black + C68 Satin nickel

Structure made of aluminum and epoxy powder coated metal to which an organic component in wood or quilted leather is added. Composed of a dimmable linear LED. Version with cable and plug available on request. Remote driver.

Struttura realizzata in alluminio e metallo verniciato a polveri epossidiche a cui viene aggiunto un componente organico in legno o pelle trapuntata. Composta da un LED lineare dimmerabile. Versione con cavo e spina disponibile su richiesta. Driver remoto.

ABOUT

Designed by Federica Biasi, the Thula appliques and suspension lamps are based on a simple and architectural central element with an illuminating function to which an organic component in wood or quilted leather is added in a skillful game of addition and subtraction. Consists of a linear dimmable LED; in the simple wall version it can be oriented, thus giving direct or indirect light.



units of measurement inches

THULA

designed by Federica Biasi

562.47 Parete/Soffitto - Wall/Ceiling

Collezione / Series

Thula

Dimensioni / Dimensions

(104 x 11 x 7)cm / (40.94 x 4.33 x 2.76)"

Peso / Weight

1,5 kg / 3,3 lb

Materiali / Materials

aluminum, metal

CE IP40

Certificazioni / Certifications

CE (240V)

Sorgente / Source

24 V (with remote driver)

Integrated LED

Wattage: 20 Watts

Lumens: 2600 lm

Dimmability: -

Driver dimensions: (2 x 16 x 4,5)cm / (0.78 x 6.3 x 1.77)"

Color Temperature: 2700K

Note / Notes

Cable + plug version available

DALI version on request

Available remote driver for 110/120V

Finiture / Finishes

Hardware: C22 Beige + C22 Beige

C22 Beige + C68 Satin nickel,

C74 Sand black + C74 Sand black,

C74 Sand black + C68 Satin nickel

Structure made of aluminum and epoxy powder coated metal to which an organic component in wood or quilted leather is added. Composed of a dimmable linear LED. Version with cable and plug available on request. Remote driver.

Struttura realizzata in alluminio e metallo verniciato a polveri epossidiche a cui viene aggiunto un componente organico in legno o pelle trapuntata. Composta da un LED lineare dimmerabile. Versione con cavo e spina disponibile su richiesta. Driver remoto.

ABOUT

Designed by Federica Biasi, the Thula appliques and suspension lamps are based on a simple and architectural central element with an illuminating function to which an organic component in wood or quilted leather is added in a skillful game of addition and subtraction. Consists of a linear dimmable LED; in the simple wall version it can be oriented, thus giving direct or indirect light.