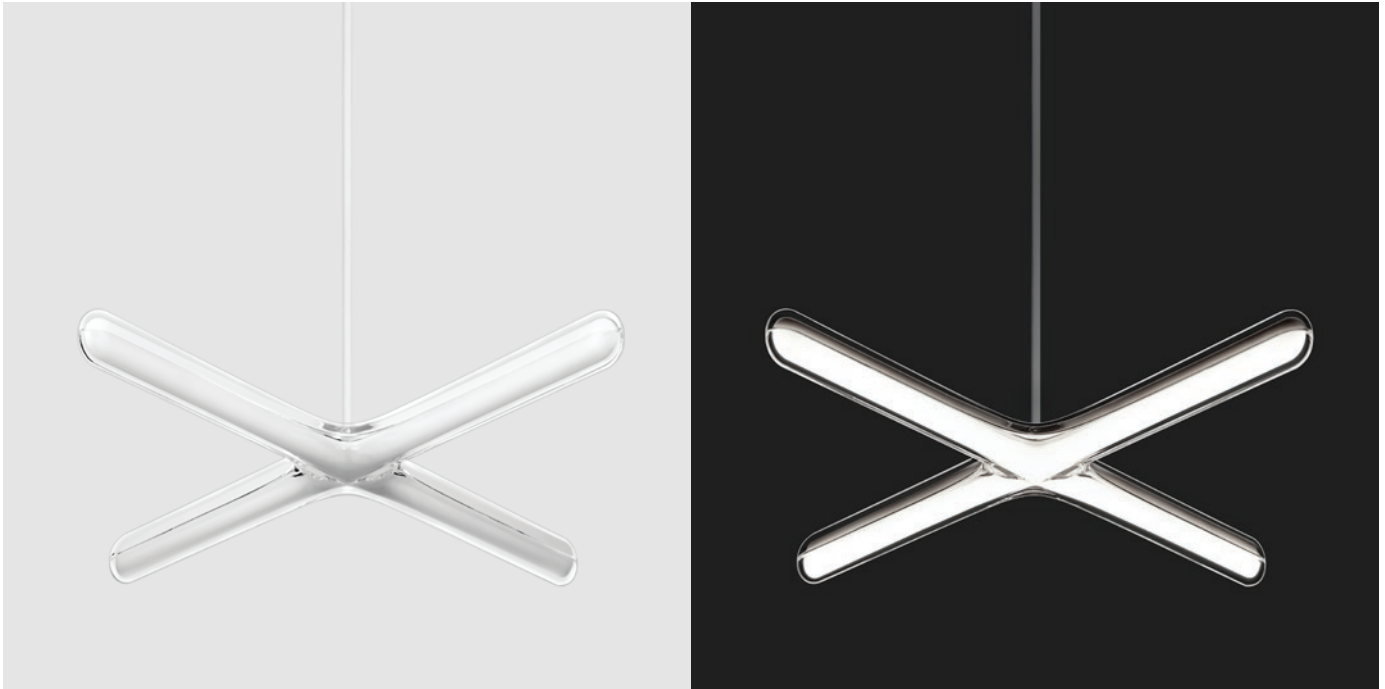


TWO PARTS



Lithium

By Christo Logan

Description

Indoor Pendant Fixture - Downlight

Fixture

Material: Acrylic + Polycarbonate

Color: Clear + White

Dims: 14.6" x 1.7 in / Span: 20.4 in

Dims: 372 x 43 mm / Span: 518 mm

Cord

Color: White

Length: 20 ft / 6 m

Driver

Fits in most Junction Boxes

Dimming: Triac, ELV, 0-10V

Input Voltage: 100-305V AC

LED

Input: 11W

Output: 800 lm

User replaceable: No

Life Expectancy: 50,000 hours

Color Accuracy: CRI 95+, R9 90+

Input: 12V Constant Voltage

Warranty

Fixture: 5 years

Driver: 3 years

Certification

ETL Listed (UL + CSA Standards)

Damp Location

CE, RoHS

Download CAD, Revit, IES

<http://two.parts/lithium>

Light Temp

□ LIT-CW-27 : 2700K

□ LIT-CW-30 : 3000K

□ LIT-CW-35 : 3500K

Cluster Size + Driver

□ 1 : 25W Driver

□ 2 : 25W Driver

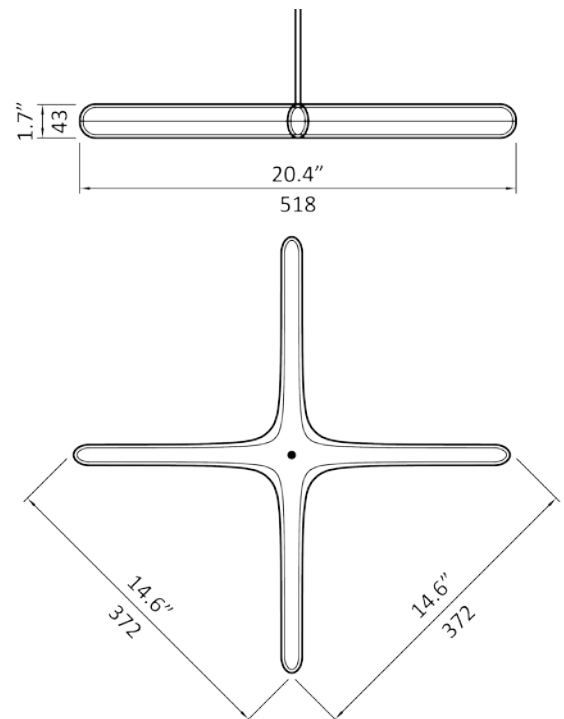
□ 3 : 40W Driver

□ 4 : (2) 25W Drivers

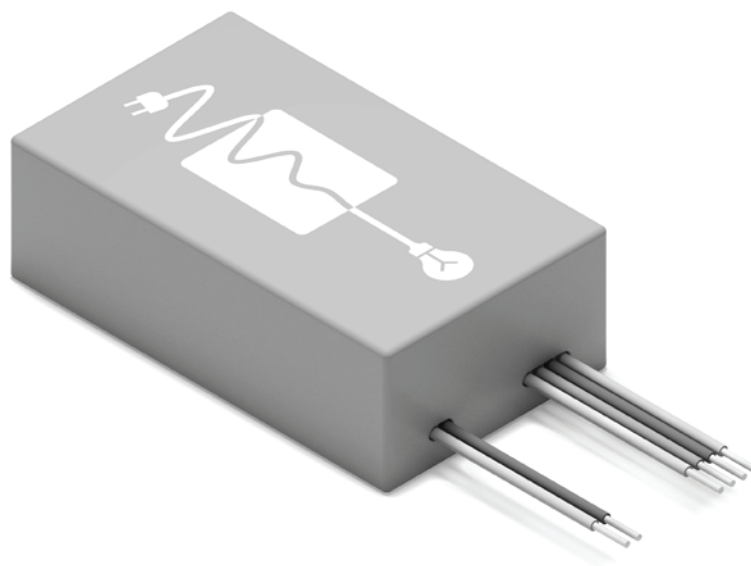
□ 5 : (2) 40W Drivers

□ 6 : (2) 40W Drivers

□ 7 : (3) 40W Drivers



TWO PARTS



Driver 10W

By LTF LLC

Part No

D10W12V-UI-UD

Description

Dimmable Low Voltage LED Driver

Manufacturer Part

LTF DS10W12VMB1UD

Features

Fits in most Junction Boxes
Auto-reset, Short Circuit, Overload
and Thermal Protection

Warranty

3 year limited warranty

Input

Voltage: 100-305V AC
Frequency: 50/60Hz

Output

Type: Constant Voltage
Power: 10W
Voltage: 12V DC
Current: 833mA

Specs

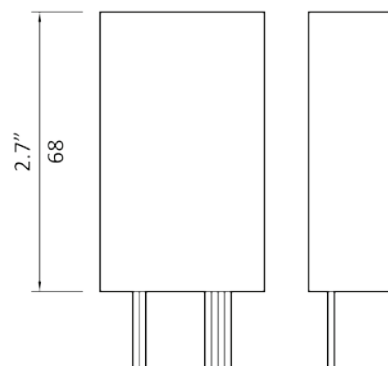
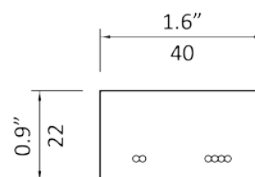
Dimming: Triac, ELV, 0-10V
Class: Class 2 Power Supply
IP Rating: IP67
Humidity: 95% RH Max

Certification

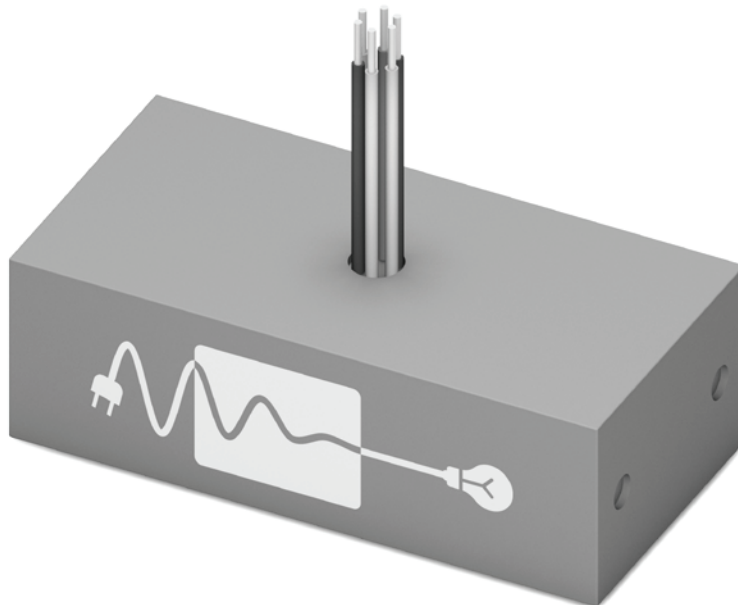
UL8750, UL1310
CE, RoHS
FCC Part 15 Class B Compliant

Dimensions

2.7 x 1.6 x 0.9 in
68 x 40 x 22 mm



TWO PARTS



Driver 25W

By LTF LLC

Part No

D25W12V-UI-UD

Description

Dimmable Low Voltage LED Driver

Manufacturer Part

LTF DS25W12VBF1UD

Features

Fits in most Junction Boxes
Auto-reset, Short Circuit, Overload
and Thermal Protection

Warranty

3 year limited warranty

Input

Voltage: 100-305V AC
Frequency: 50/60Hz

Output

Type: Constant Voltage
Power: 25W
Voltage: 12V DC
Current: 2083mA

Specs

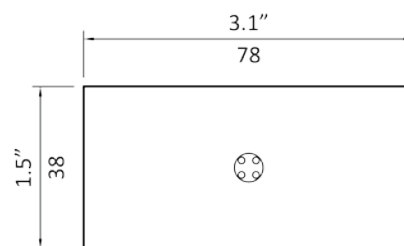
Dimming: Triac, ELV, 0-10V
Class: Class 2 Power Supply
IP Rating: IP67
Humidity: 95% RH Max

Certification

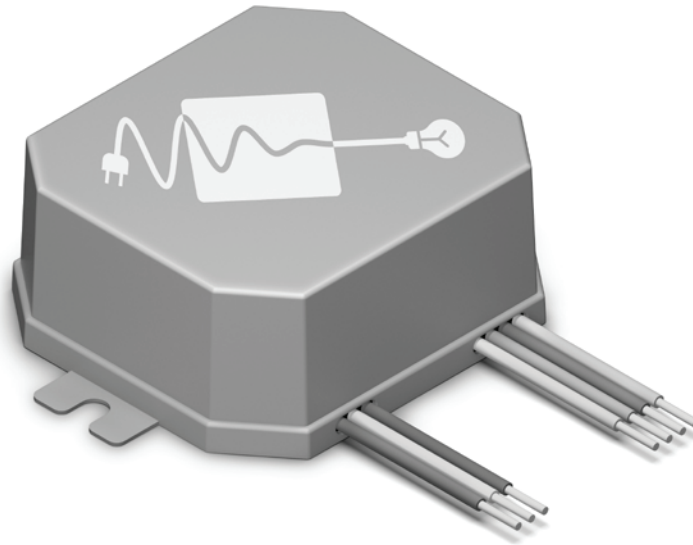
UL8750, UL1310
CE, RoHS
FCC Part 15 Class B Compliant

Dimensions

3.1 x 1.5 x 1.0 in
78 x 38 x 26 mm



TWO PARTS



Driver 40W

By LTF LLC

Part No

D40W12V-UI-UD

Description

Dimmable Low Voltage LED Driver

Manufacturer Part

LTF DS40W12VOCUD

Features

Fits in most Junction Boxes
Auto-reset, Short Circuit, Overload
and Thermal Protection

Warranty

3 year limited warranty

Input

Voltage: 100-305V AC
Frequency: 50/60Hz

Output

Type: Constant Voltage
Power: 40W
Voltage: 12V DC
Current: 3333mA

Specs

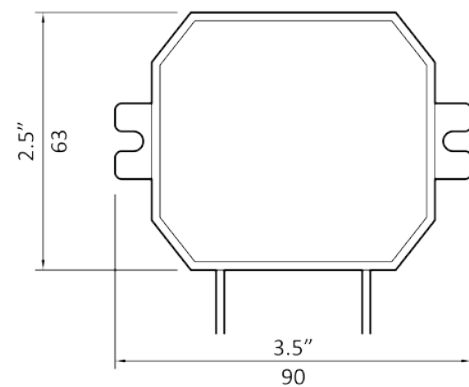
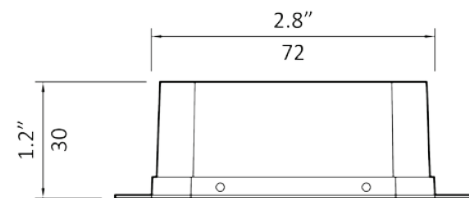
Dimming: Triac, ELV, 0-10V
Class: Class 2 Power Supply
IP Rating: IP67
Humidity: 95% RH Max

Certification

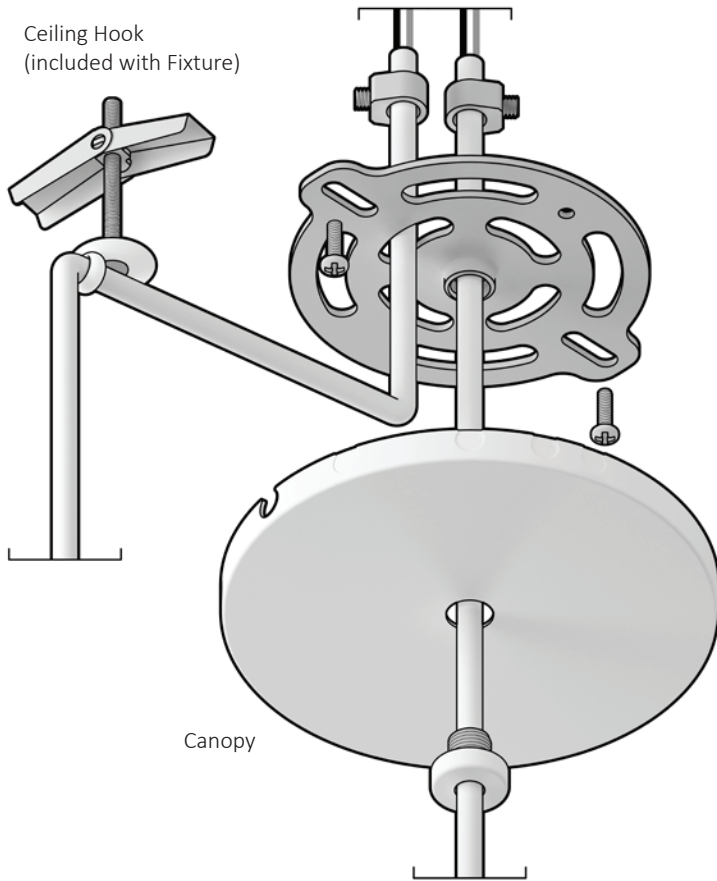
UL8750, UL1310
CE, RoHS
FCC Part 15 Class B Compliant

Dimensions

3.5 x 2.5 x 1.2 in
90 x 63 x 30 mm



TWO PARTS



Canopy01

By Christo Logan

Part No

C01-W-7P

Canopy

Fixtures Supported: 1- 7

Material: Steel

Color: White

Dims: $\varnothing 4 \frac{1}{2} \times H3/8$ in

Dims: $\varnothing 115 \times H9$ mm

Features

Low Profile

No exposed screws

Side port knockouts

Center port cap

Ceiling Hook

Included with Fixture

Screw size: #8 or M4 flathead

Material: Steel

Color: White

Dims: $\varnothing 0.8 \times H0.4$ in

Dims: $\varnothing 20 \times H11$ mm

Certification

ETL Listed (UL & CSA Standards)

Damp Location

CE, RoHS

Download CAD, Revit, IES

<http://two.parts/canopy01>

Center & Side Mounted



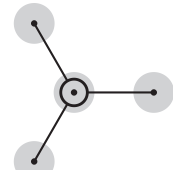
1



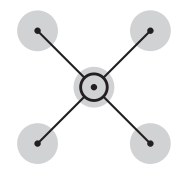
2



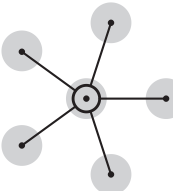
3



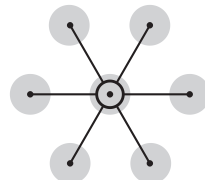
4



5

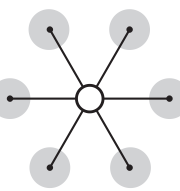
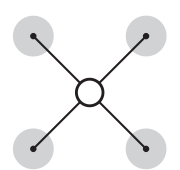
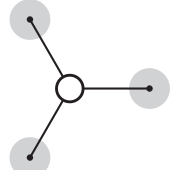
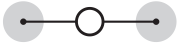
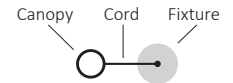


6



7 Fixtures

Side Mounted Only



TWO PARTS

Circuit Connector (customer provided)
Must be UL/CSA/CE approved (US/Canada/Europe) for applicable wire gauge

LED Driver
To be housed in accessible location as near as possible to Fixture.

Circuit Connector (customer provided)
Must be UL/CSA/CE approved (US/Canada/Europe) for applicable wire gauge

Anchor
Hole Ø: 9/16" or 15mm

Ceiling Hook
Use #8 or M4 flathead screw located 1/2" or 13mm shy of fixture location

Cord
Side Mounted

Side Port Knockout

Building Wires (customer provided)

Internal Wires Black+ White-
Multiple Fixtures to be wired in parallel to a single Driver

Cord Grip

Crossbar

Screw (customer provided)

Canopy

Center Port

Canopy Screw

Cord
Center Mounted

INSTALL GUIDE

All components are included unless otherwise noted.

WARNING

Electric shock risk. Use caution when installing. Turn off electrical power at breaker before installation. Installation should be performed by a qualified electrician only.

The installer must ensure that the ceiling can support fixture's weight and reinforce ceiling structure by adequate means if necessary.

MAINTENANCE

Wipe exposed surfaces with dry cloth as needed.

INSTRUCTIONS

1A Center Mount Remove cap from Canopy Screw.

1B Side Mount Install Ceiling Hook(s) with loop facing away from canopy. Knock out side port(s) according to cluster configuration.

2 Cut each Cord to desired length, leaving 3" (70mm) of exposed Internal Wires.

3A Center Mount Thread Cord through Canopy Screw, Canopy, Crossbar and Cord Grip.

3B Side Mount Thread Cord through Ceiling Hook, Crossbar and Cord Grip.

4 Secure Cord Grip onto each Cord with 1/2" (10mm) of Cord left above.

5 Using Circuit Connectors appropriate to local building code, connect Internal Wires to Driver and connect Driver to Building Wires.

6 Screw Crossbar to ceiling or outlet box.

7 Affix Canopy Screw to Crossbar with Canopy in between.