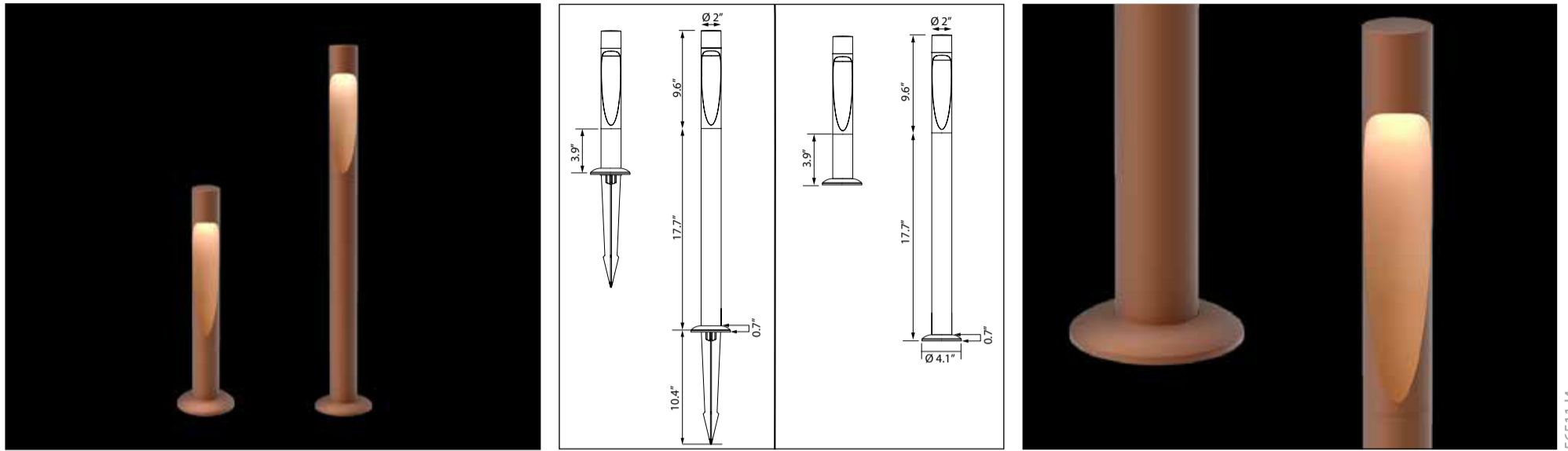

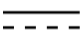


Flindt Garden Anchor & Base

Design Christian Flindt



56511-14

Light source	Voltage/frequency	Weight	Ingress protection	Impact protection
LED 7W 	24Vdc 	Max. 4.4 Lbs	Suitable for Wet location Anchor/Base: (Fixed installation) IP44	IK 06

Recommended cleaning substances:

Wipe off dust with a dry, soft cloth. Remove greasy spots etc. with a soft cloth dampened in lukewarm water (<122° F/ 50° C) with a mild detergent. Never use detergents containing abrasives and solvents.

Warning: Scouring powder and similar substances will scratch surfaces.

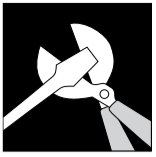
All installation is subject to local code and jurisdiction. Consult a qualified electrician to ensure correct branch circuit conductor.

The installer must ensure that the foundation is stable and can support the luminaire's weight. The Installer must use proper means to secure the luminaire to the ground.



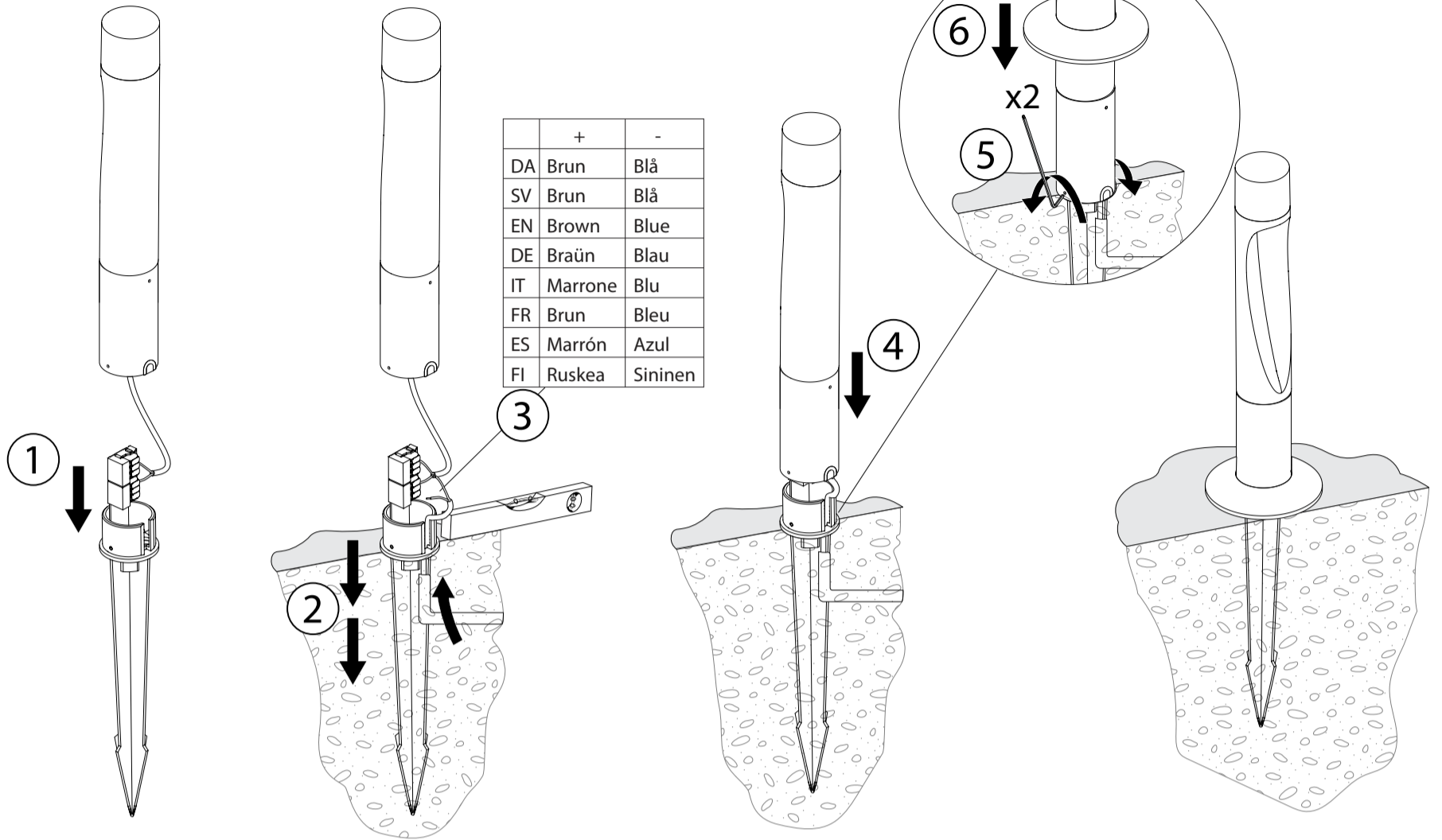
Due to possibility of personal injury or property damage, always contact a qualified electrician for servicing or repair of this fixture. To avoid risk of electrical shock, personal injury, or death, disconnect power to fixture before servicing.

How to calculate max. numbers of luminaires that can be connected:	
Powersupply maximum wattage	40 Watt
Wattage of luminaire	7 Watt
Total number of luminaires	$40w/7w = 5,7 \approx 5$ Luminaires

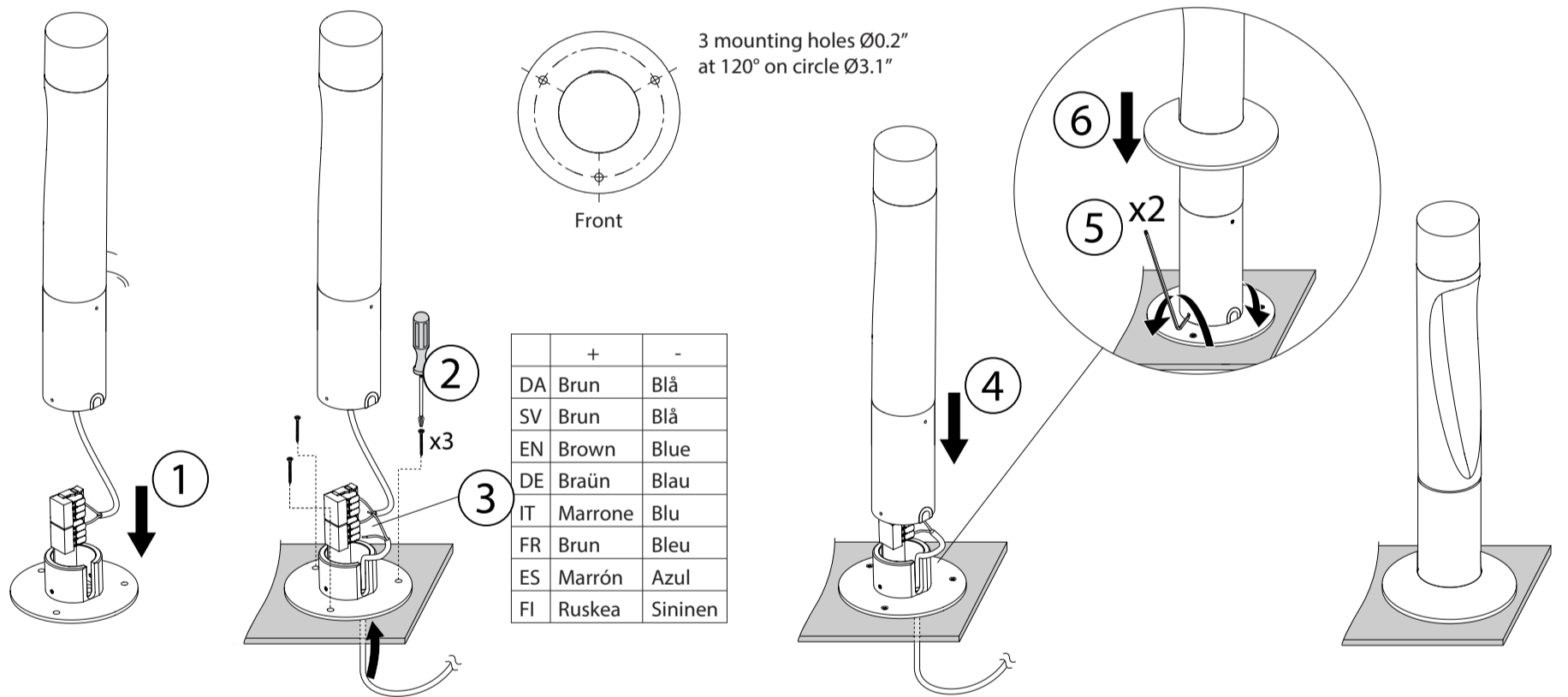


Base and Anchor mounted bollards intended for professional installed below-ground cable routing. Installer to ensure cables and conduit meet all applicable codes and regulations.

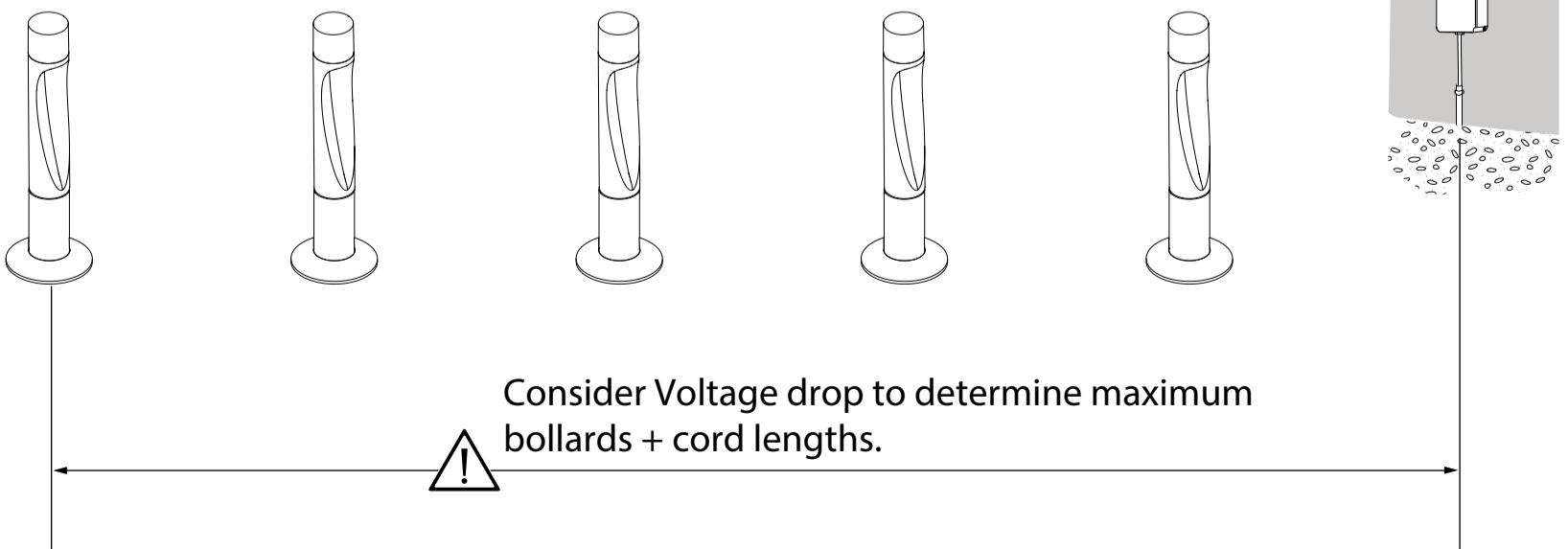
A



B

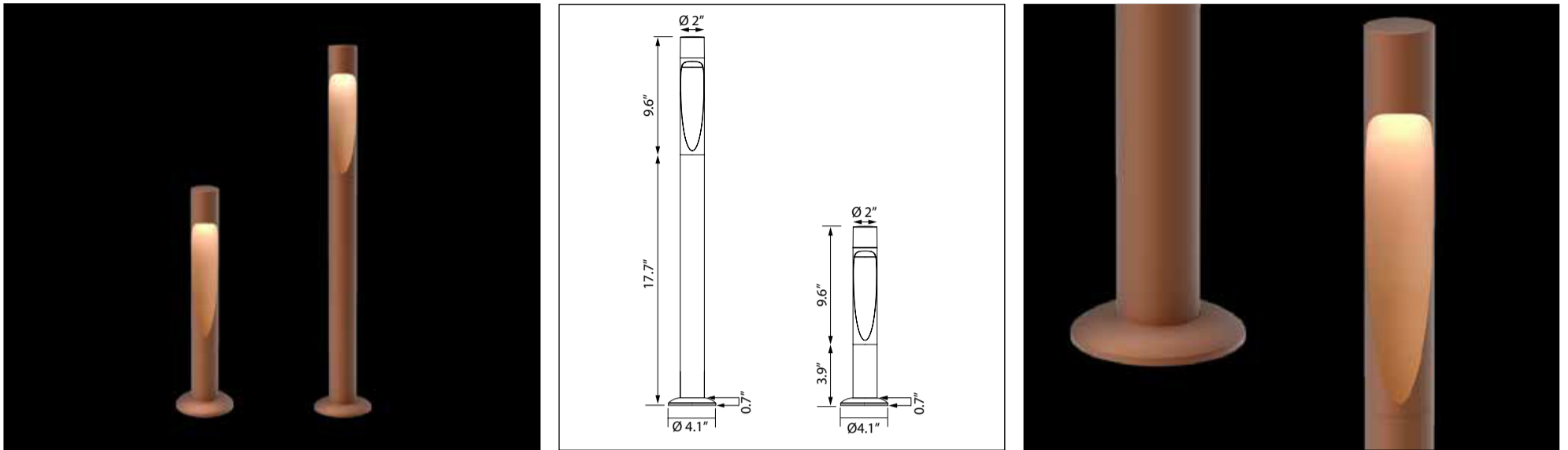




Installation with fixed installation



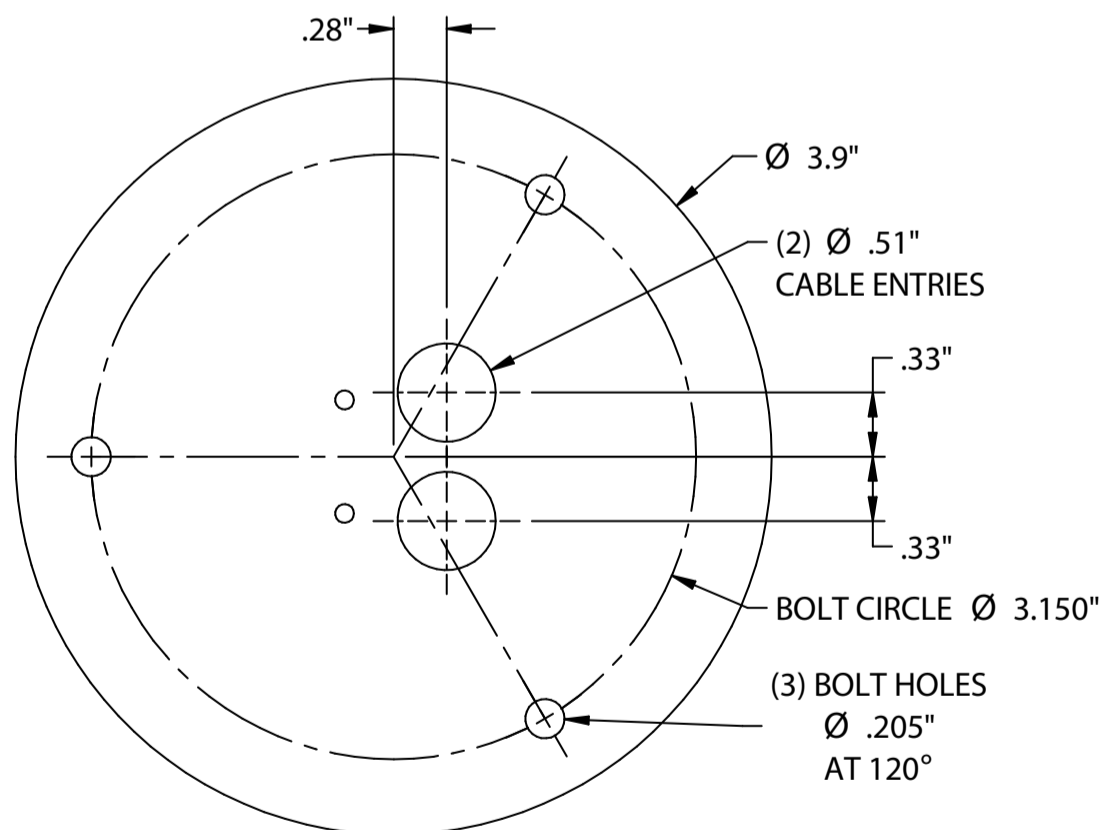
Flindt Garden Base Template

Design Christian Flindt



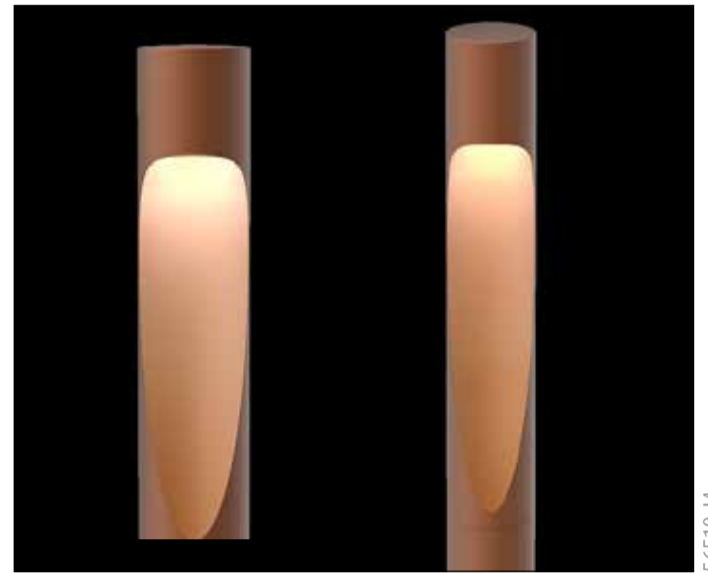
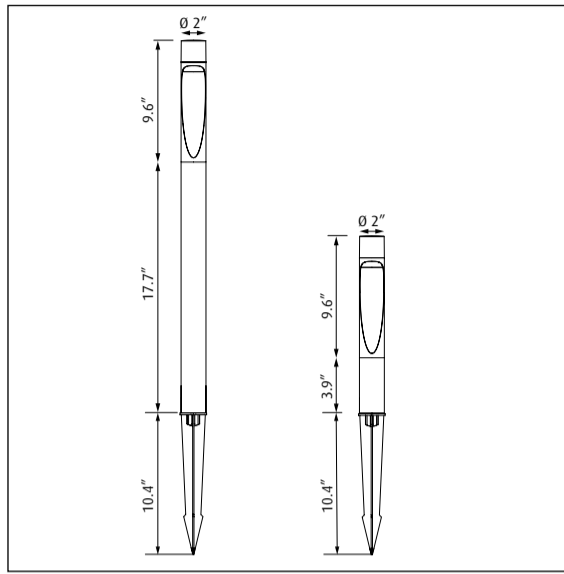
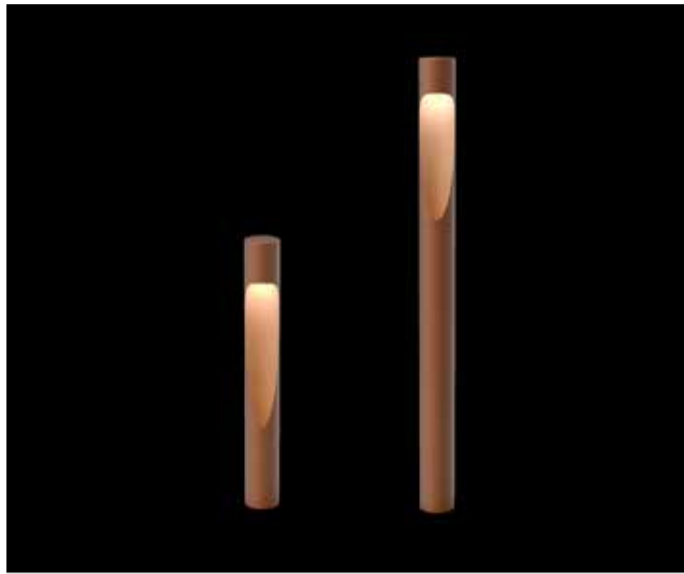
Light source	Voltage/frequency	Weight	Ingress protection	Impact protection
LED 	24Vdc 	Max. 4.4 Lbs	Suitable for Wet location Anchor/Base: (Fixed installation)	IP44 IK 06

Full scale drawing of base plate. Mounting hardware is not included. Installer to use hardware of sufficient strength for site specific requirements. Do not install in locations prone to flooding. Consult local authorities for applicable code and regulations.


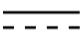


Flindt Garden Spike

Design Christian Flindt



56510-14

Light source	Voltage/frequency	Weight	Ingress protection	Impact protection
LED 7W 	24Vdc 	Max. 4.4 Lbs	Suitable for Wet location (Plugs encl. the Fixture) IP 65	IK 06

Recommended cleaning substances:

Wipe off dust with a dry, soft cloth. Remove greasy spots etc. with a soft cloth dampened in lukewarm water (<122° F/ 50° C) with a mild detergent. Never use detergents containing abrasives and solvents.

Warning: Scouring powder and similar substances will scratch surfaces.

All installation is subject to local code and jurisdiction. Consult a qualified electrician to ensure correct branch circuit conductor.

The installer must ensure that the foundation is stable and can support the luminaire's weight. The Installer must use proper means to secure the luminaire to the ground.



Due to possibility of personal injury or property damage, always contact a qualified electrician for servicing or repair of this fixture. To avoid risk of electrical shock, personal injury, or death, disconnect power to fixture before servicing.

EN

Extensions sold separately:

Extension cord: 5747405316 GARDEN EXTENSION CABLE 5M

T-Connector: 5747405303 GARDEN T-CONNECTOR

FR

Extensions vendues séparément:

Rallonge électrique: 5747405316 GARDEN EXTENSION CABLE 5M

Connecteur en T: 5747405303 GARDEN T-CONNECTOR

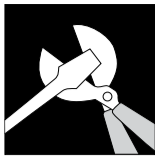
ES

Las extensiones se venden por separado:

Cable de extensión: 5747405316 GARDEN EXTENSION CABLE 5M

Conector en T: 5747405303 GARDEN T-CONNECTOR

How to calculate max. numbers of luminaires that can be connected:	
Powersupply maximum wattage	40 Watt
Wattage of luminaire	7 Watt
Total number of luminaires	40w/7w = 5,7 ≈ 5 Luminaires



Wiring provided is only intended shallow burial less than 6" (152mm)
 If installed as direct burial then change to a suitable wiring according to
 national and local regulations.

