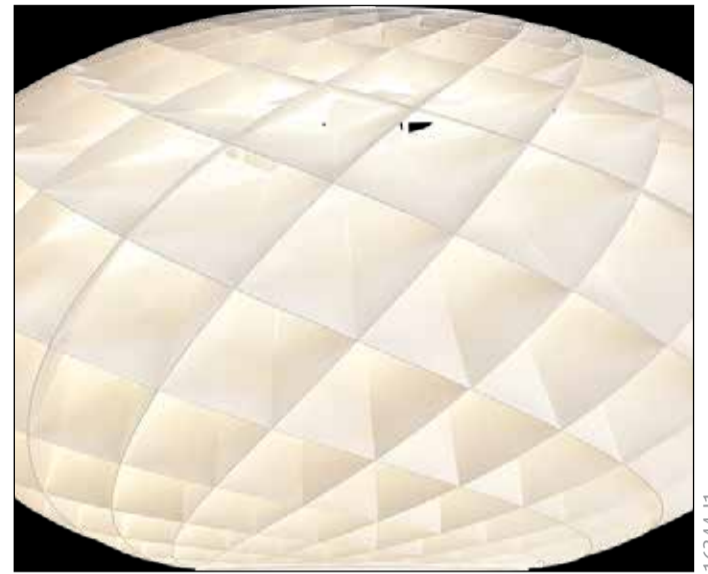
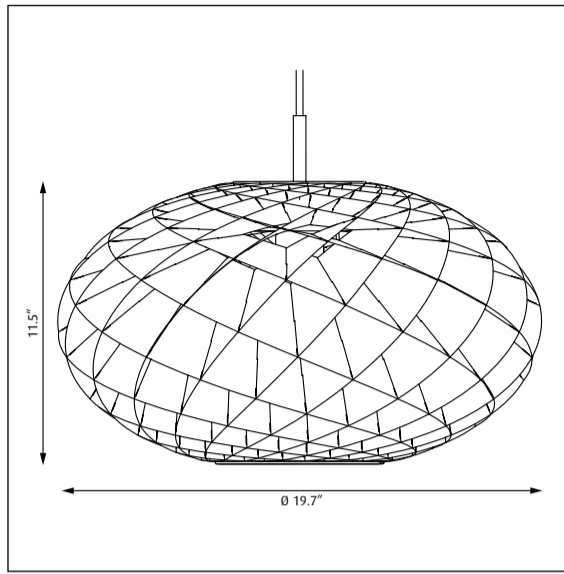



Patera Oval 500 LED

Design Øivind Slaatto



16344-11

Light source	Voltage	Weight	Ingress protection
LED 	120V	Max. 6.6 lbs	IP 20 / Dry location

Recommended cleaning substances:
Wipe off dust with a dry, soft cloth. Remove greasy spots etc. with a soft cloth dampened in lukewarm water (<122° F/ 50° C) with a mild detergent.
Use a thin brush through the openings or use oil free compressed air to remove dust from the lamellae.

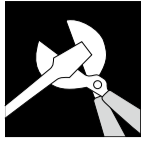
Warning: Scouring powder and similar substances will scratch surfaces.

All installation is subject to local code and jurisdiction.

The installer must ensure that the ceiling can support the luminaire's weight. The installer must if necessary reinforce the ceiling structure by adequate means.



Louis Poulsen A/S disclaims any liability if a half mirror light bulb is used. This type of light source reflects the heat and may damage/melt parts of the fixture.



WIRING INSTRUCTIONS:
 2 BLACK - LINE
 WHITE - NEUTRAL
 GREEN - GROUND
 VIOLET - 0-10V DIM POS (+)
 GREY - 0-10V DIM NEG (-)

CAP DIMMING WIRES
 (SEPARATELY) IF NOT USED

FOR DIMMING WIRES USE
 CLASS 1 WIRING METHODS

