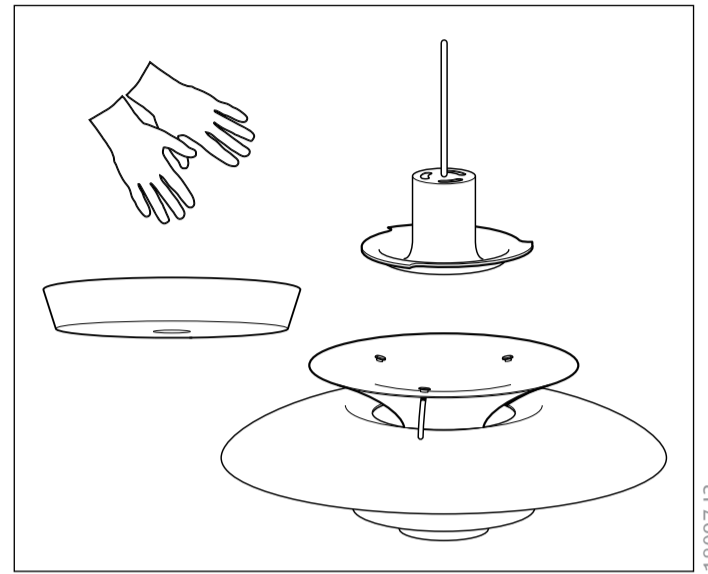
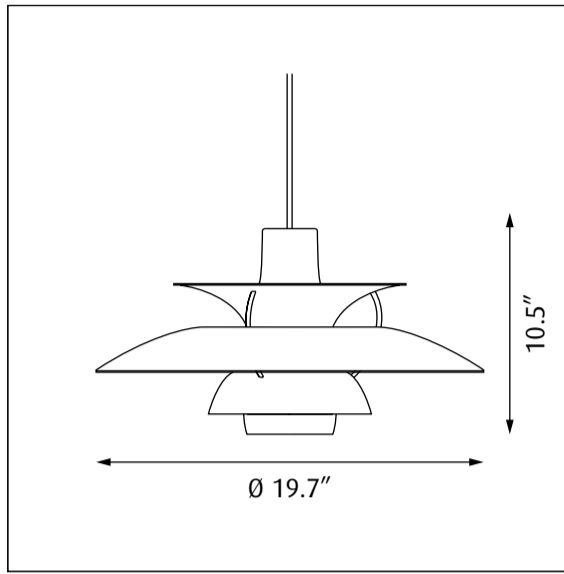



PH 5 Metal Surface

Design Poul Henningsen



18097-13

Light source	Voltage	Weight	Electric shock protection	Ingress protection
1/75W/A-21/ IF Medium Base  1/22W LED/A-21/ Medium	Max 120V	Max 6,6 lbs	Cl. II	IP 20

Recommended cleaning substances:

The metal surfaces are raw and untreated, and will become darker and less shiny on coming into contact with carbon dioxide and other airborne substances. Therefore, as soon as you open the packaging, you may notice areas of the polished surface which might have already developed a patina.

Wipe off dust with a dry, soft cloth. Remove greasy spots etc. with a soft cloth dampened in luke-warm water (<50° C) with a mild detergent. Never use detergents containing abrasives and solvents. If you prefer not to have a patina, it can be removed with a polishing agent, so that the surface appears bright and shiny. Follow the product instructions.

Note: Polishes must not come into contact with the product's matt finished surfaces.

Warning: Scouring powder and similar substances will scratch surfaces.

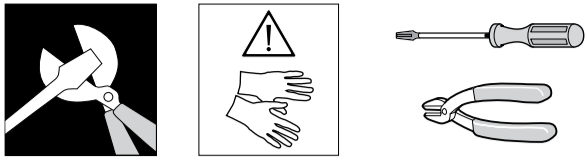
All installation is subject to local code and jurisdiction.

Consult a qualified electrician to ensure correct branch circuit conductor.

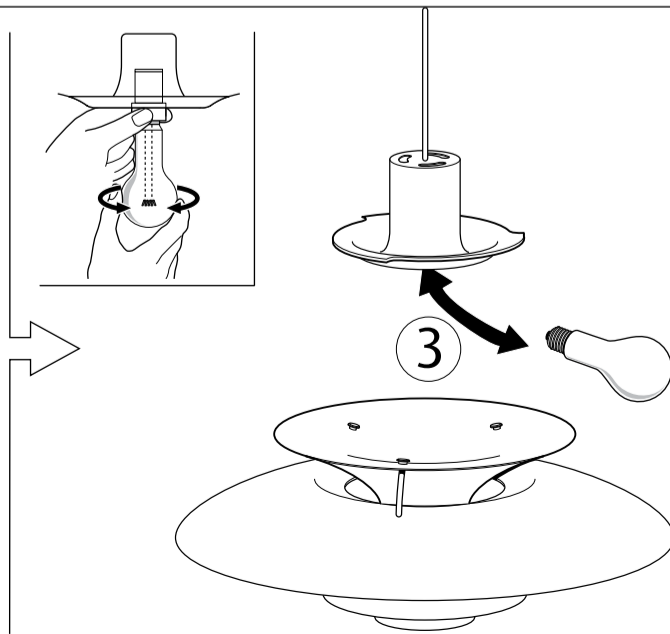
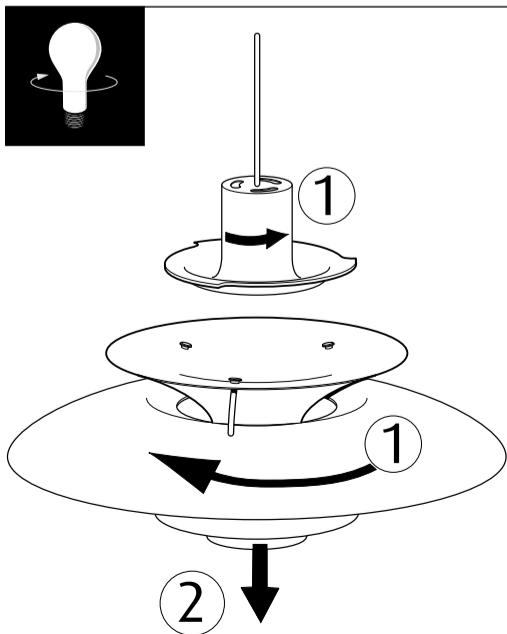
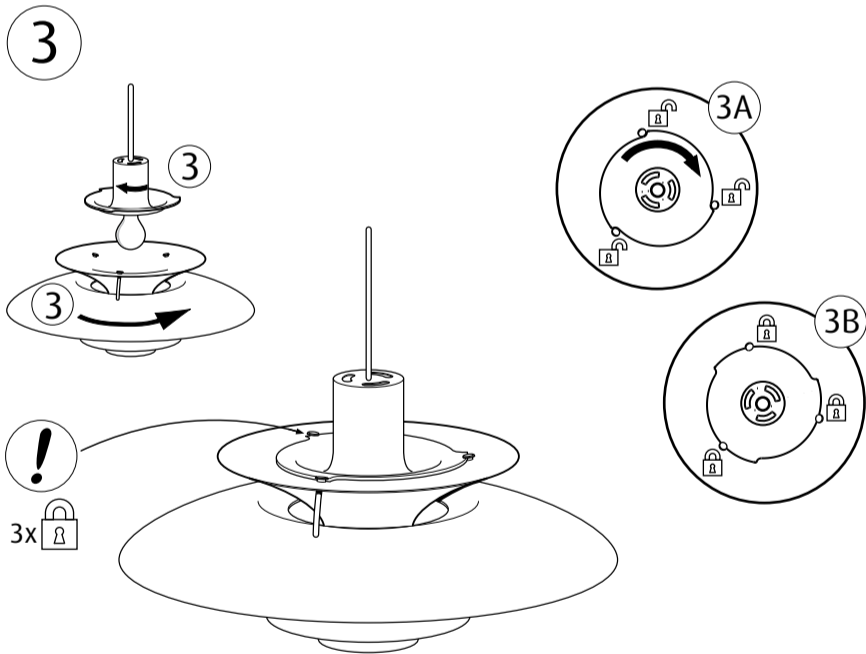
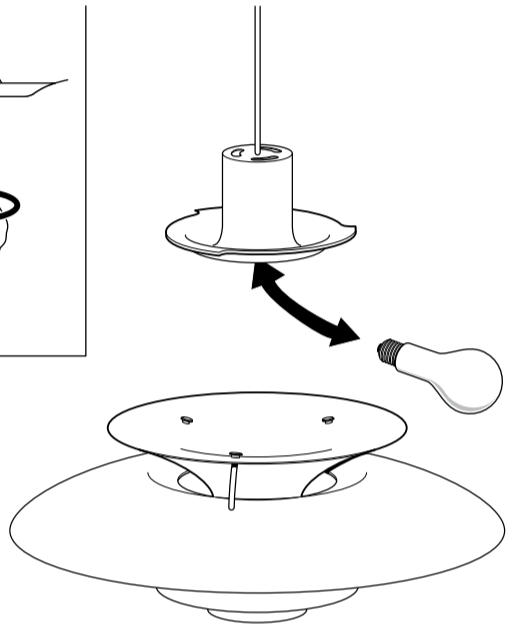
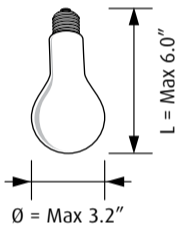
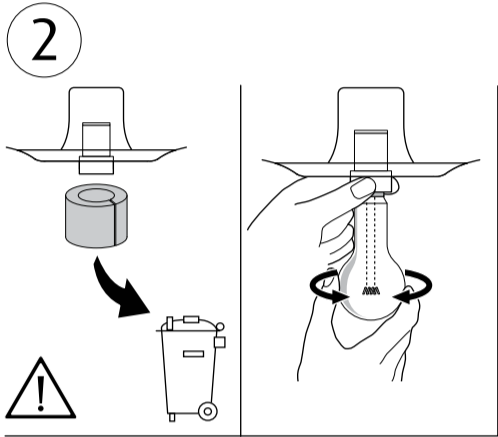
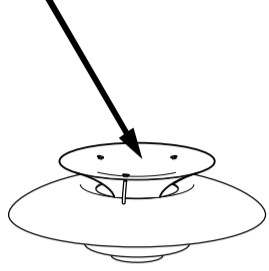
The installer must ensure that the ceiling can support the luminaire's weight. The installer must if necessary reinforce the ceiling structure by adequate means.



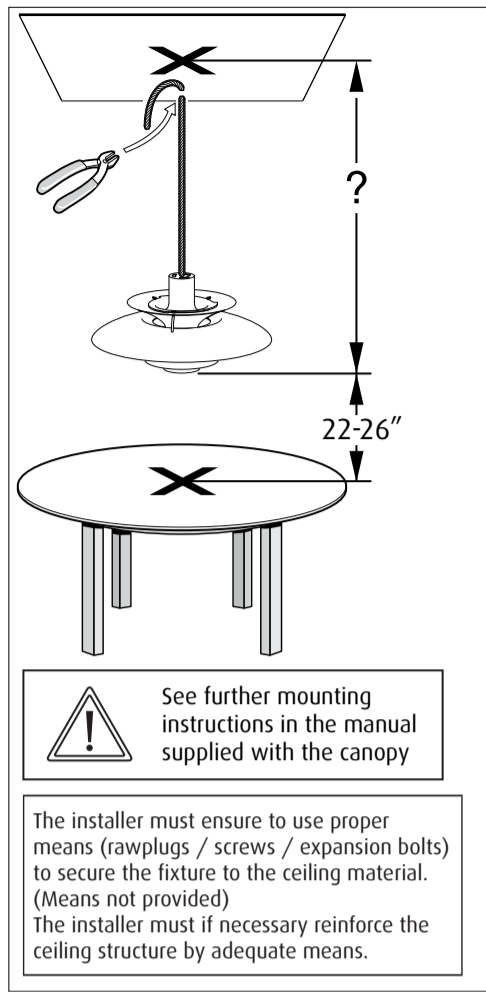
Louis Poulsen A/S disclaims any liability if a half mirror light bulb is used. This type of light source reflects the heat and may damage/melt parts of the fixture.



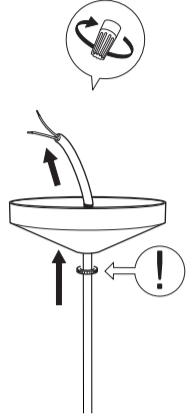
1 ID NUMBER: _____
Please register ID number at www.louispoulsen.com



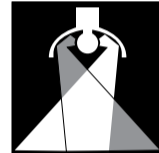
4



x2
Connect wires:
White = neutral
Black = line voltage



5



LIGHT DISTRIBUTION

