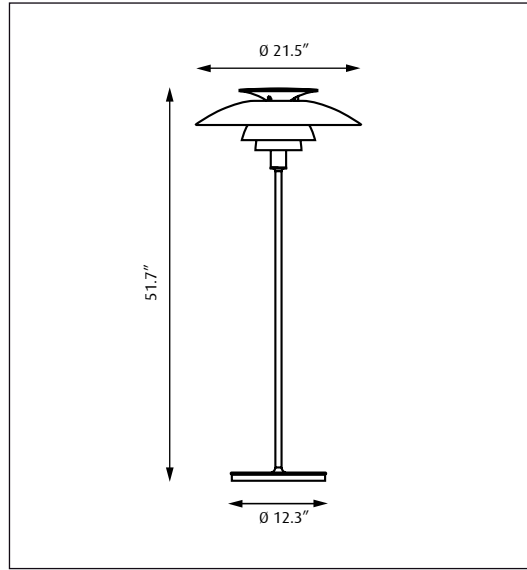



Design Poul Henningsen



10000121555

Light source	Voltage	Weight	Ingress protection
1/100W/A-21/CL medium <small>More info www.louispoulsen.com</small> 	120V	17 lb	IP 20

Wipe off dust with a dry, soft cloth. Remove greasy spots etc. with a soft cloth dampened in lukewarm water (<50° C) with a mild detergent. Never use detergents containing abrasives and solvents.



Louis Poulsen Lighting A/S disclaims any liability if a half mirror light bulb is used. This type of light source reflects the heat and may damage/melt parts of the fixture.

