

PH 6½-6 Suspension-kit LED

Design Poul Henningsen

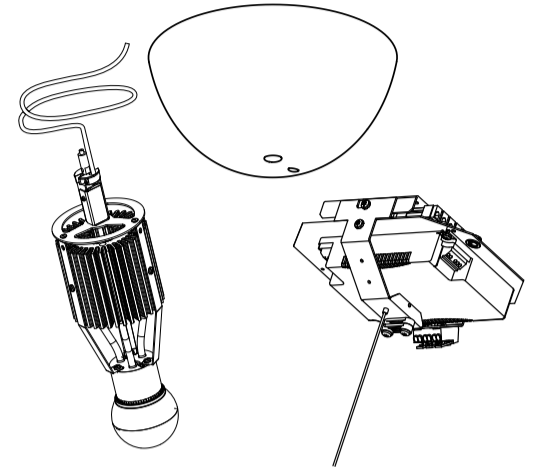


The PH 6½-6 Suspension-kit LED includes:

- 1 Plastic Canpoy
- 1 Electrical insert complete with ceiling bracket, driver and aircraft cable
- 1 LED insert complete with LED, diffuser and cable

5741915242 PH6½-6 LED Suspension-kit, is a Suspension-kit LED, 3000K, only for PH6½-6

5741915239 PH6½-6 LED Suspension-kit, is a Suspension-kit LED, 2700K, only for PH6½-6



17652-12

Dimension	Light source	Voltage	Option	Weight	Location ration
	LED, 2700K or 3000K	120-277V	DIM 0-10V	Max. 8.5 lbs	Dry location

All installation is subject to local code and jurisdiction. The installer must ensure that the structure being used can support the weight of the fixture.

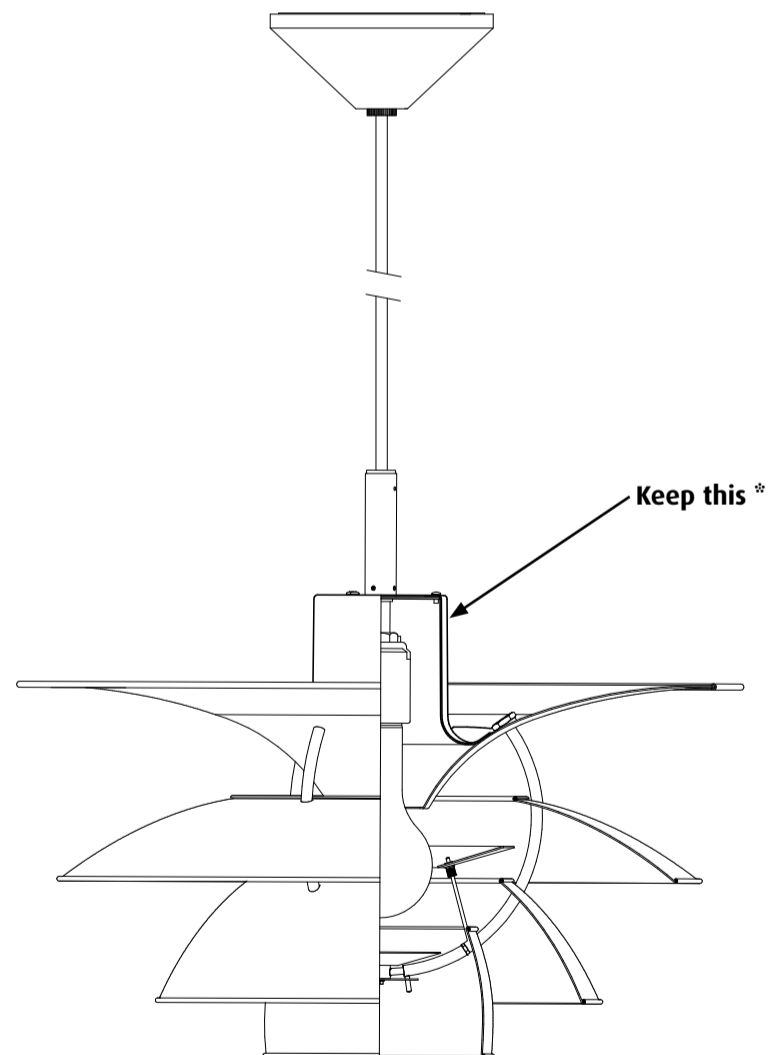
WARNING - Risk of fire or electric shock.
LED Retrofit kit installation requires knowledge of luminares electrical systems. If not qualified, do not attempt installation. Contact a qualified electrician.

WARNING - Risk of fire or electric shock.
Install this kit only in luminaires that have the construction features and dimensions shown in the photographs and/or drawings and where the input rating of the retrofit kit does not exceed the input rating of the luminaire.

WARNING - To prevent wiring damage or abrasion, do not expose wiring to edges of sheet metal or other sharp objects.

Do not make or alter any open holes in an enclosure of wiring or electrical components during kit installation.

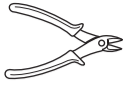
NOTE:
IMAGES ARE REPRESENTATIVE ONLY.
ACTUAL PRODUCT MAY VARY.



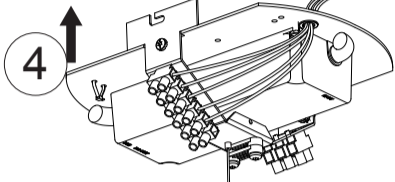
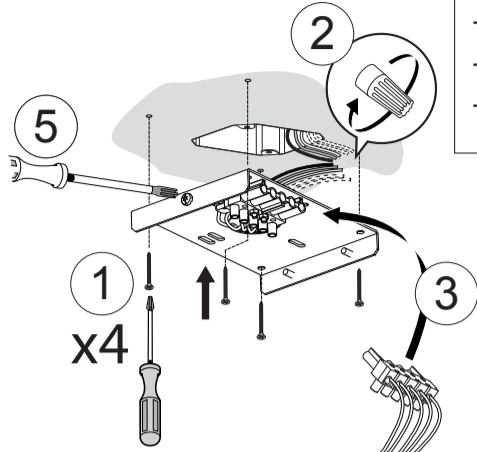
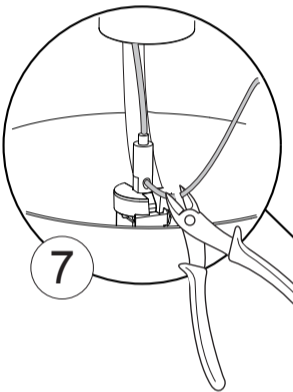
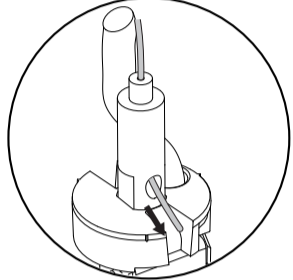
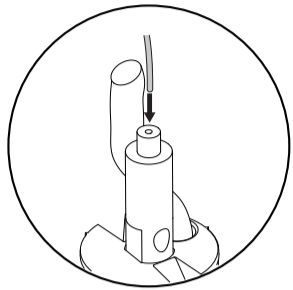
REMOVE ANY LAMPS AND DISCARD.
Completely remove fixture from ceiling.
Keep the shade set and discard all other parts.



- **To avoid electric shock or component damage disconnect power before attempting installation or servicing.**



- Green (Ground) For dimming wires use class 1 wiring methods:
- White (Neutral) Grey (0-10V Dim -)
- Black (Line) Violet (0-10V Dim +)



FOR DIMMING:

Remove & discard resistor from connector

FOR NON-DIMMING:

Keep resistor in connector. Cap off grey + violet wires.

