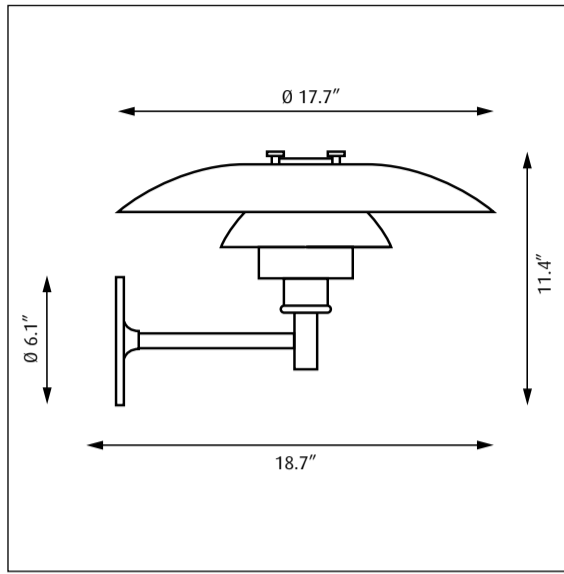


Design Poul Henningsen



38351-11

Light source	Voltage/Frequency	Weight	Electric shock protection	Ingress protection
<b>1x100W E26</b>	<b>Max 230V/50Hz</b>	<b>13.2Lbs</b>	<b>Cl. I</b>	<b>IP 23</b>

**Recommended cleaning substances:**

The metal surfaces are raw and untreated, and will become darker and less shiny on coming into contact with carbon dioxide and other airborne substances. Therefore, as soon as you open the packaging, you may notice areas of the polished surface which might have already developed a patina.

Wipe off dust with a dry, soft cloth. Remove greasy spots etc. with a soft cloth dampened in lukewarm water (<122° F/ 50° C) with a mild detergent.

Warning: Scouring powder and similar substances will scratch surfaces.

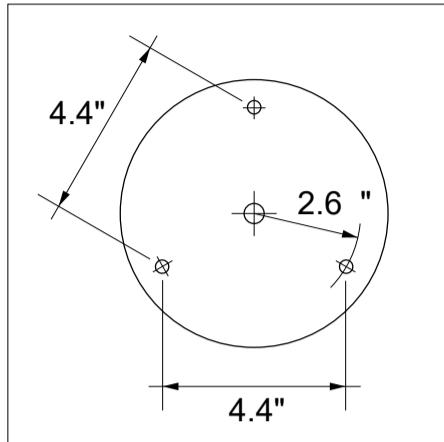
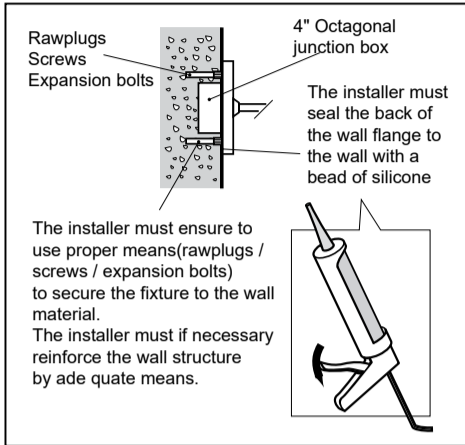
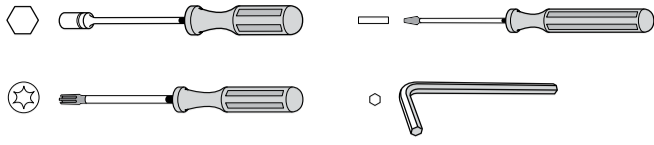
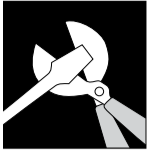
All installation is subject to local code and jurisdiction.

Consult a qualified electrician to ensure correct branch circuit conductor.

The installer must ensure that the ceiling can support the luminaire's weight. The installer must if necessary reinforce the ceiling structure by adequate means.



Louis Poulsen A/S disclaims any liability if a half mirror light bulb is used. This type of light source reflects the heat and may damage/melt parts of the



ID NUMBER: \_\_\_\_\_  
Please register ID number at [www.louispoulsen.com](http://www.louispoulsen.com) !

