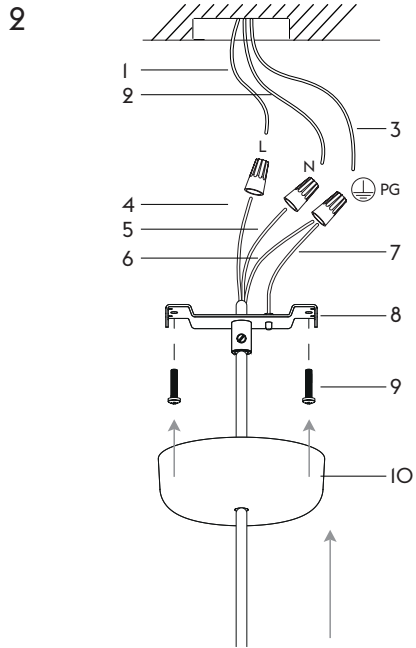
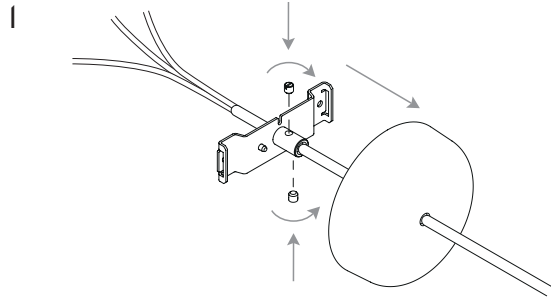


- EN Always switch off the electricity supply before cleaning. Vacuum to remove dust. Clean off any marks with a clean, moist cloth. Wipe after with dry cloth.
- FR Passer l'aspirateur pour retirer la poussière. Propre et exempte de toute marque avec un linge humide. Toujours éteindre l'électricité avant de nettoyer.
- ES Utilize el aspirador para quitar el polvo. Limpie cualquier marca con un paño húmedo. Desconecte siempre el suministro eléctrico antes de efectuar su limpieza.

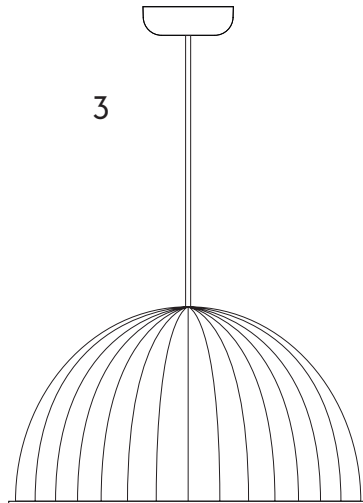
UNDER THE BELL PENDANT LAMP

— Iskos-Berlin

ASSEMBLY INSTRUCTIONS — INSTRUCTIONS DE MONTAGE —
INSTRUCCIONES DE MONTAJA



- 1 Black supply cord (L)
- 2 White supply cord (N)
- 3 Green supply cord (PG)
- 4 Black fixture cord (L)
- 5 White fixture cord (N)
- 6 Green fixture cord (PG)
- 7 Green crossbar cord (PG)
- 8 Crossbar
- 9 Mounting screws
- 10 Decorative cover



UNDER THE BELL PENDANT LAMP Ø55
IXE26 MAX 60W INCANDESCENT, TYPE A
OR 30W SBCFL
120V ~ 60HZ

INSTALLATION & OPERATING INSTRUCTIONS

CAUTION!

Before assembling your lighting fixture, refer to the section entitled ELECTRICAL CONNECTIONS. If you feel you do not have electrical wiring experience, consult a qualified licensed electrician before installing.

WARNING!

Most dwellings built before 1985 have supply wire rated 60. Some fixtures require supply wire rated for temperatures greater than 60 and are so identified on packaging and on the fixture's supply wires. Consult a qualified licensed electrician before installing.

GENERAL

1. To ensure the success of the installation, review the diagrams and instructions thoroughly before beginning.
2. All electrical connections must be in accordance with local codes, ordinances and the National Electrical Code.
3. These fixtures are intended to be connected to a standard 4" x 2-1/8" UL Listed outlet box directly supported by the building structure.
4. Before starting the installation, disconnect the power supply by turning off the circuit breaker or by removing the fuse at the power off. Using the light switch is not sufficient to prevent electrical shock.

NOTE

The safeguards and instructions appearing in this manual are not meant to cover all possible conditions and situations that may occur. It must be understood that common sense, caution, and reasonable care are factors which cannot be built into any product, these factors must be supplied by the person(s) caring for and operating the fixture.

CAUTION!

TURN OFF ELECTRICITY BEFORE PROCEEDING!

PREPARE THE FIXTURE & OUTLET BOX (See the diagram)

1. If replacing an existing fixture, disconnect and remove the old fixture. Expose the supply wiring from the outlet box. (1)
2. Attach crossbar to the outlet box using the two screws supplied with the outlet box. (8,9)
3. Feed fixture wires through crossbar. (4,5,6,8)
4. Make electrical connections. Refer to the ELECTRICAL CONNECTIONS section below.

ELECTRICAL CONNECTIONS

NOTE: Use UL listed wire connectors suitable for the size, type, and number of conductors. No loose strands or loose wires should be present. Secure all splices with UL listed electrical tape.

1. Connect the green grounding wire of the supply circuit to the green grounding screw on the cross-bar. (3,7) Leave a sufficient length of supply grounding wire for connection to the fixture grounding conductor.
2. Connect the green grounding wire of the supply to the green wire of the fixture. (3,6)
3. Connect the white supply wire to the white common lead wire of the fixture. (2,5)
4. Connect the black supply wire to the black power lead wire of the fixture. (1,4)

FINAL ASSEMBLY

1. Spread electrical splices so that the black supply lead wire is on one side of the outlet box and the common and grounding conductors are on the other. Splices should carefully be turned inward inside the outlet box.
2. Place the fixture so the outlet box and splices are completely covered by the decorative cover.
3. Fixture assembly, please refer to the drawing.
4. Insert light bulb. Refer to the lamping information supplied on the fixture.
5. Restore power.

Your Under The Bell Pendant Lamp is now ready for use.