

# MonoRail FreeJack Connector

700MOCHED\_

1.6

## VISUAL COMFORT & Co.

ARCHITECTURAL COLLECTION

### GENERAL PRODUCT INFORMATION:

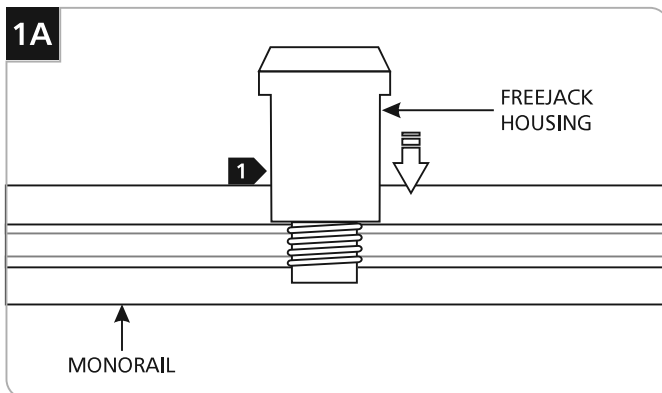


This product is suitable for indoor dry locations only.

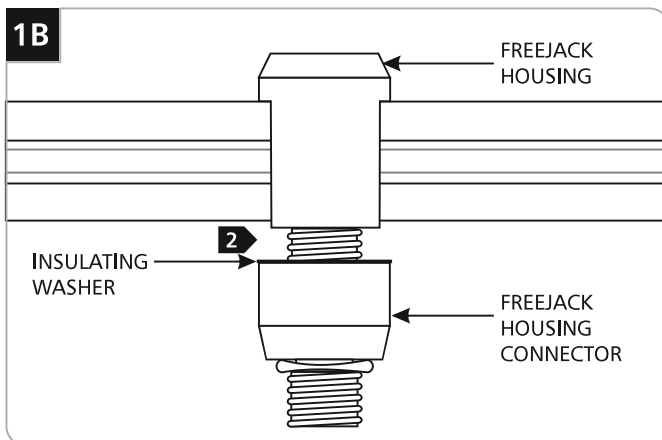
This product should be used with our MonoRail system only.



### Install the FreeJack Connector onto the MonoRail

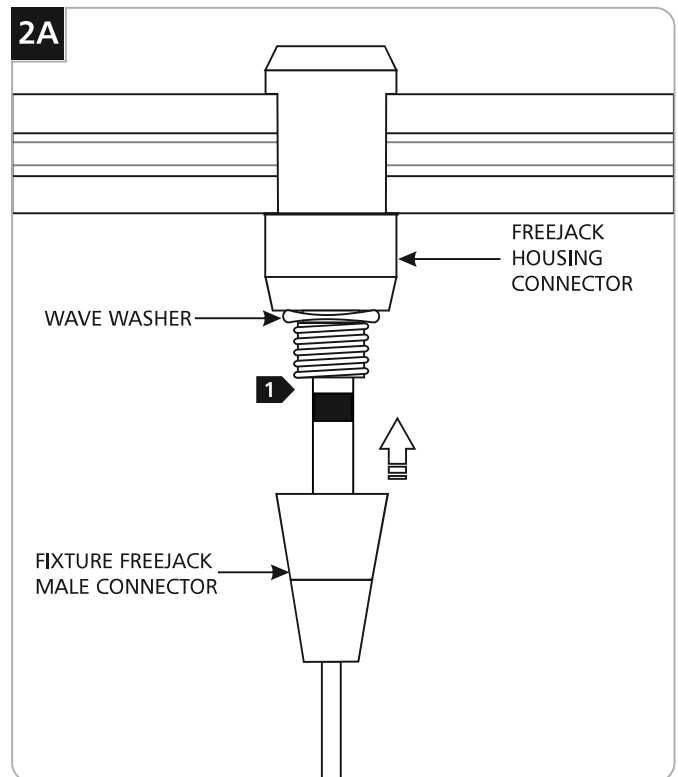


**1** From top of the MonoRail place the FreeJack housing onto the MonoRail.



**2** From bottom of the MonoRail tighten the FreeJack housing connector to the FreeJack housing.

### Connect the FreeJack Fixture to the MonoRail FreeJack Connector



**1** Push and screw the fixture FreeJack male connector all the way into the FreeJack housing connector.

**SAVE THESE INSTRUCTIONS!**