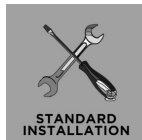


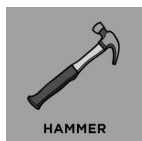
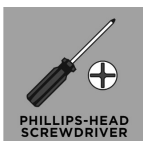
WELLFLEET SINGLE ARM CONE TASK SCNCE

CW1121

General Product Information



Suggested/Required Tools



Safety Information

CAUTION-RISK OF FIRE

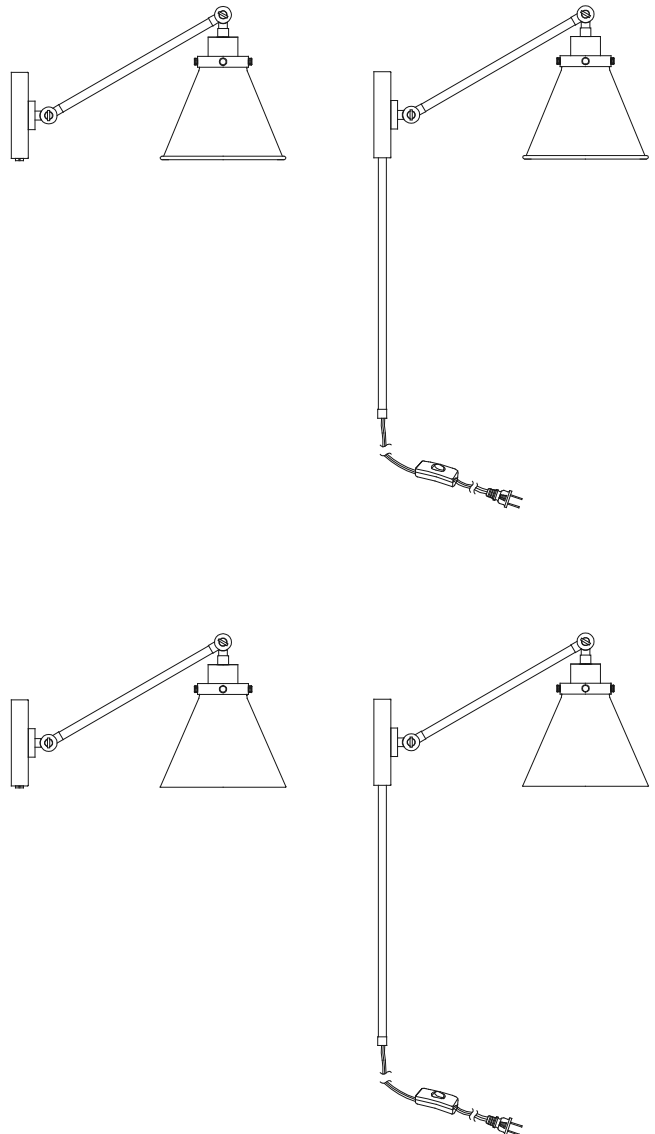
This product must be installed in accordance with the applicable installation code by a person familiar with the construction and operation of the product and the hazards involved.

USE MINIMUM 90°C SUPPLY CONDUCTORS.

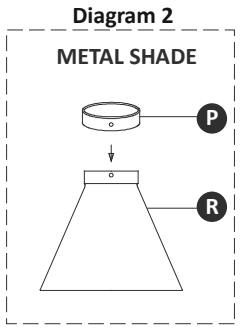
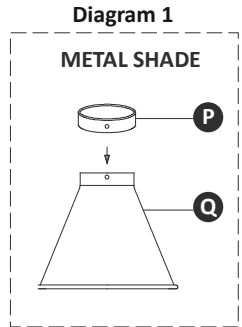
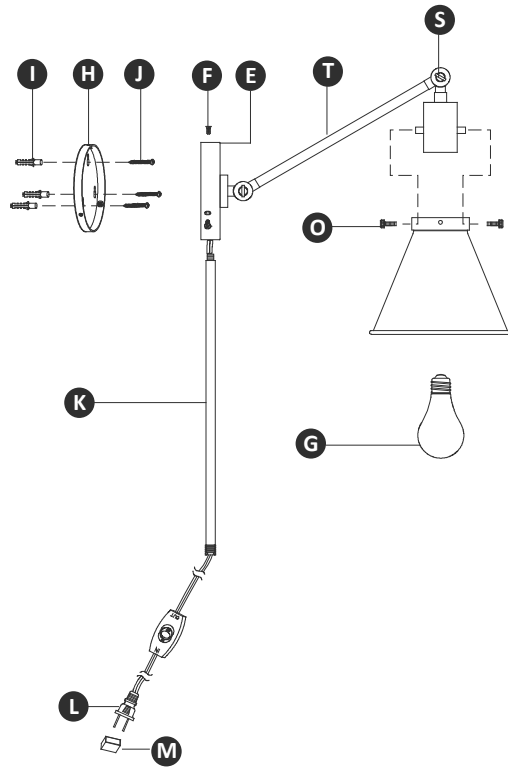


Turn off electrical current at the source before working with any lighting fixture or portable lamp.

Install and use this product in adherence with local electrical codes and regulations.



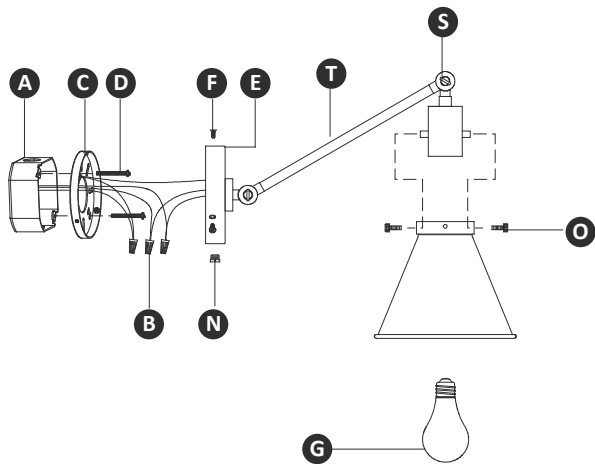
Portable Assembly



FIXTURE PARTS

- A. Junction Box (Not Included)
- B. Wire Nut Connections
- C. Hardwire Mounting Plate
- D. Mounting Screws
- E. Fixture
- F. Fixture Screws
- G. Light Bulbs (Not Included)
- H. Portable Mounting Plate
- I. Anchors
- J. Anchor Screws
- K. Cord Cover
- L. Plug
- M. Protective Cover
- N. Direct Wire Plug
- O. Thumbscrews
- P. Shade Cover
- Q. Metal Shade
- R. Glass Shade
- S. Adjustment Knobs
- T. Fixture Arm

Hardwire Assembly



INSTRUCTIONS

Option 1: Portable Assembly

I. Preparing the Fixture

1. Unbox and inspect all items included in the fixture's packaging. Carefully place all parts on a clean, soft surface.
2. Remove the fixture screws to separate the portable mounting plate from the fixture.
3. Align the portable mounting plate with the wall and mark the anchor positions. Using a drill bit slightly smaller than the anchors, drill holes at the marked locations, then tap the anchors into the holes with a hammer until they are flush with the surface.
4. Secure the anchor screws to the anchors, leaving 1/8" of the exposed thread in order to hang the fixture.
5. Secure the portable mounting plate to the fixture with the fixture screws.

II. Installing the Fixture

1. Hang the fixture to the anchor screws.
2. Thread the cord cover to the bottom of the fixture.
3. Place the shade cover onto top of the shade (see diagram 1 & 2), then secure to fixture with the thumbscrews.
4. Loosen the adjustment knobs to adjust the fixture arm and shade to desired angle, then tighten the adjustment knobs.
5. Install the bulb (not included) into the socket. Refer to the socket label for the maximum wattage rating.
6. Remove the protective cover from the plug.
7. Plug the lamp into a working electrical outlet and test its function.

Option 2: Hardwire Assembly

I. Preparing the Fixture

1. Unbox and inspect all items included in the fixture's packaging. Carefully place all parts on a clean, soft surface.
2. Remove the fixture screws to separate the portable mounting plate from the fixture.
3. Attach the hardwire mounting plate (located inside packaging) to the junction box using the provided mounting screws.
4. Remove the cord cover and the portable cord by loosening the wire nut connections.
5. Insert the direct wire plug to the bottom of the fixture.

II. Wiring the Fixture

1. Safety first! Locate the circuit breaker and switch it off to cut off the power supply to the relevant circuits to ensure there's no electricity running through the wiring.
2. In accordance with local electrical codes, connect the fixture ground wire (bare copper or silver wire) to a suitable ground. This may be a green ground screw on the mounting plate, which the ground wire should be tightly wrapped around, or a house wire (green or bare copper wire without insulation).
3. Twist the bare ends of the following pairs of wires together using a wire nut to secure a connection:
 - a. Hot fixture wire (black) and hot power line wire from the junction box (hot to hot)
 - b. Neutral fixture wire (white) and neutral power line wire from the junction box (neutral to neutral)
4. Carefully tuck all the wires behind the mounting plate into the junction box.

III. Installing the Fixture

1. Secure the hardwire mounting plate to the fixture with the fixture screws.
2. Place the shade cover onto top of the shade (see diagram 1 & 2), then secure to fixture with the thumbscrews.
3. Loosen the adjustment knobs to adjust the fixture arm and shade to desired angle, then tighten the adjustment knobs.
4. Install the bulb (not included) into the socket. Refer to the socket label for the maximum wattage rating.