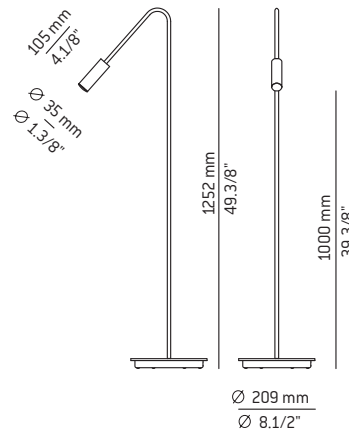


p-3538

493035382

Reading and floor lamp with cylindrical aluminium head and acrylic (PMMA) lens diffuser. Optional 15° optic lens. On/Off cord switch.

Lámpara de pie y lectura con pantallas cilíndricas de aluminio y difusores de metacrilato (PMMA). Opcionalmente se puede incorporar un kit de conversión de lente óptica de 15°. Interruptor en el cable.



WE RECOMMEND READING THE INSTRUCTIONS ENTIRELY BEFORE STARTING YOUR INSTALLATION PLEASE SAVE THESE INSTRUCTIONS SO THAT YOU CAN REFER TO THEM AT A LATER TIME

\* For indoor use only.

\* Do not use alcohol or solvents to clean the lamp.

**The light source of this luminaire is not replaceable.**

**Once the light source's lifecycle ends, you must contact the manufacturer for repairs.**

LE RECOMENDAMOS LEA LAS INSTRUCCIONES ANTES DE PROCEDER A LA INSTALACIÓN GUARDE LAS INSTRUCCIONES PARA FUTURAS REFERENCIAS

\* Únicamente para uso en interiores.

\* Para limpieza no utilizar alcohol ni disolventes.

**La fuente de luz de esta luminaria no es reemplazable.**

**Cuando la fuente de luz alcance el final de su vida, debe ponerse en contacto con el fabricante para su reparación.**



## UL 1598 ELECTRICAL INSTRUCTIONS FOR FLUSHMOUNTS, WALL SCONCES AND PENDANTS

SAVE THESE INSTRUCTIONS. MIN 90C SUPPLY CONDUCTORS. CAUTION-RISK OF FIRE. USE STATED WATT OR SMALLER. CAUTION-RISK OF SHOCK. DISCONNECT POWER BEFORE SERVICING. TO REDUCE THE RISK OF A BURN DURING RELAMPING, ALLOW THE BULB TO COOL DOWN. SUITABLE FOR DAMP LOCATION. THIS PRODUCT MUST BE INSTALLED IN ACCORDANCE WITH THE APPLICABLE INSTALLATION CODE BY A PERSON FAMILIAR WITH THE CONSTRUCTION AND OPERATION OF THE PRODUCT AND THE HAZARD INVOLVED.

**WARNING:** ALL WIRES AND WIRE NUTS USED IN THE INSTALLATION MUST BE RATED 195F (90°C). FOR INDOOR USE ONLY. THESE PRODUCT MUST BE INSTALLED BY A QUALIFIED ELECTRICIAN.

### Assembly instructions / Instrucciones

1 - On/Off cord switch.

Figure 1.

1 - Interruptor en el cable.

Figura 1.

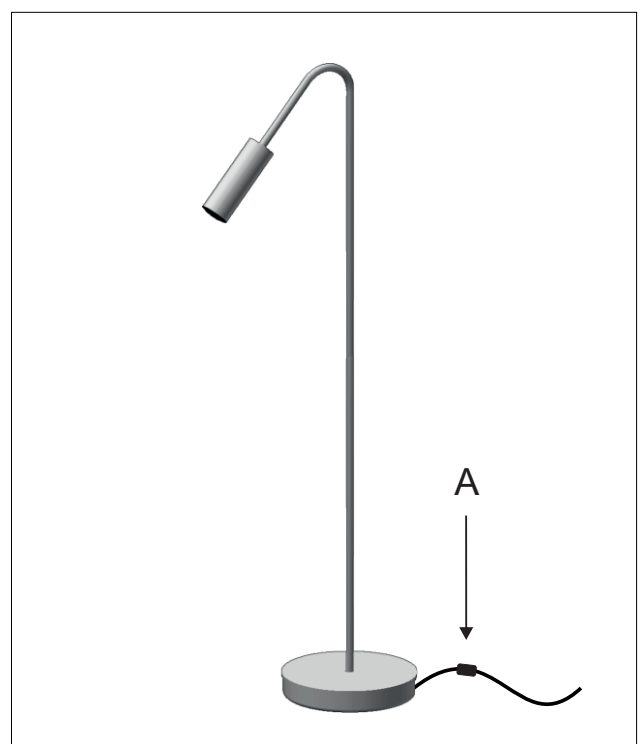


Figure 1