

INSTALLATION INSTRUCTION

Multiple Spots with Multi Chip LED Recessed Housing

MT-4LD116N, MT-4LD216N, MT-4LD316N, MT-4LD416N, MT-4LD226N

WAC LIGHTING

Responsible Lighting®

IMPORTANT SAFETY INSTRUCTIONS

1. Read all instructions before installing.
2. System is intended for installation by a qualified electrician in accordance with the National Electrical Code and local regulations.
3. Go to the main fuse box, or circuit breaker. Place the main power switch in the "OFF" position and unscrew the fuse(s) or switch "OFF" the circuit breaker switch(es) that control the power to the fixture or room that you are working on.
4. Place the wall switch in the "OFF" position.

INSTRUCTIONS DE SÉCURITÉ IMPORTANTES

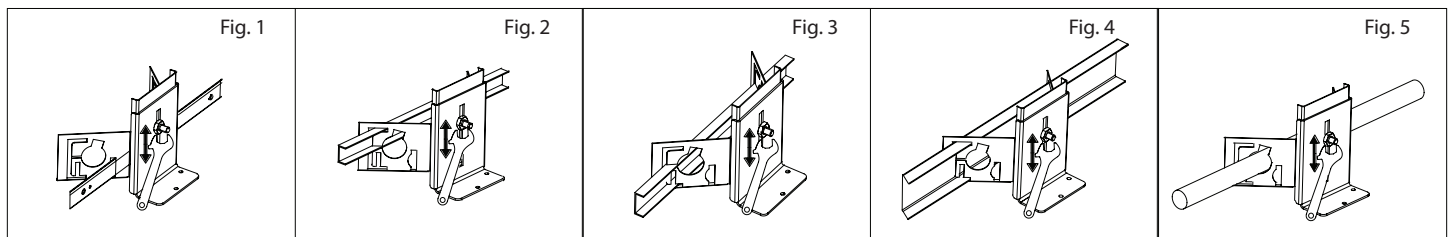
1. Lisez toutes les instructions avant d'installer.
2. Système est destiné à être installé par un électricien qualifié en conformité avec le code national de l'électricité et les règlements locaux.
3. Accédez au panneau central de disjoncteurs ou de fusibles de votre demeure et placez l'interrupteur principal en position d'arrêt («OFF»).
4. Placez l'interrupteur mural en position d'arrêt («OFF»).

OVERVIEW:

Housing is new construction and requires a trim or invisible trim.

MOUNTING:

1. Adjust the housing to proper height by loosening the wing nut on both adjustable brackets and set the basic plate so that the bottom edge of the frame is flush to the finished ceiling (**Fig.1, Fig.2, Fig.3, Fig.4** and **Fig.5**). Tighten the wing nut.



a. With HANGER

b. With 1/2 CHANNEL (not included)

c. With 3/4 CHANNEL (not included)

d. With 1 1/2 CHANNEL (not included)

e. With ROUND CHANNEL (not included)

2. Install the mounting frame using two hanger bars. Bars are notched on the ends to fit over "T" bars in suspended ceilings. Hanger bars include a captive mounting "screw-nail" for ease of installation (**Fig.6**). Align the bottom of the hanger bar with the bottom of the wood joist. Secure the "screw-nail" on each end by screwdriver (**Fig. A**), or by hammer (**Fig. B**).
3. Pinch the adjustable bracket, slide the fixture along hanger bars into desired location (**Fig. C**).
4. The junction box is suitable for branch wiring and has trade size knockouts and integral non-metallic sheathed cable connectors.

Fig. A

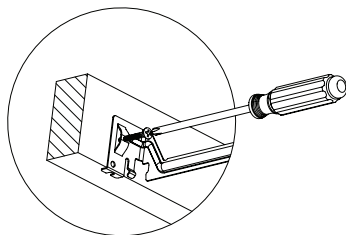


Fig. B

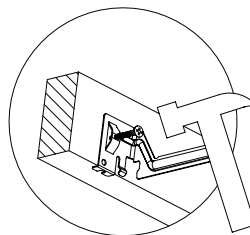
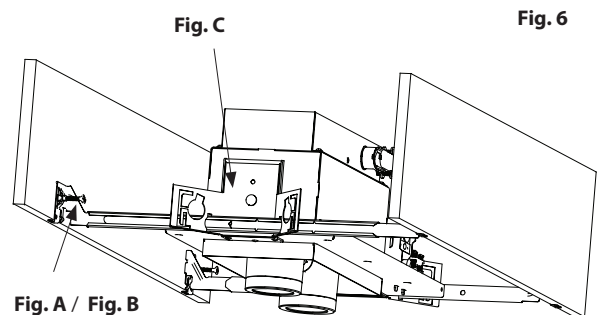
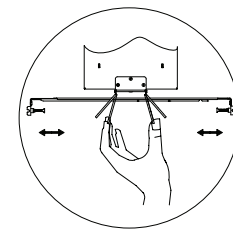


Fig. C



WAC Lighting
www.waclighting.com
Phone (800) 526.2588 • Fax (800) 526.2585

Headquarters/Eastern Distribution Center
44 Harbor Park Drive • Port Washington, NY 11050
Phone (516) 515.5000 • Fax (516) 515.5050

Western Distribution Center
1750 Archibald Ave • Ontario, CA 91761
Phone (800) 526.2588 • Fax (800) 526.2585

INSTALLATION INSTRUCTION

Multiple Spots with Multi Chip LED Recessed Housing

MT-4LD116N, MT-4LD216N, MT-4LD316N, MT-4LD416N, MT-4LD226N

WAC LIGHTING

Responsible Lighting®

WIRING

1. Remove spring latched junction box door and connect fixture wires to building wires; insert each supply wire into appropriate junction box connector. Connect black fixture wire to hot, white fixture wire to neutral and green fixture wire to ground (**Fig. 7**).
2. Use push-in type wire connectors supplied or wire nuts. Place all wiring and connectors back in wiring box and replace junction box door.
3. When installing in drywall, cut a hole in the drywall (see the following the figure for cut out size). After finished, if necessary, adjust the fixture for ceiling thickness by loosening the screws that attach the square housing to the plaster frame (**Fig. 8**).

Fig. 7

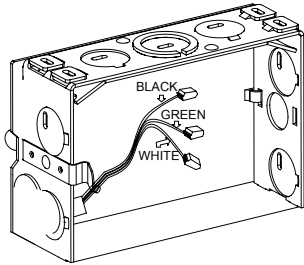
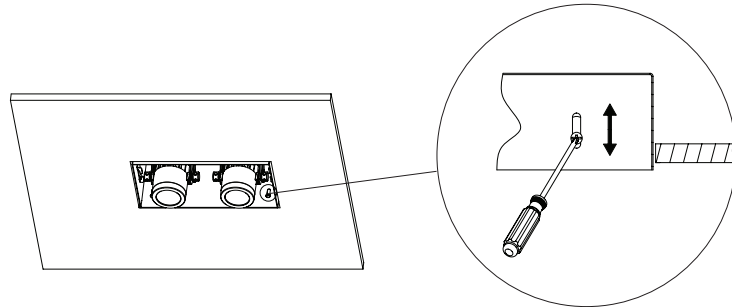


Fig. 8



Use template supplied to make appropriate cutout for trim installation.

MODEL	TRIM	CUTOUT	INVISIBLE TRIM™	CUTOUT
MT-4LD116N*	MT-4LD116T	5 1/8" X 5 1/8"	MT-4LD116TL	5 1/8" X 5 1/8"
MT-4LD216N*	MT-4LD216T	9 3/4" X 5 1/8"	MT-4LD216TL	9 3/4" X 5 1/8"
MT-4LD316N*	MT-4LD316T	14 1/2" X 5 1/8"	MT-4LD316TL	14 1/2" X 5 1/8"
MT-4LD416N*	MT-4LD416T	19 1/8" X 5 1/8"	MT-4LD416TL	19 1/8" X 5 1/8"
MT-4LD226N*	MT-4LD226T	9 3/4" X 9 3/4"	MT-4LD226TL	9 3/4" X 9 3/4"

TO INSTALL TRIM

1. Raise the trim to the housing and attach two sides by securing the tension spring in the anchor cleat (as **Fig.9, Fig.10**). Push the trim flush up against the ceiling (**Fig.11**).

Fig. 9

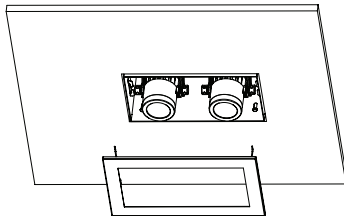


Fig. 10

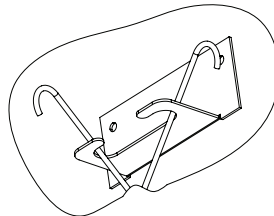
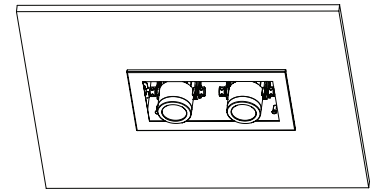


Fig. 11



INSTALLATION INSTRUCTION

Multiple Spots with Multi Chip LED Recessed Housing

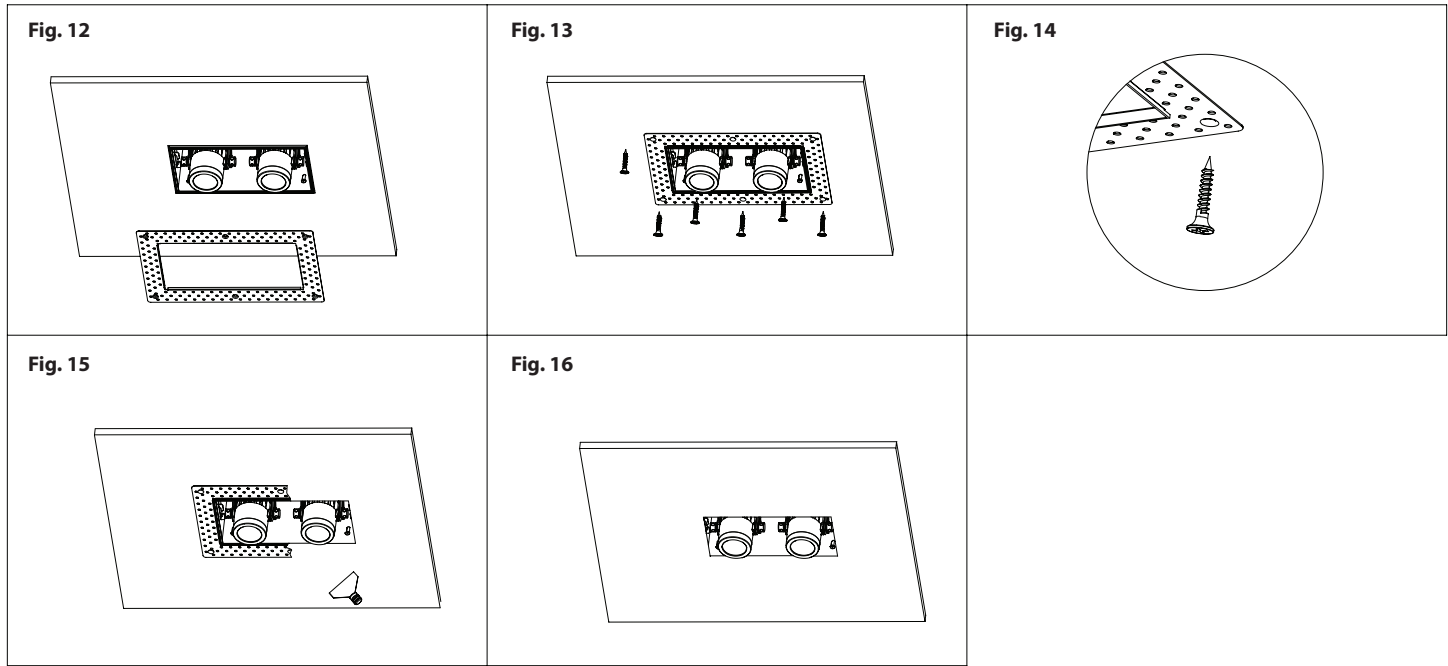
MT-4LD116N, MT-4LD216N, MT-4LD316N, MT-4LD416N, MT-4LD226N

WAC LIGHTING

Responsible Lighting®

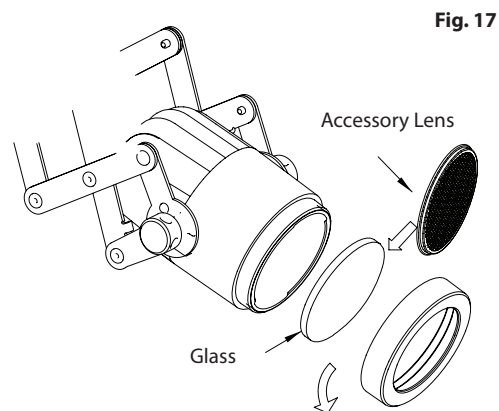
INVISIBLE TRIM™ INSTALLATION

1. Raise the screen panel to ceiling opening and secure with screws supplied (**Fig.12**, **Fig.13** and **Fig.14**).
2. Apply plaster over the screen panel and sand surface when dry for a finished look (**Fig.15** and **Fig.16**).



ALTERNATE ACCESSORY LENSES

1. Twist the lens ring counter clockwise to remove (hold with a lens or an accessory lens).
2. Replace the glass lens or other accessory lens (**Fig.17**).



WAC Lighting
www.waclighting.com
Phone (800) 526.2588 • Fax (800) 526.2585

Headquarters/Eastern Distribution Center
44 Harbor Park Drive • Port Washington, NY 11050
Phone (516) 515.5000 • Fax (516) 515.5050

Western Distribution Center
1750 Archibald Ave • Ontario, CA 91761
Phone (800) 526.2588 • Fax (800) 526.2585