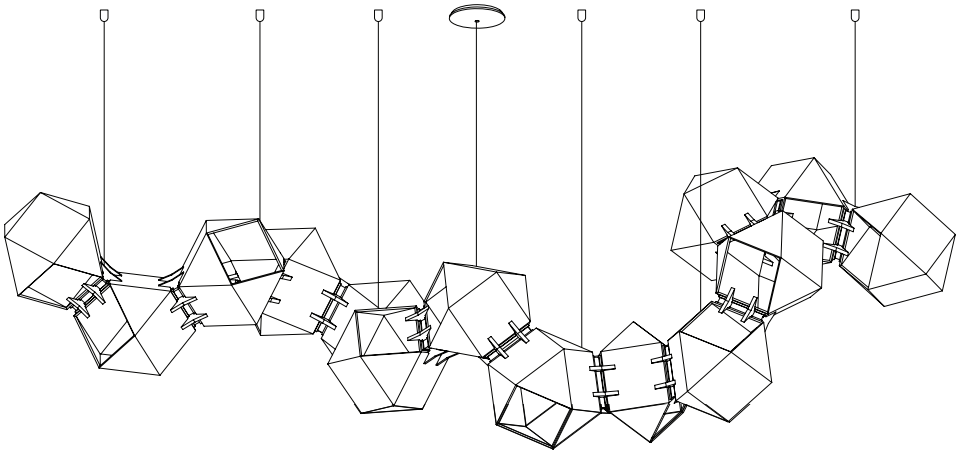




FILE#: E356487



WELLES Glass

CHANDELIER

Installation Guide

- Suspended mounted only.
- Certified electrician recommended for electrical installation.
- Minimum 2 people recommended for installation.
- Terminal Block not included. Installation may require advice from a qualified person.
- Junction box rated for minimum of 100lbs or structural blocking required to support fixture.
- Structural blocking required at monopoint locations, adequate drywall plugs may be substituted.
- For all LED fixtures, use only with class 2 power unit.
- The light source contained in this luminaire shall only be replaced by the manufacturer or his service agent or a similar qualified person. Contact manufacturer for service.

***IMPORTANT: Please provide email confirmation that your order and its related components have been received in their entirety and in good condition. Failure to do so within 7 days of delivery will waive all product warranties.**

GABRIEL SCOTT

EST 2012



Provided Supplies:

- Welles Glass volumes, connected in pairs
- Hanging Template
- Male monopoints
- Provided bulbs (Incandescent fixtures only)
- Universal T-bar
- Installation Screws
- LED Driver
- Spare LED chip

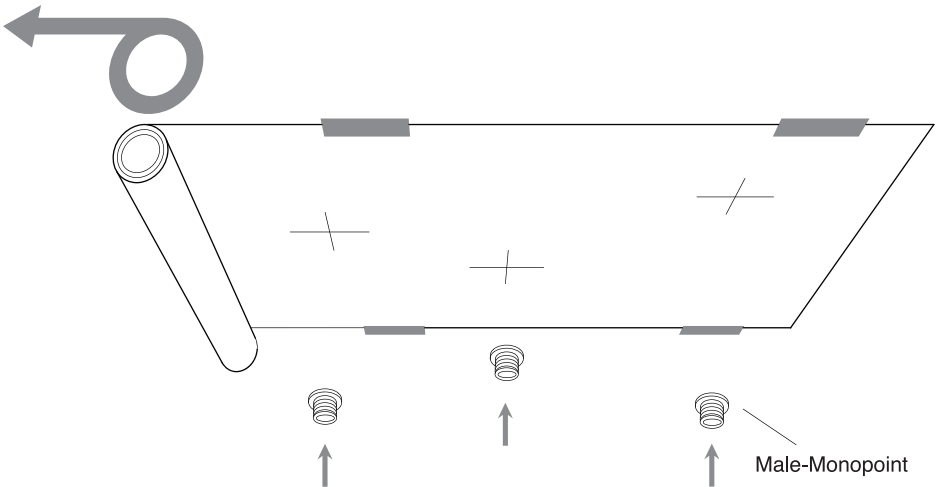
Required Tools:

- Screwdriver
- Drywall anchor suitable for 25lbs. on ceiling mount
- 4x 2-pole Wiring Terminals, screw or screwless, 12-18AWG (1.0-2.5mm²), rated for 600V, 15A - EX: WAGO 222-412
- Requires LED driver; Input: Local Line Voltage, Output 12Vdc SELV, 5A, Max 60 Watt, Class 2 LED Driver.

STEP
1

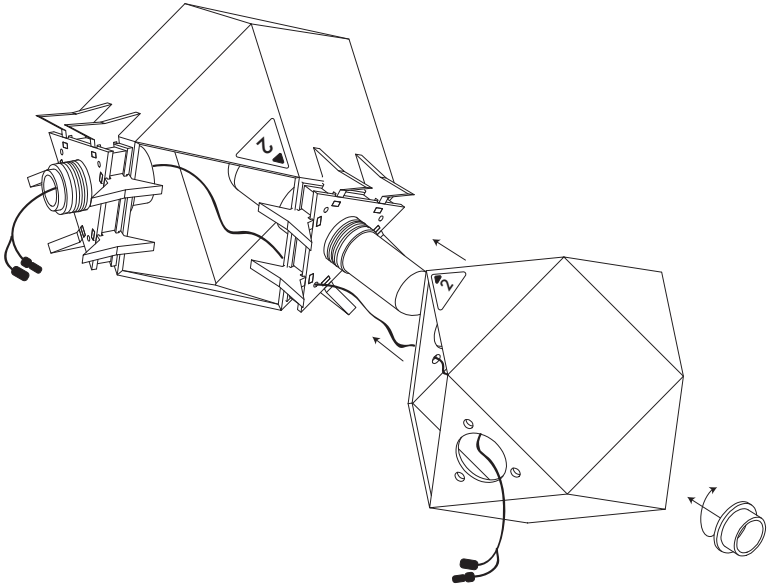
Tape provided 1:1 printed template to ceiling at desired location and install all male monopoints at the crosses indicated on the template.

Note: Each anchor point should be capable of supporting 25 lbs and therefore adequate blocking or toggle bolts are required for proper support at the location of each male monopoint.



STEP
2

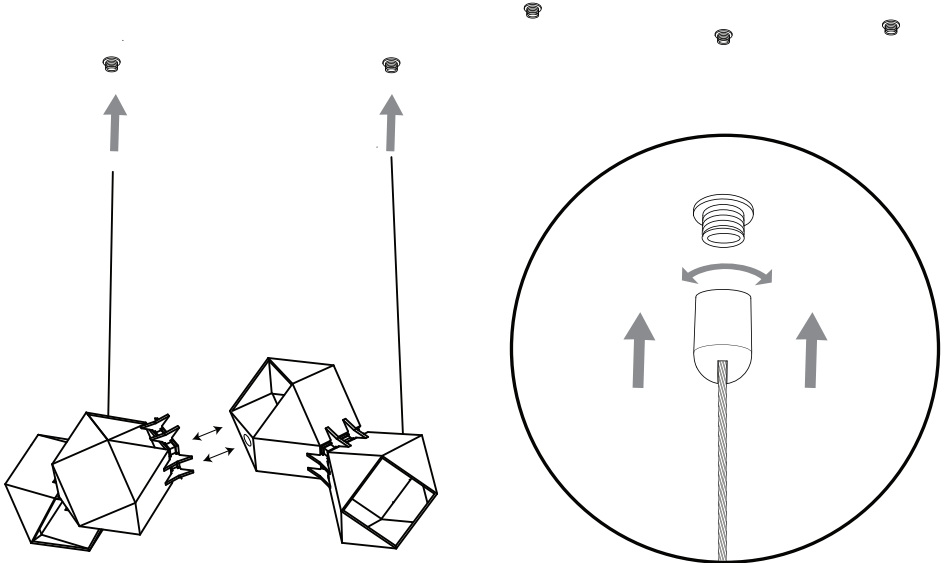
Assemble the Welles Glass volumes to form pairs by matching alignment stickers. Thread the retaining ring over the bulb assembly to secure the glass and remove alignment stickers only once assembly is complete.



STEP
3

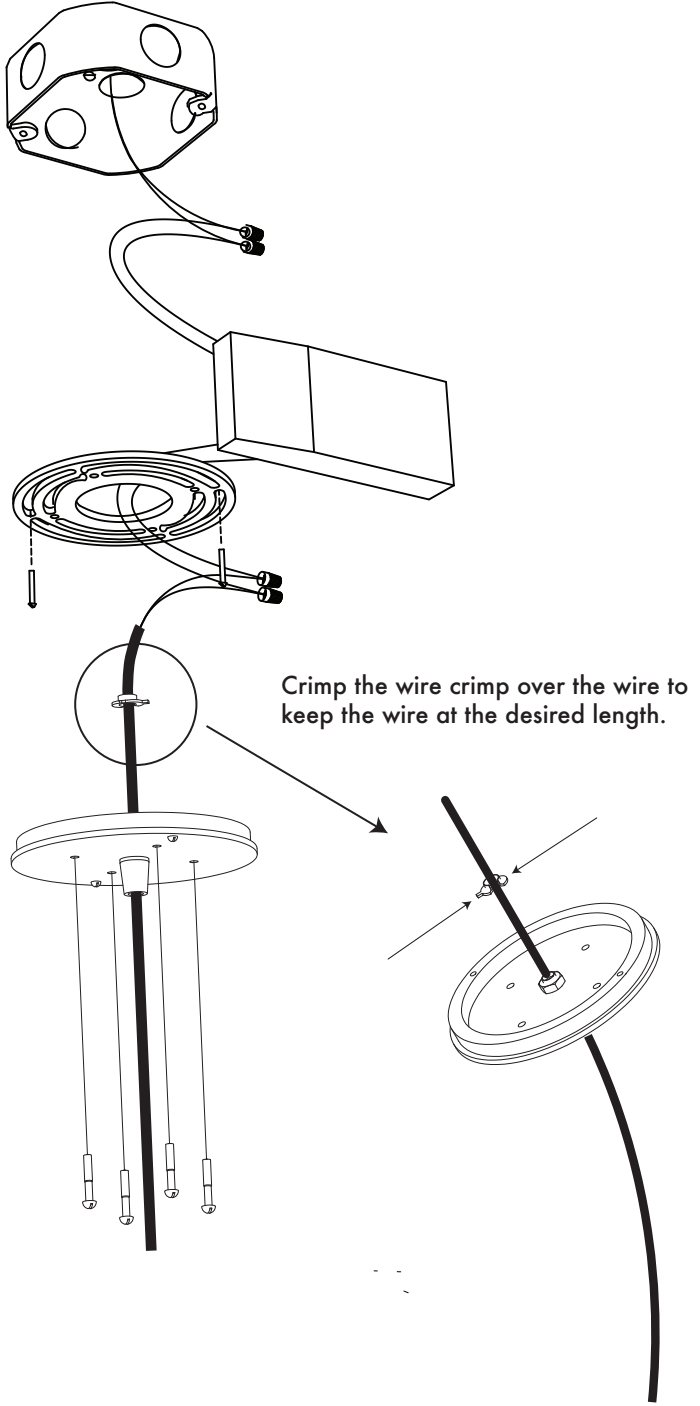
Hang two pairs from the ceiling by screwing the female-monopoint over the male-monopoints. Once hanging from the ceiling, connect red wire disconnect terminals between the two pairs. Align number labels then thread the glass retaining ring over the dead connection to connect the two pairs. This will form a set of 4.

Repeat steps 2 and 3 until the entire fixture is fully assembled.



STEP
4

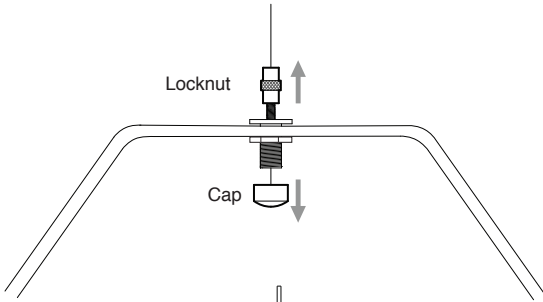
Using wire terminals connect the LED driver to the Welles fixture, on Gabriel-Scott fixtures the black wire(+) is positive and the white wire(-) is neutral. Next, again using the terminals, connect the LED driver to the power supply. Finally, attach the universal T-bar and screw in the canopy with the provided screws.



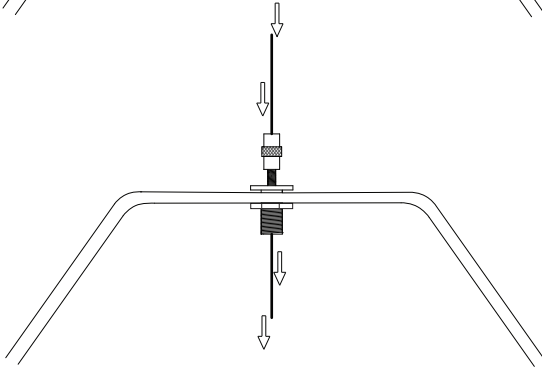
Aircraft cable adjustment instructions:

In order to adjust each of the support cables, start at one end of the fixture, and proceed with the following steps:

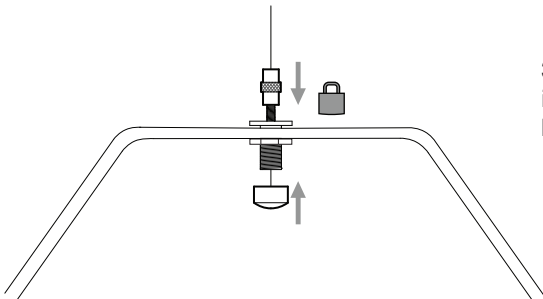
*****IMPORTANT:** Fixture is to be properly supported until final step is complete.



- 1)** Loosen locknut from cable-gripper, and remove cap from interior of cube.



- 2)** Start feeding cable to raise fixture to desired height.



- 3)** Very tightly secure locknut back in place, and cut excess cable before reattaching bottom cap.



e: info@GabrielScott.com

t: (646) 783-3770