

INSTALLATION INSTRUCTIONS

479 – LED Wall Sconce

WS-47919/WS-47925

MODERN FORMS

CAUTION: To prevent electrical shock, ensure electricity has been turned off at the circuit breaker before beginning.

- Read all instructions before installing.
- System is intended for installation by a licensed electrician in accordance with the National Electrical Code (NEC) and local regulations.
- When handling the fixture, do not apply pressure to the LEDs. Hold the fixture by the base only.
- Retain installation instructions for future maintenance reference.

WARNING: All parts must be used as indicated in these instructions. This product is designed for use only with the supplied parts and/or accessories designated for use by Modern Forms. Substitution of parts or accessories not designated for use with this product by Modern Forms could result in personal injury or property damage, and will void the warranty. Contact an authorized dealer or the manufacturer if any parts are damaged or missing.

MAINTENANCE NOTE: Coastal conditions may cause mineral and residue build-up on the fixture. We recommend that customers in coastal areas clean all external surfaces of the fixture once every two weeks with a wet cloth.

MISE EN GARDE: Pour éviter tout choc électrique, assurez-vous que le disjoncteur soit mis hors tension avant de commencer.

- Lisez toutes les instructions avant l'installation.
- Le système doit être installé par un électricien licencié conformément au code national de l'électricité (NEC), et également aux règlements locaux.
- Lors de la manipulation du luminaire, n'appuyez pas sur les LED. Tenez-le uniquement par la base.

ATTENTION: Toutes les pièces doivent être utilisées comme indiqué dans ces instructions. Ce produit est conçu pour être utilisé seulement avec les pièces et/ou accessoires fournis pour être utilisés avec les produits Modern Forms. Remplacer des pièces ou accessoires non conçus pour ce produit Modern Forms pourrait causer des dommages corporels ou matériels et pourrait également causer l'annulation de la garantie. Veuillez contacter un revendeur autorisé ou le fabricant si des pièces manquent ou sont endommagées.

NOTE D'ENTRETIEN: Les conditions côtières peut causer une accumulation de minéraux et de résidu sur le luminaire. Nous recommandons aux clients qui résident dans les zones côtières de nettoyer toutes les surfaces externes du luminaire une fois toutes les deux semaines avec un chiffon humide.

HARDWARE

A



Wire Connector
Qty: 3pcs+1 Extra

B



Mounting Screw
Qty: 2pcs+1 Extra

C



Silicon Gasket
Qty: 2pcs

D



Plastic Anchor
Qty: 3pcs+1 Extra

E



Wood Screw
Qty: 4pcs+1 Extra

F



Decorative Plate
Qty: 1pc

G



Assembly Screw
Qty: 2pcs+1 Extra

H



Slim Junction Box
Qty: 1 pc

I



Tapping Screw
Qty: 2pcs+1 Extra

Silicon Ring

modernforms.com
Phone (800) 526.2588
Fax (800) 526.2585

Headquarters/Eastern Distribution Center
44 Harbor Park Drive
Port Washington, NY 11050

Central Distribution Center
1600 Distribution Ct
Lithia Springs, GA 30122

Western Distribution Center
1750 Archibald Avenue
Ontario, CA 91760



INSTALLATION INSTRUCTIONS

479 – LED Wall Sconce

WS-47919/WS-47925

MODERN FORMS

Fig.1

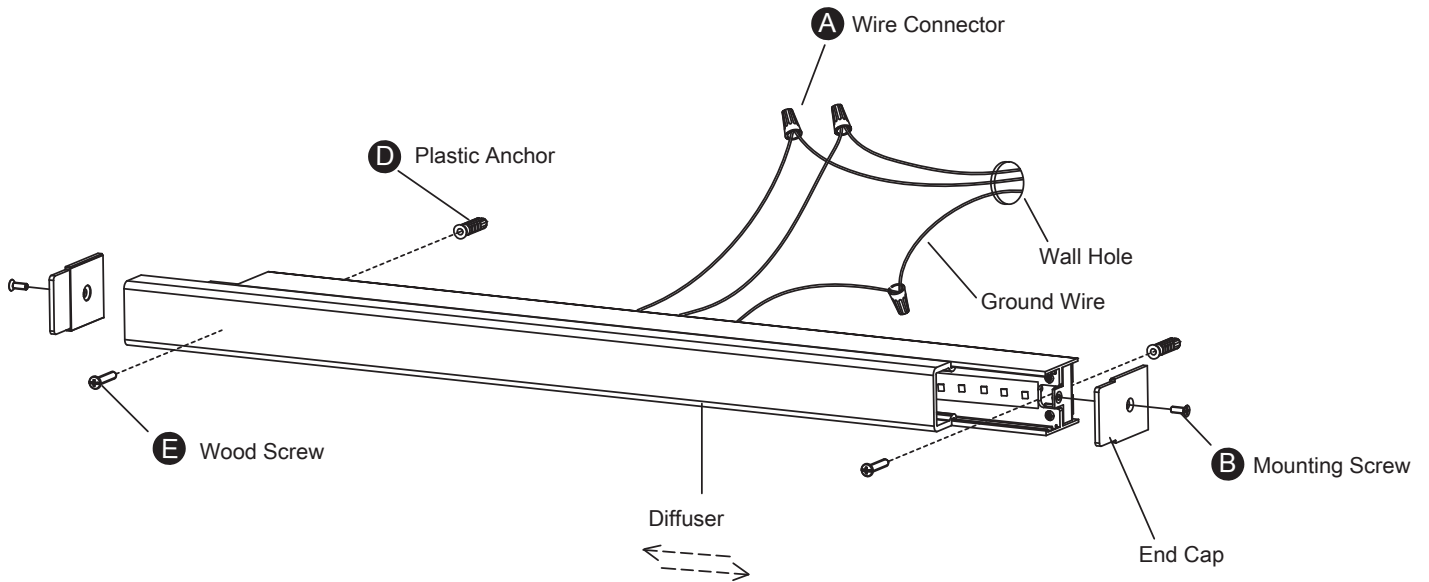
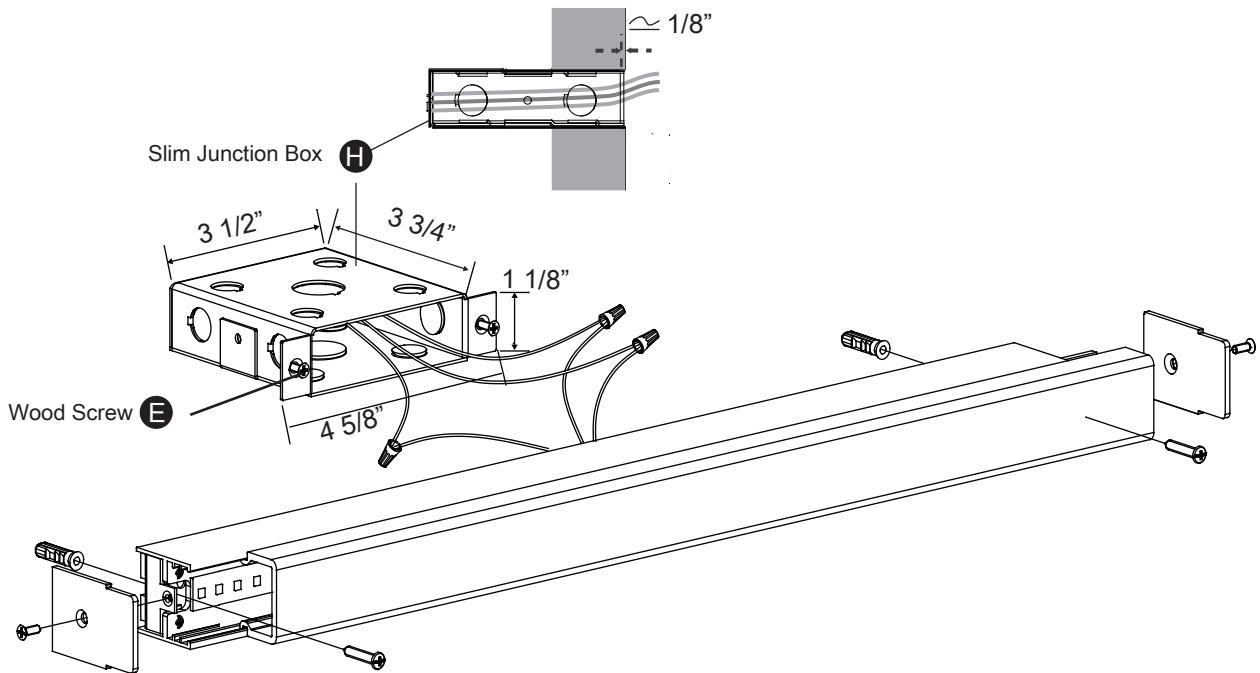


Fig.2



modernforms.com
Phone (800) 526.2588
Fax (800) 526.2585

Headquarters/Eastern Distribution Center
44 Harbor Park Drive
Port Washington, NY 11050

Central Distribution Center
1600 Distribution Ct
Lithia Springs, GA 30122

Western Distribution Center
1750 Archibald Avenue
Ontario, CA 91760



Fig.3

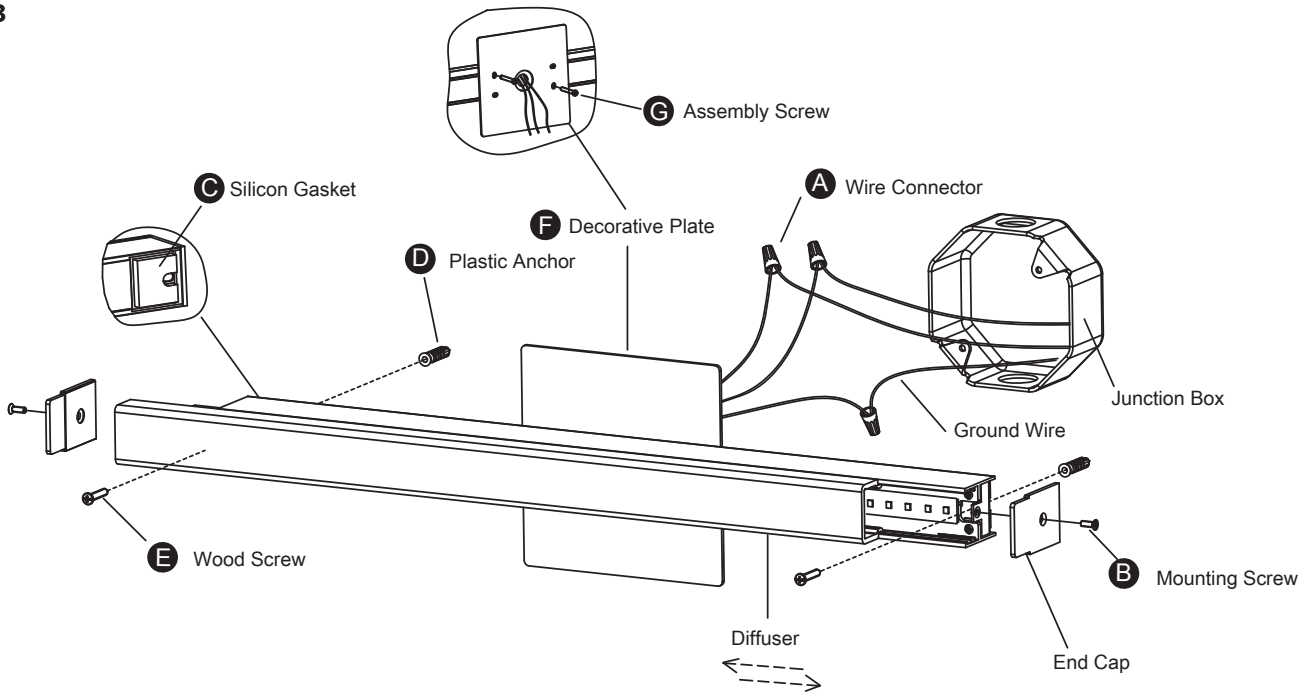
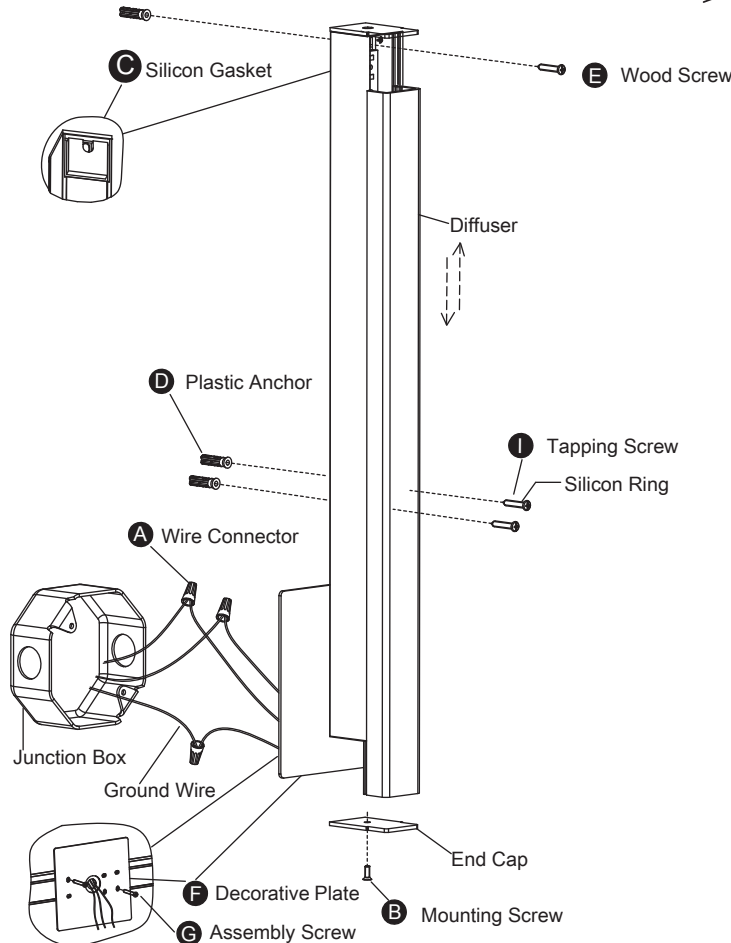


Fig.4



modernforms.com
 Phone (800) 526.2588
 Fax (800) 526.2585

Headquarters/Eastern Distribution Center
 44 Harbor Park Drive
 Port Washington, NY 11050

Central Distribution Center
 1600 Distribution Ct
 Lithia Springs, GA 30122

Western Distribution Center
 1750 Archibald Avenue
 Ontario, CA 91760



INSTALLATION INSTRUCTIONS

479 – LED Wall Sconce

WS-47919/WS-47925

MODERN FORMS

PREPARATION

1. Shut off the power at the circuit breaker and remove existing fixture, including the crossbar.
2. Carefully unpack your new fixture and lay out all the parts on a clear area. Be careful not to lose any small parts necessary for installation.

INSTALLATION

MOUNT WITHOUT JUNCTION BOX (Fig. 1)

1. Drill a fixture mounting hole according to (installation location), insert the plastic anchor (D).
2. Remove the mounting screw (B) and the end cap from the fixture.
3. Drill a small access hole in the wall behind the fixture and pull the house wires through the wall.
4. Connect the fixture's wires to house wires as shown in Fig.4, making sure that all wire connectors (A) are secured. If your outlet box has a green or bare copper ground wire, connect the fixture's ground wire to it. Otherwise, tuck the fixture's ground wire directly to the fixture. After wires are connected, tuck them carefully inside the wall hole.
5. Slide diffuser slightly out of the way to review the plastic anchor location on the back, then fasten the fixture to the wall using wood screw (E).
6. Secure the end cap to the fixture using mounting screw (B) to seal the diffuser.

MOUNT ON THE SLIM JUNCTION BOX (Fig. 2)

1. Replace or install newly the slim junction as foundation to enclose all the wiring per code. Use the two wood screws (E) provided to secure the slim junction box (H) on wall properly. Note: the junction box must be recessed about 1/8" into the surface of your wall.
2. Follow step 2 to 6 according to "MOUNT WITHOUT JUNCTION BOX". Note: no need to drill a small access hole in the wall

MOUNT ON THE JUNCTION BOX (Fig. 2)

1. Secure the assembly screw (G) and decorative plate (F) to the fixture, then replace the existing silicon gasket with the supplied silicon gasket (C).
2. Drill a fixture mounting hole according to (installation location), insert the plastic anchor (D).
3. Remove the mounting screw (B) and the end cap from the fixture.
4. Connect the fixture's wires to house wires as shown in Fig.4, making sure that all wire connectors (A) are secured. If your outlet box has a green or bare copper ground wire, connect the fixture's ground wire to it. Otherwise, tuck the fixture's ground wire directly to the fixture. After wires are connected, tuck them carefully inside the junction box.
5. Slide diffuser slightly out of the way to review the plastic anchor location on the back, then fasten the fixture to the wall using wood screw (E), make sure to align the decorative plate to adequately cover the junction box wall opening.
6. Secure the end cap to the fixture using mounting screw (B) to seal the diffuser.

MOUNT VERTICALLY ON THE JUNCTION BOX (Fig. 4)

1. Follow step 1 to 6 according to "MOUNT ON THE JUNCTION BOX". Note: Use one more plastic anchor (D) and one wood screw (E) and two extra tapping screws (I).

Fig.1/2/3 Installation Location

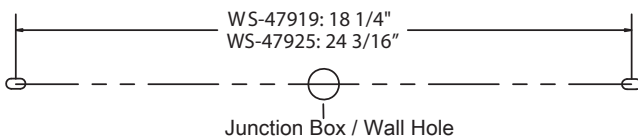


Fig.4 Installation Location

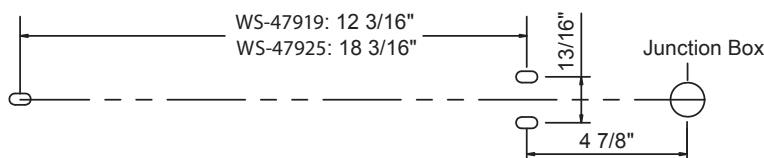


Fig.5 Wiring



Fixture Wires Black or Smooth	House Wires Black (Hot)
Fixture Wires White or Ribbed	House Wires White (Neutral)
Fixture Wires Bare wire (Ground)	House Wires Green or Bare Copper (Ground)

modernforms.com
Phone (800) 526.2588
Fax (800) 526.2585

Headquarters/Eastern Distribution Center
44 Harbor Park Drive
Port Washington, NY 11050

Central Distribution Center
1600 Distribution Ct
Lithia Springs, GA 30122

Western Distribution Center
1750 Archibald Avenue
Ontario, CA 91760



INSTALLATION INSTRUCTIONS

479 – LED Wall Sconce

WS-47932/WS-47934/WS-47937

WS-47940/WS-47949/WS-47961

MODERN FORMS

CAUTION: To prevent electrical shock, ensure electricity has been turned off at the circuit breaker before beginning.

- Read all instructions before installing.
- System is intended for installation by a licensed electrician in accordance with the National Electrical Code (NEC) and local regulations.
- When handling the fixture, do not apply pressure to the LEDs. Hold the fixture by the base only.
- Retain installation instructions for future maintenance reference.

WARNING: All parts must be used as indicated in these instructions. This product is designed for use only with the supplied parts and/or accessories designated for use by dweLED. Substitution of parts or accessories not designated for use with this product by dweLED could result in personal injury or property damage, and will void the warranty. Contact an authorized dealer or the manufacturer if any parts are damaged or missing.

MAINTENANCE NOTE: Coastal conditions may cause mineral and residue build-up on the fixture. We recommend that customers in coastal areas clean all external surfaces of the fixture once every two weeks with a wet cloth.

MISE EN GARDE: Pour éviter tout choc électrique, assurez-vous que le disjoncteur soit mis hors tension avant de commencer.

- Lisez toutes les instructions avant l'installation.
- Le système doit être installé par un électricien licencié conformément au code national de l'électricité (NEC), et également aux règlements locaux.
- Lors de la manipulation du luminaire, n'appuyez pas sur les LED. Tenez-le uniquement par la base.

ATTENTION: Toutes les pièces doivent être utilisées comme indiqué dans ces instructions. Ce produit est conçu pour être utilisé seulement avec les pièces et/ou accessoires fournis pour être utilisés avec les produits dweLED. Remplacer des pièces ou accessoires non conçus pour ce produit dweLED pourrait causer des dommages corporels ou matériels et pourrait également causer l'annulation de la garantie. Veuillez contacter un revendeur autorisé ou le fabricant si des pièces manquent ou sont endommagées.

NOTE D'ENTRETIEN: Les conditions côtières peut causer une accumulation de minéraux et de résidus sur le luminaire. Nous recommandons aux clients qui résident dans les zones côtières de nettoyer toutes les surfaces externes du luminaire une fois toutes les deux semaines avec un chiffon humide.

HARDWARE

A



Wire Connector
Qty: 3pcs+1 Extra

B



Mounting Screw
Qty: 2pcs+1 Extra

C



Silicon Gasket
Qty: 2pcs

D



Plastic Anchor
Qty: 2pcs+1 Extra

E



Wood Screw
Qty: 4pcs+1 Extra

F



Decorative Plate
Qty: 1pc

G



Assembly Screw
Qty: 2pcs+1 Extra

H



Slim Junction Box
Qty: 1 pc

modernforms.com
Phone (800) 526.2588
Fax (800) 526.2585

Headquarters/Eastern Distribution Center
44 Harbor Park Drive
Port Washington, NY 11050

Central Distribution Center
1600 Distribution Ct
Lithia Springs, GA 30122

Western Distribution Center
1750 Archibald Avenue
Ontario, CA 91760



INSTALLATION INSTRUCTIONS

479 – LED Wall Sconce

WS-47932/WS-47934/WS-47937

WS-47940/WS-47949/WS-47961

MODERN FORMS

Fig.1

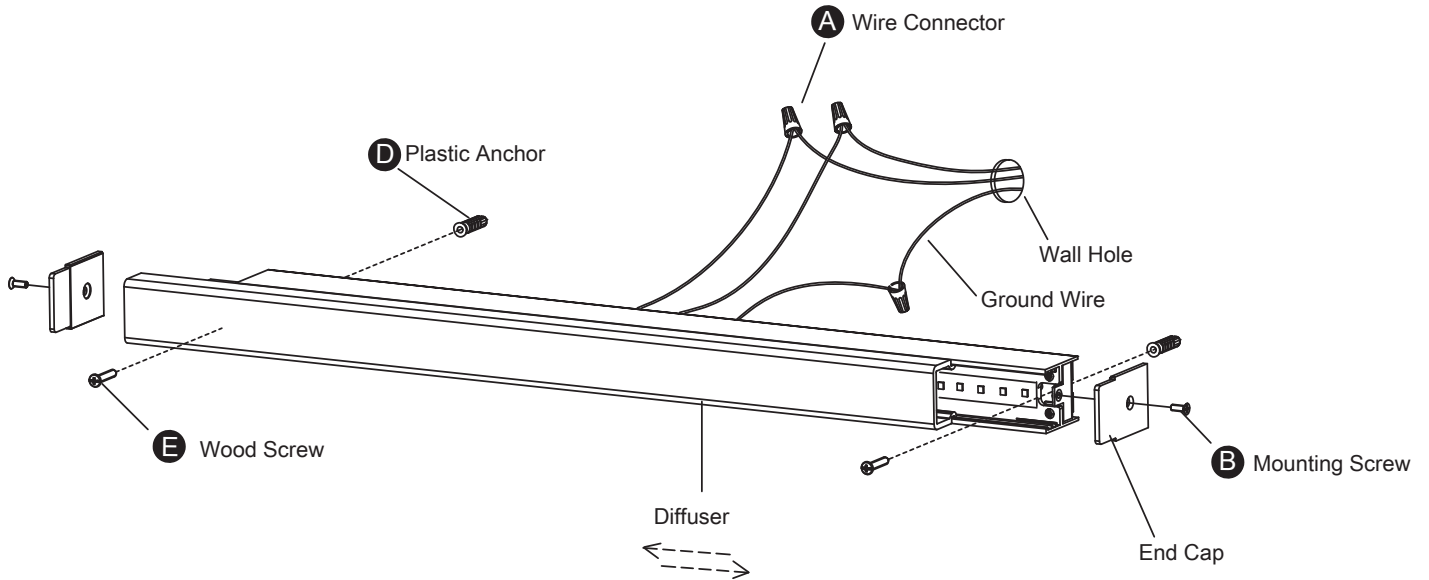
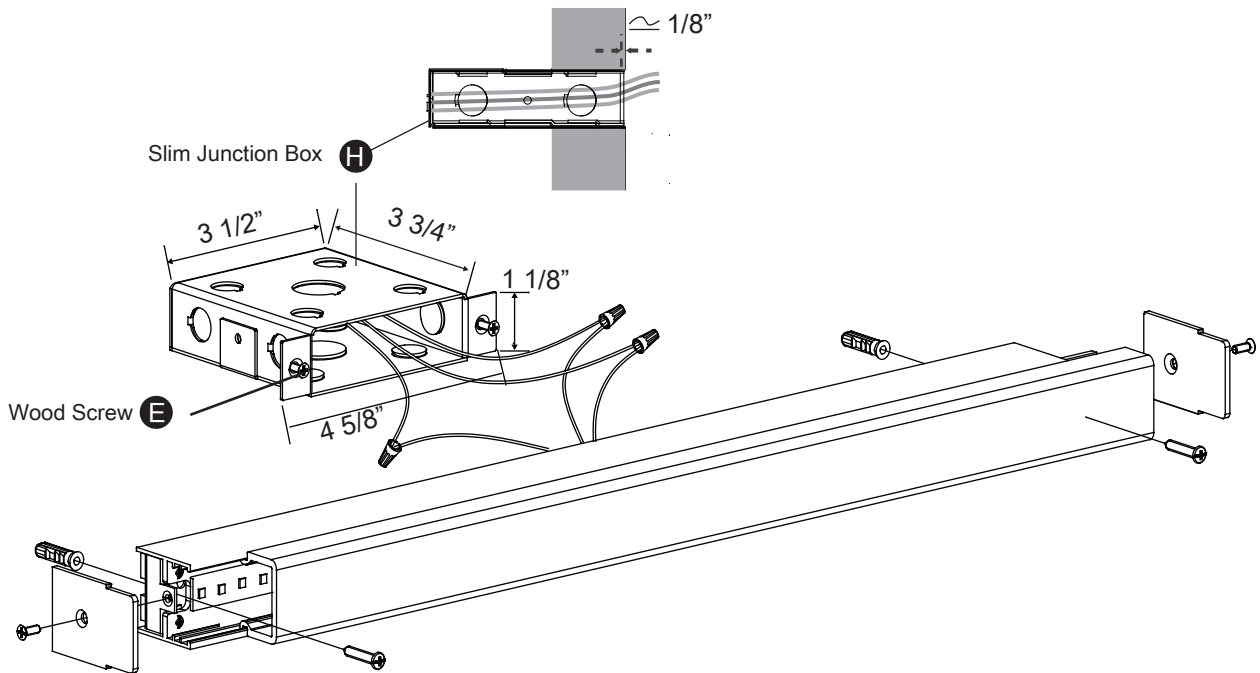


Fig.2



modernforms.com
Phone (800) 526.2588
Fax (800) 526.2585

Headquarters/Eastern Distribution Center
44 Harbor Park Drive
Port Washington, NY 11050

Central Distribution Center
1600 Distribution Ct
Lithia Springs, GA 30122

Western Distribution Center
1750 Archibald Avenue
Ontario, CA 91760



INSTALLATION INSTRUCTIONS

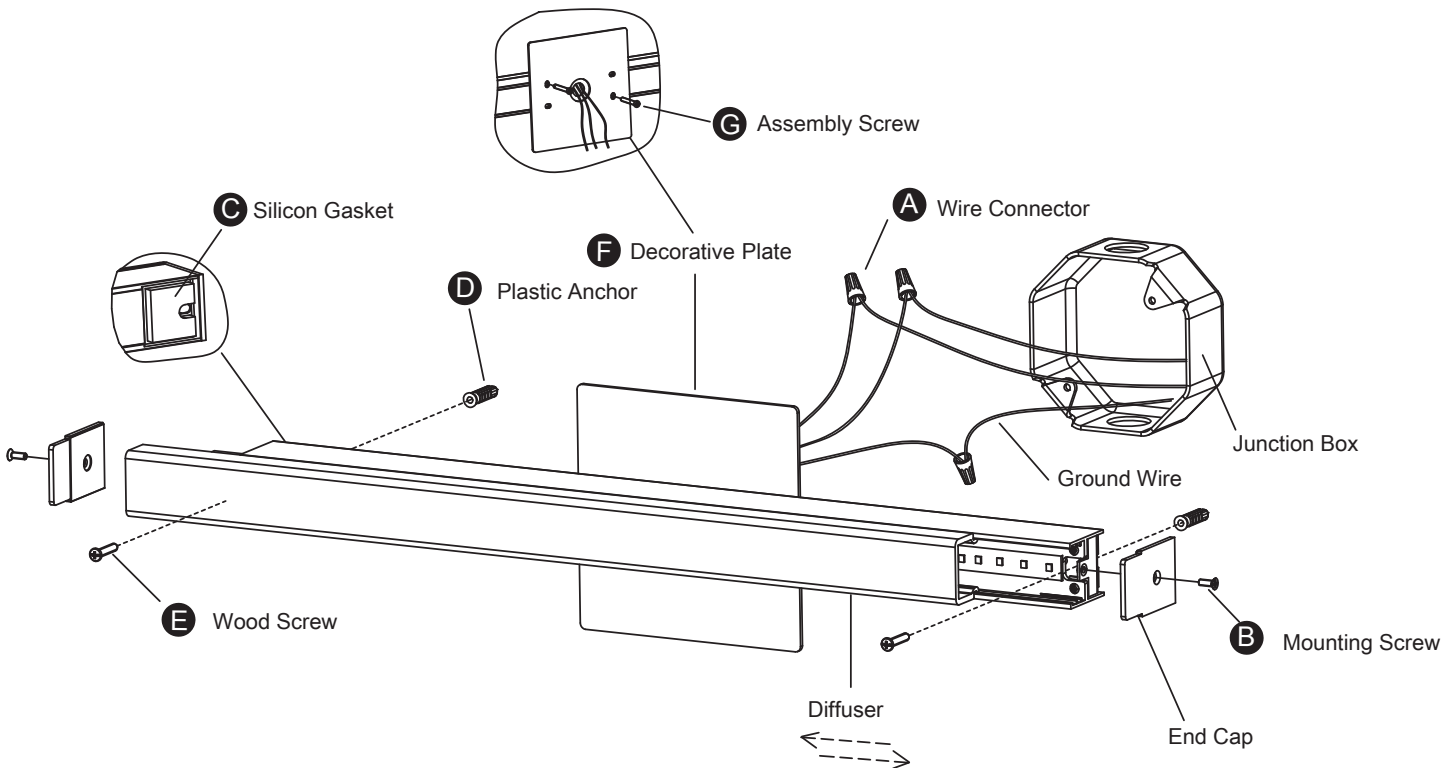
479 – LED Wall Sconce

WS-47932/WS-47934/WS-47937

WS-47940/WS-47949/WS-47961

MODERN FORMS

Fig.3



PREPARATION

1. Shut off the power at the circuit breaker and remove existing fixture, including the crossbar.
2. Carefully unpack your new fixture and lay out all the parts on a clear area. Be careful not to lose any small parts necessary for installation.

INSTALLATION

MOUNT WITHOUT JUNCTION BOX (Fig. 1)

1. Drill a fixture mounting hole according to (installation location), insert the plastic anchor (D).
2. Remove the mounting screw (B) and the end cap from the fixture.
3. Drill a small access hole in the wall behind the fixture and pull the house wires through the wall.
4. Connect the fixture's wires to house wires as shown in Fig.4, making sure that all wire connectors (A) are secured. If your outlet box has a green or bare copper ground wire, connect the fixture's ground wire to it. Otherwise, tuck the fixture's ground wire directly to the fixture. After wires are connected, tuck them carefully inside the wall hole.
5. Slide diffuser slightly out of the way to review the plastic anchor location on the back, then fasten the fixture to the wall using wood screw (E).
6. Secure the end cap to the fixture using mounting screw (B) to seal the diffuser.

MOUNT ON THE SLIM JUNCTION BOX (Fig. 2)

1. Replace or install newly the slim junction as foundation to enclose all the wiring per code. Use the two wood screws (E) provided to secure the slim junction box (H) on wall properly. Note: the junction box must be recessed about 1/8" into the surface of your wall.
2. Follow step 2 to 6 according to "MOUNT WITHOUT JUNCTION BOX". Note: no need to drill a small access hole in the wall

INSTALLATION INSTRUCTIONS

479 – LED Wall Sconce

WS-47932/WS-47934/WS-47937

WS-47940/WS-47949/WS-47961

MODERN FORMS

MOUNT ON THE JUNCTION BOX (Fig. 3)

1. Secure the assembly screw (G) and decorative plate (F) to the fixture, then replace the existing silicon gasket with the supplied silicon gasket (C).
2. Drill a fixture mounting hole according to (installation location), insert the plastic anchor (D).
3. Remove the mounting screw (B) and the end cap from the fixture.
4. Connect the fixture's wires to house wires as shown in Fig.4, making sure that all wire connectors (A) are secured. If your outlet box has a green or bare copper ground wire, connect the fixture's ground wire to it. Otherwise, tuck the fixture's ground wire directly to the fixture. After wires are connected, tuck them carefully inside the junction box.
5. Slide diffuser slightly out of the way to review the plastic anchor location on the back, then fasten the fixture to the wall using wood screw (E), make sure to align the decorative plate to adequately cover the junction box wall opening.
6. Secure the end cap to the fixture using mounting screw (B) to seal the diffuser.

Installation Location

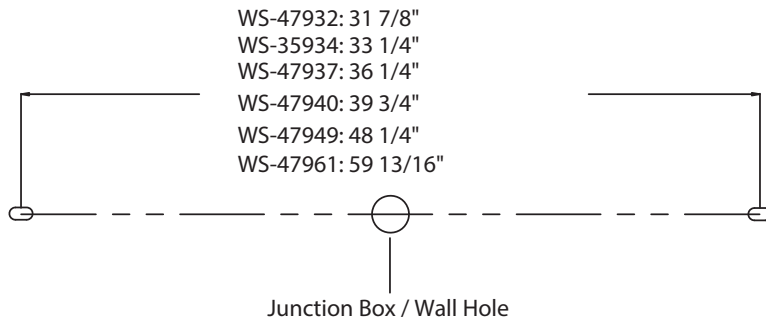


Fig.4 Wiring



Fixture Wires	House Wires
Black or Smooth	Black (Hot)
White or Ribbed	White (Neutral)
Bare wire (Ground)	Green or Bare Copper (Ground)

INSTALLATION INSTRUCTIONS

479 – LED Wall Sconce

WS-47973/ WS-47997

MODERN FORMS

CAUTION: To prevent electrical shock, ensure electricity has been turned off at the circuit breaker before beginning.

- Read all instructions before installing.
- System is intended for installation by a licensed electrician in accordance with the National Electrical Code (NEC) and local regulations.
- When handling the fixture, do not apply pressure to the LEDs. Hold the fixture by the base only.
- Retain installation instructions for future maintenance reference.

WARNING: All parts must be used as indicated in these instructions. This product is designed for use only with the supplied parts and/or accessories designated for use by Modern Forms. Substitution of parts or accessories not designated for use with this product by Modern Forms could result in personal injury or property damage, and will void the warranty. Contact an authorized dealer or the manufacturer if any parts are damaged or missing.

MAINTENANCE NOTE: Coastal conditions may cause mineral and residue build-up on the fixture. We recommend that customers in coastal areas clean all external surfaces of the fixture once every two weeks with a wet cloth.

MISE EN GARDE: Pour éviter tout choc électrique, assurez-vous que le disjoncteur soit mis hors tension avant de commencer.

- Lisez toutes les instructions avant l'installation.
- Le système doit être installé par un électricien licencié conformément au code national de l'électricité (NEC), et également aux règlements locaux.
- Lors de la manipulation du luminaire, n'appuyez pas sur les LED. Tenez-le uniquement par la base.

ATTENTION: Toutes les pièces doivent être utilisées comme indiqué dans ces instructions. Ce produit est conçu pour être utilisé seulement avec les pièces et/ou accessoires fournis pour être utilisés avec les produits Modern Forms. Remplacer des pièces ou accessoires non conçus pour ce produit Modern Forms pourrait causer des dommages corporels ou matériels et pourrait également causer l'annulation de la garantie. Veuillez contacter un revendeur autorisé ou le fabricant si des pièces manquent ou sont endommagées.

NOTE D'ENTRETIEN: Les conditions côtières peut causer une accumulation de minéraux et de résidus sur le luminaire. Nous recommandons aux clients qui résident dans les zones côtières de nettoyer toutes les surfaces externes du luminaire une fois toutes les deux semaines avec un chiffon humide.

HARDWARE

A



Wire Connector
Qty: 3pcs+1 Extra

B



Mounting Screw
Qty: 2pcs+1 Extra

C



Silicon Gasket
Qty: 2pcs

D



Plastic Anchor
Qty: 6pcs+1 Extra

E



Wood Screw
Qty: 4pcs+2 Extra

F



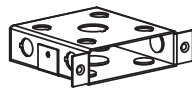
Decorative Plate
Qty: 1pc

G



Assembly Screw
Qty: 2pcs+1 Extra

H



Slim Junction Box
Qty: 1 pc

I



Tapping Screw
Qty: 4pcs+1 Extra

Silicon Ring

modernforms.com
Phone (800) 526.2588
Fax (800) 526.2585

Headquarters/Eastern Distribution Center
44 Harbor Park Drive
Port Washington, NY 11050

Central Distribution Center
1600 Distribution Ct
Lithia Springs, GA 30122

Western Distribution Center
1750 Archibald Avenue
Ontario, CA 91760



INSTALLATION INSTRUCTIONS

479 – LED Wall Sconce

WS-47973/ WS-47997

MODERN FORMS

Fig.1

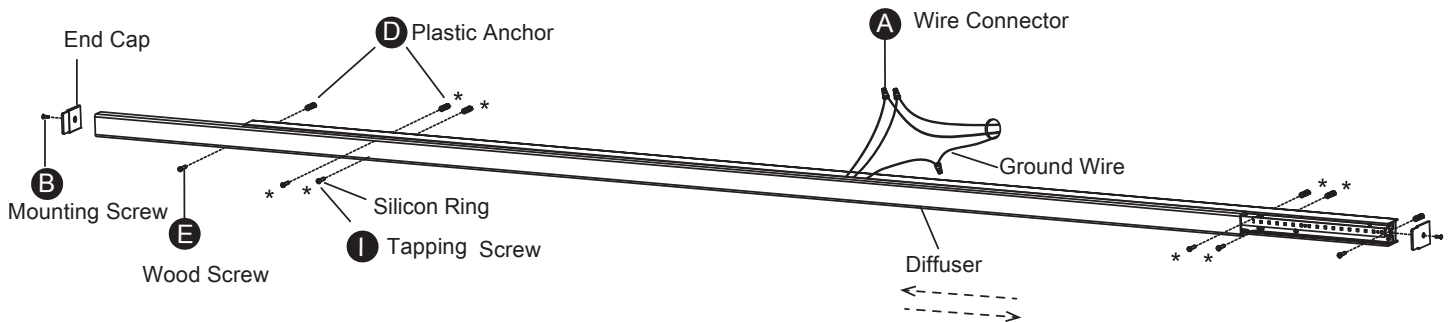


Fig.2

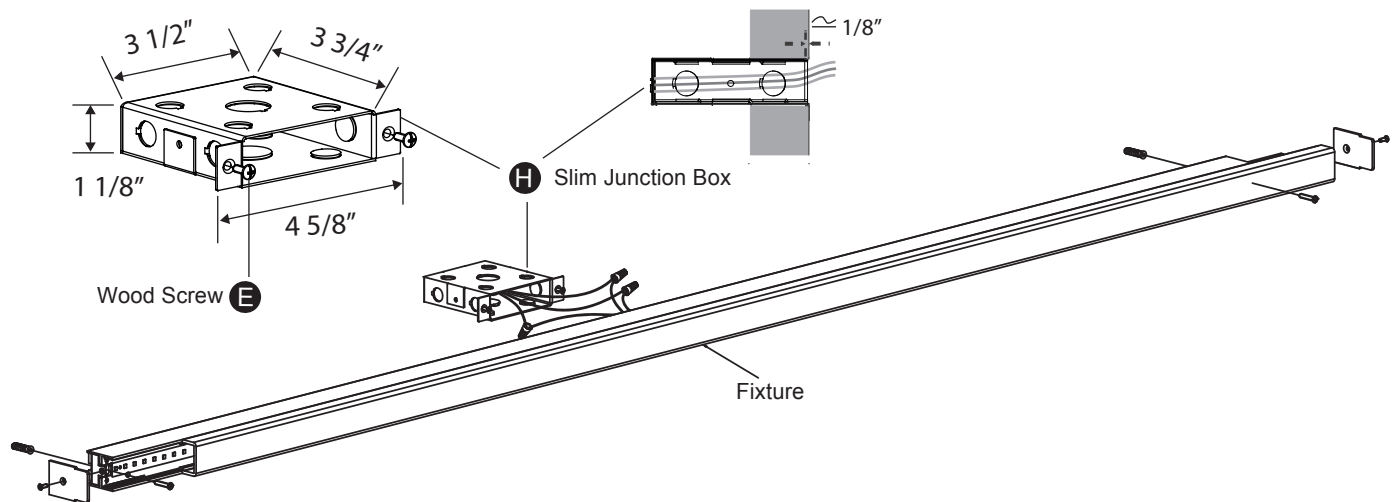
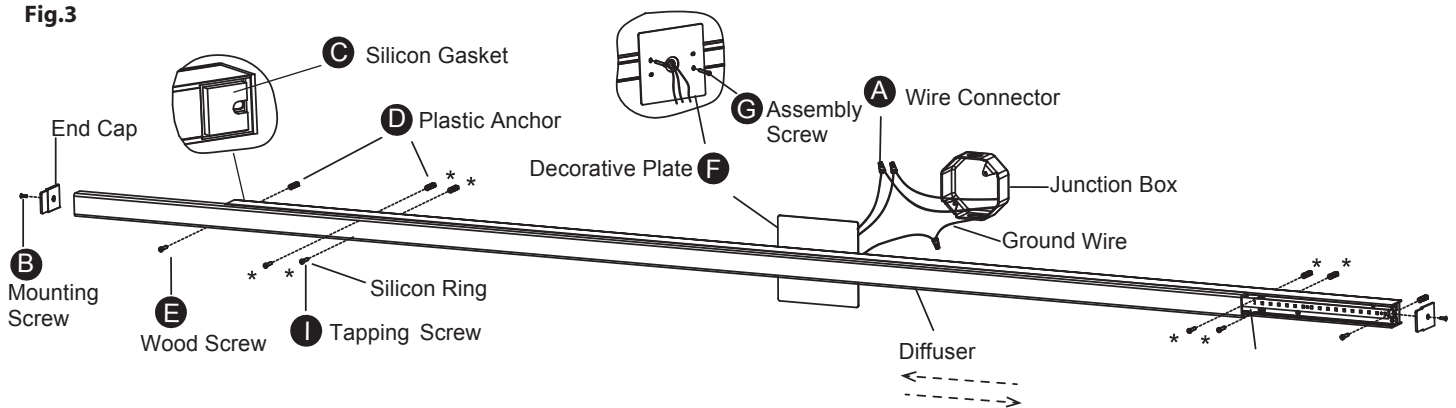


Fig.3



modernforms.com
Phone (800) 526.2588
Fax (800) 526.2585

Headquarters/Eastern Distribution Center
44 Harbor Park Drive
Port Washington, NY 11050

Central Distribution Center
1600 Distribution Ct
Lithia Springs, GA 30122

Western Distribution Center
1750 Archibald Avenue
Ontario, CA 91760



INSTALLATION INSTRUCTIONS

479 – LED Wall Sconce

WS-47973/ WS-47997

MODERN FORMS

PREPARATION

1. Shut off the power at the circuit breaker and remove existing fixture, including the crossbar.
2. Carefully unpack your new fixture and lay out all the parts on a clear area. Be careful not to lose any small parts necessary for installation.

INSTALLATION

MOUNT WITHOUT JUNCTION BOX (Fig. 1)

1. Drill a fixture mounting hole according to (installation location), insert the plastic anchor (D).
 2. Remove the mounting screw (B) and the end cap from the fixture.
 3. Drill a small access hole in the wall behind the fixture and pull the house wires through the wall.
 4. Connect the fixture's wires to house wires as shown in Fig.4, making sure that all wire connectors (A) are secured. If your outlet box has a green or bare copper ground wire, connect the fixture's ground wire to it. Otherwise, tuck the fixture's ground wire directly to the fixture. After wires are connected, tuck them carefully inside the wall hole.
 5. Slide diffuser slightly out of the way to review the plastic anchor location on the back, then fasten the fixture to the wall using wood screw (E).
- * If the fixture and wall have a large gap, tapping screw (I) can be used when installing the fixture.
6. Secure the end cap to the fixture using mounting screw (B) to seal the diffuser.

MOUNT ON THE SLIM JUNCTION BOX (Fig. 2)

1. Replace or install newly the slim junction as foundation to enclose all the wiring per code. Use the two wood screws (E) provided to secure the slim junction box (H) on wall properly. Note: the junction box must be recessed about 1/8" into the surface of your wall.
2. Follow step 2 to 6 according to "MOUNT WITHOUT JUNCTION BOX". Note: no need to drill a small access hole in the wall

MOUNT ON THE JUNCTION BOX (Fig. 3)

1. Secure the assembly screw (G) and decorative plate (F) to the fixture, then replace the existing silicon gasket with the supplied silicon gasket (C).
2. Drill a fixture mounting hole according to (installation location), insert the plastic anchor (D).
3. Remove the mounting screw (B) and the end cap from the fixture.
4. Connect the fixture's wires to house wires as shown in Fig.4, making sure that all wire connectors (A) are secured. If your outlet box has a green or bare copper ground wire, connect the fixture's ground wire to it. Otherwise, tuck the fixture's ground wire directly to the junction box.
5. Slide diffuser slightly out of the way to review the plastic anchor location on the back, then fasten the fixture to the wall using wood screw (E), make sure to align the decorative plate to adequately cover the junction box wall opening.
6. Secure the end cap to the fixture using mounting screw (B) to seal the diffuser.

Installation Location

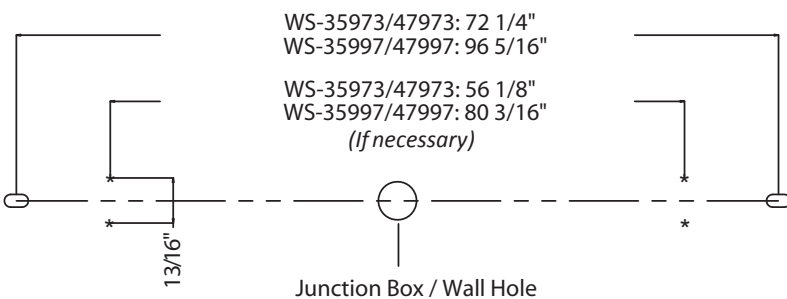
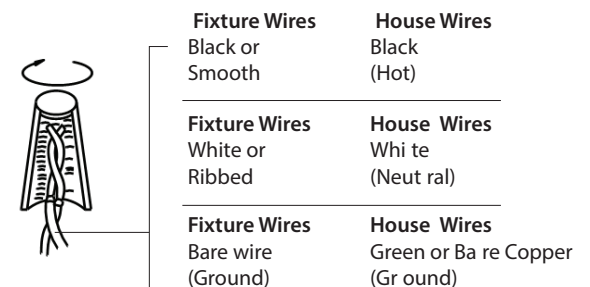


FIG. 4 Wiring



modernforms.com
Phone (800) 526.2588
Fax (800) 526.2585

Headquarters/Eastern Distribution Center
44 Harbor Park Drive
Port Washington, NY 11050

Central Distribution Center
1600 Distr
Lithia Springs, GA 30122

Western Distribution Center
1750 Archibald Avenue
Ontario, CA 91760

