

INSTALLATION INSTRUCTION

796 - Vanities & Wall Sconces

WAC LIGHTING

Responsible Lighting®

WS-79622/WS-79622F/WS-79628/WS-79628F

WARNING

IMPORTANT: NEVER attempt any work without shutting off the electricity.

- Read all instructions before installing.
- System is intended for installation by a qualified electrician in accordance with the National Electrical Code and local regulations.
- Go to the main fuse box, or circuit breaker. Place the main power switch in the "OFF" position and unscrew the fuse(s) or switch "OFF" the circuit breaker switch(es) that control the power to the fixture or room that you are working on.
- Place the wall switch in the "OFF" position.

CAUTION

- All parts must be used as indicated in these instructions. Do not substitute any parts, leave parts out, or use any parts that are worn out or broken. Failure to follow this instruction could invalidate the ETL/CETL listing of this fixture.
CAUTION When handling the fixture, do not apply pressure to the LEDs. Hold the fixture by the base only.

AVERTISSEMENT

IMPORTANT : Coupez l'électricité avant TOUTE manipulation.

- Lisez toutes les instructions avant d'installer.
- Système est destiné à être installé par un électricien qualifié en conformité avec le code national de l'électricité et les règlements locaux.
- Accédez au panneau central de disjoncteurs ou de fusibles de votre demeure et placez l'interrupteur principal en position d'arrêt (« OFF »).
- Placez l'interrupteur mural en position d'arrêt (« OFF »).

MISE EN GARDE

- Toutes les pièces doivent être utilisées tel qu'il est indiqué dans ces instructions. Ne remplacez pas les pièces, n'en laissez pas de côté et ne les utilisez pas si elles sont usées ou brisées. Le non-respect de ces instructions peut annuler l'homologation ETL/CETL du luminaire. MISE EN GARDE Ors de la manipulation de l'appareil, ne pas appliquer de pression à la LED, tenir l'appareil par la seule base.

ADVERTENCIA





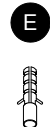





IMPORTANTE: NUNCA intente hacer trabajos sin desconectar el suministro eléctrico.

- Lea y comprenda todas las instrucciones e ilustraciones por completo antes de proceder con el ensamblaje e instalación de esta lámpara.
- Sistema está diseñado para ser instalado por un electricista calificado, de acuerdo con el código eléctrico nacional y las normas locales.
- Diríjase a la caja de fusibles o a la caja del interruptor de circuito principal en su hogar. Coloque el interruptor de alimentación principal en la posición "OFF" (APAGADO).
- Coloque el interruptor de la pared en la posición "OFF" (APAGADO).

PRECAUCIÓN

- Todas las piezas deben usarse como lo indican estas instrucciones. No reemplace las piezas, no omita piezas durante la instalación ni utilice piezas gastadas o rotas. El incumplimiento de esta indicación podría invalidar la calificación ETL/CETL esta lámpara. PRECAUCIÓN Al manipular el aparato, no aplique presión a los LED, mantenga el aparato en la base sólo.

HARDWARE

									
Wire Connector Qty: 3pcs 7EAC112201	Junction Box Screw Qty: 2pcs+1 Extra 7MPF0415C2 #8-32x5/8 SS	Mounting Screw Qty: 1 Extra 7MPF0406C3 #5-32/32x1/4 Nickel Plating	Wood Screw Qty: 2pcs+1 Extra 7MPF2204J2 Φ4x22	Plastic Anchor Qty: 2pcs+1 Extra 7TDD082401	Mounting Screw Qty: 1 Extra 7MPF0412S1 #5-32/32x1/4 Nickel Plating	Conversion Plate Qty: 1pc 4MBC171110NI	Mounting Ring Qty: 1pc 7MBC101501	Spacer Qty: 2pcs+1 Extra 7MBD076401	Mounting Screw Qty: 2pcs+1 Extra 7MPF0415C2 #8-32x5/8 SS

waclighting.com
Phone (800) 526.2588
Fax (800) 526.2585

Headquarters/Eastern Distribution Center
44 Harbor Park Drive
Port Washington, NY 11050

Central Distribution Center
1600 Distribution Ct
Lithia Springs, GA 30122

Western Distribution Center
1750 Archibald Avenue
Ontario, CA 91760



INSTALLATION INSTRUCTION
796 - Vanities & Wall Sconces

WS-79622/WS-79622F/WS-79628/WS-79628F

WAC LIGHTING
 Responsible Lighting®

FIG. 1 MOUNT ON SWITCH

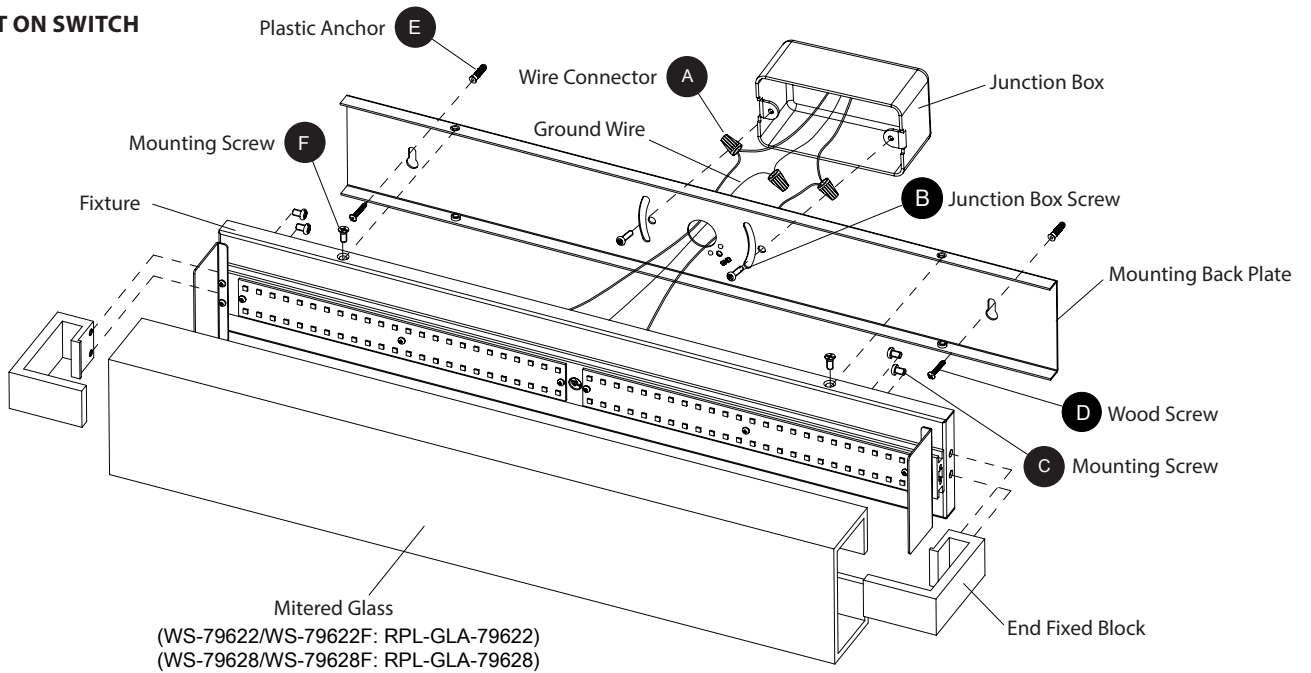
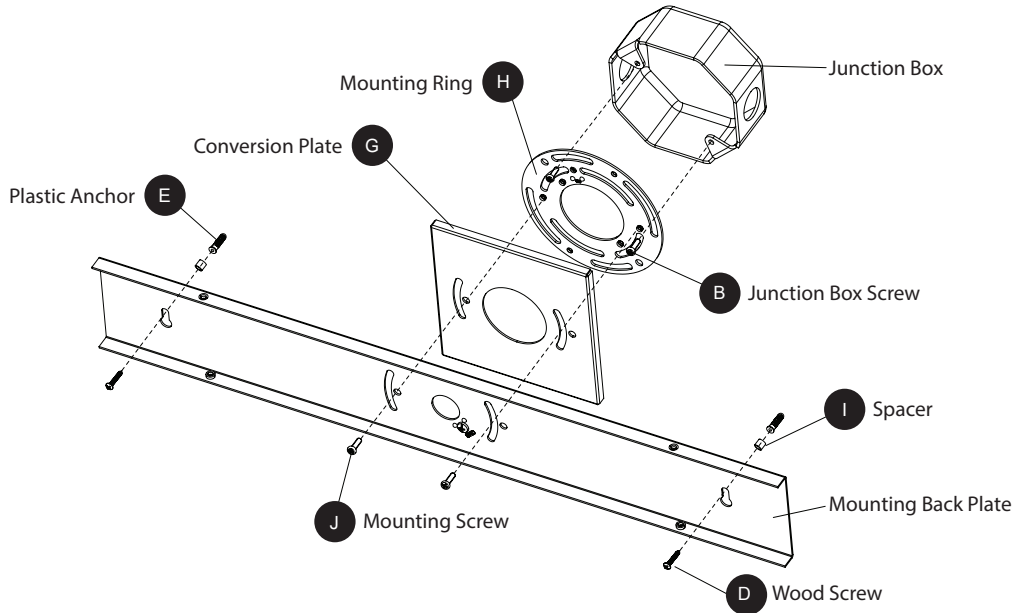
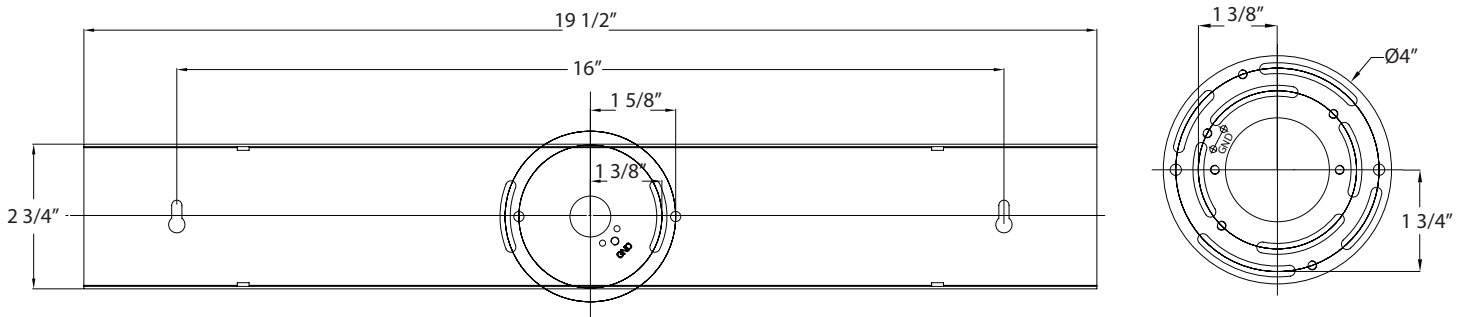


FIG. 2 MOUNT ON JUNCTION BOX



Back Plate Dimensions



waclighting.com
 Phone (800) 526.2588
 Fax (800) 526.2585

Headquarters/Eastern Distribution Center
 44 Harbor Park Drive
 Port Washington, NY 11050

Central Distribution Center
 1600 Distribution Ct
 Lithia Springs, GA 30122

Western Distribution Center
 1750 Archibald Avenue
 Ontario, CA 91760



INSTALLATION INSTRUCTION

796 - Vanities & Wall Sconces

WS-79622/WS-79622F/WS-79628/WS-79628F

WAC LIGHTING
Responsible Lighting®

PREPARATION

1. Shut off the power at the circuit breaker and remove existing fixture, including the crossbar.
2. Carefully unpack your new fixture and lay out all the parts on a clear area. Be careful not to lose any small parts necessary for installation.

INSTALLATION

MOUNT ON SWITCH BOX (Fig. 1)

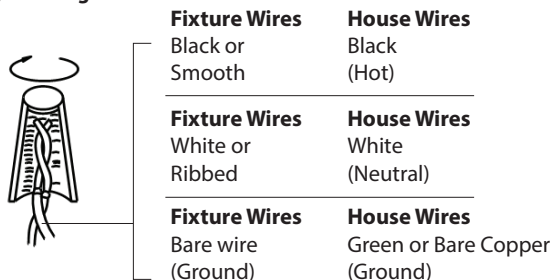
3. Remove the mounting screw (F1) from the fixture.
4. Drill holes in the wall aligned with the key-hole located in the mounting plate, insert the plastic anchor (E1) to the wall.
5. Connect the fixture wire to junction box wires as shown in **Fig. 3**, making sure that all wire connectors (A1) are secured. If your outlet box has a green or bare cooper ground wire, connect the fixture's ground wire to it. Otherwise, connect the fixture's ground wire directly to the back plate using the green screw provided. After wires are connected, tuck them carefully inside the switch box.
6. Secure the mounting plate to the switch box using the junction box screw (B1). Fasten the mounting plate to the wall using the wood screw (D1). The side of the mounting plate marked "GND" must face out.
7. Remove the mounting screw (C1) and take out the end fixed block from one side of the fixture.
8. Carefully insert the glass on the fixture, and secure it with end fixed block and mounting screw (C1).
9. Place the fixture over the mounting plate, and secure it with mounting screw (F1).

OR

MOUNT ON JUNCTION BOX (Fig. 2)

3. Remove the mounting screw (F1) from the fixture
4. Drill holes in the wall aligned with the key-hole located in the mounting plate, insert the plastic anchor (E1) to the wall.
5. Connect the fixture wire to junction box wires as shown in **Fig. 3**, making sure that all wire connectors (A1) are secured. If your outlet box has a green or bare cooper ground wire, connect the fixture's ground wire to it. Otherwise, connect the fixture's ground wire directly to the back plate using the green screw provided. After wires are connected, tuck them carefully inside the switch box.
6. Secure the mounting ring (H1) to the junction box using the junction box screw (B1). The side of the mounting plate marked "GND" must face out.
7. Place the mounting plate and the conversion plate (G1) onto the mounting ring, secure them with mounting screw (J1).
8. Fasten the wood screw (D1) and the spacer (I1) to the plastic anchor (E1).
9. Remove the mounting screw (C1) and take out the end fixed block from one side of the fixture.
10. Carefully insert the glass on the fixture, and secure it with end fixed block and mounting screw (C1).
11. Place the fixture over the mounting back plate, and secure it with mounting screw (F1).

Fig. 3 Wiring



waclighting.com
Phone (800) 526.2588
Fax (800) 526.2585

Headquarters/Eastern Distribution Center
44 Harbor Park Drive
Port Washington, NY 11050

Central Distribution Center
1600 Distribution Ct
Lithia Springs, GA 30122

Western Distribution Center
1750 Archibald Avenue
Ontario, CA 91760



INSTALLATION INSTRUCTION
796 - Vanities & Wall Sconces
WS-79636/WS-79636F

WAC LIGHTING
 Responsible Lighting®

WARNING

IMPORTANT: NEVER attempt any work without shutting off the electricity.

- Read all instructions before installing.
- System is intended for installation by a qualified electrician in accordance with the National Electrical Code and local regulations.
- Go to the main fuse box, or circuit breaker. Place the main power switch in the "OFF" position and unscrew the fuse(s) or switch "OFF" the circuit breaker switch(es) that control the power to the fixture or room that you are working on.
- Place the wall switch in the "OFF" position.

CAUTION

- All parts must be used as indicated in these instructions. Do not substitute any parts, leave parts out, or use any parts that are worn out or broken. Failure to follow this instruction could invalidate the ETL/CETL listing of this fixture.
- CAUTION When handling the fixture, do not apply pressure to the LEDs. Hold the fixture by the base only.

AVERTISSEMENT

IMPORTANT : Coupez l'électricité avant TOUTE manipulation.

- Lisez toutes les instructions avant d'installer.
- Système est destiné à être installé par un électricien qualifié en conformité avec le code national de l'électricité et les règlements locaux.
- Accédez au panneau central de disjoncteurs ou de fusibles de votre demeure et placez l'interrupteur principal en position d'arrêt (« OFF »).
- Placez l'interrupteur mural en position d'arrêt (« OFF »).

MISE EN GARDE

- Toutes les pièces doivent être utilisées tel qu'il est indiqué dans ces instructions. Ne remplacez pas les pièces, n'en laissez pas de côté et ne les utilisez pas si elles sont usées ou brisées. Le non-respect de ces instructions peut annuler l'homologation ETL/CETL du luminaire. MISE EN GARDE Ors de la manipulation de l'appareil, ne pas appliquer de pression à la LED, tenir l'appareil par la seule base.

ADVERTENCIA


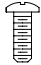

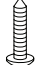
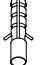




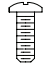
IMPORTANTE: NUNCA intente hacer trabajos sin desconectar el suministro eléctrico.

- Lea y comprenda todas las instrucciones e ilustraciones por completo antes de proceder con el ensamblaje e instalación de esta lámpara.
- Sistema está diseñado para ser instalado por un electricista calificado, de acuerdo con el código eléctrico nacional y las normas locales.
- Diríjase a la caja de fusibles o a la caja del interruptor de circuito principal en su hogar. Coloque el interruptor de alimentación principal en la posición "OFF" (APAGADO).
- Coloque el interruptor de la pared en la posición "OFF" (APAGADO).

PRECAUCIÓN

- Todas las piezas deben usarse como lo indican estas instrucciones. No reemplace las piezas, no omita piezas durante la instalación ni utilice piezas gastadas o rotas. El incumplimiento de esta indicación podría invalidar la calificación ETL/CETL esta lámpara. PRECAUCIÓN Al manipular el aparato, no aplique presión a los LED, mantenga el aparato en la base sólo.

HARDWARE

A1	B1	C1	D1	E1	F1	G1	H1	I1	J1
									
Wire Connector Qty: 3 pcs	Junction Box Screw Qty: 2 pcs + 1 Extra	Mounting Screw Qty: 4 pcs + 1 Extra	Wood Screw Qty: 2 pcs + 1 Extra	Plastic Anchor Qty: 2 pcs + 1 Extra	Mounting Screw Qty: 6 pcs + 1 Extra	Conversion Plate Qty: 1 pc	Mounting Ring Qty: 1 pc	Spacer Qty: 2 pcs + 1 Extra	Mounting Screw Qty: 2 pcs + 1 Extra

waclighting.com
 Phone (800) 526.2588
 Fax (800) 526.2585

Headquarters/Eastern Distribution Center
 44 Harbor Park Drive
 Port Washington, NY 11050

Central Distribution Center
 1600 Distribution Ct
 Lithia Springs, GA 30122

Western Distribution Center
 1750 Archibald Avenue
 Ontario, CA 91760



FIG. 1 MOUNT ON SWITCH

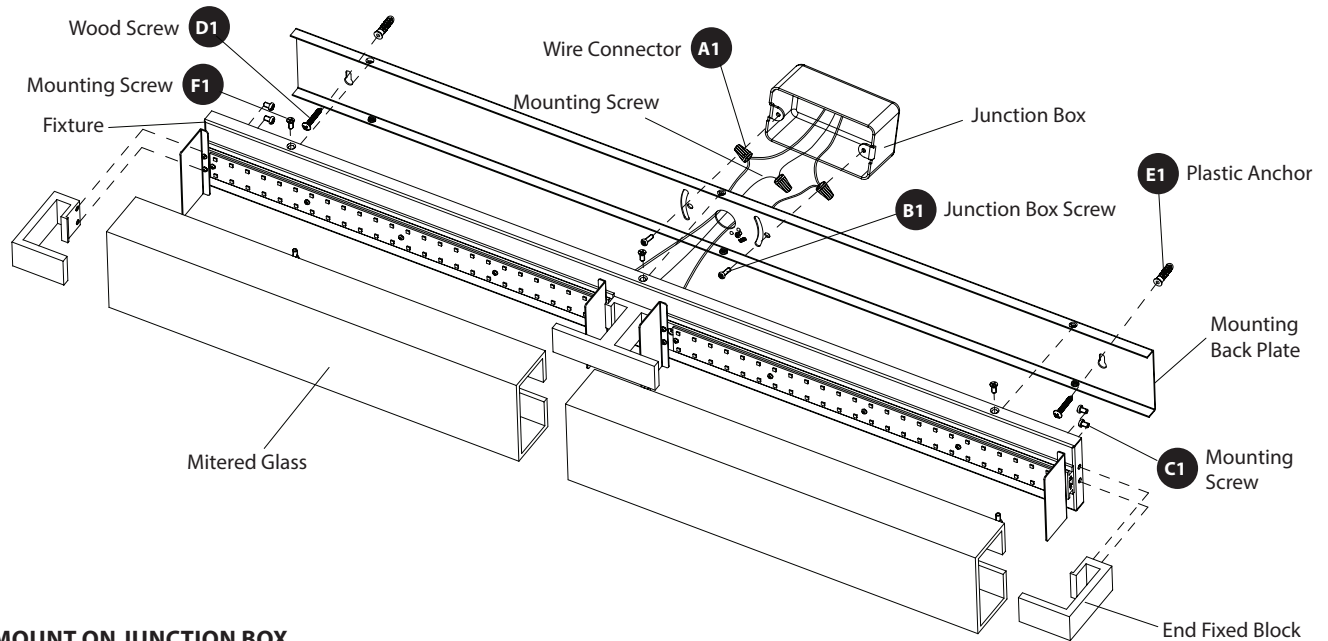
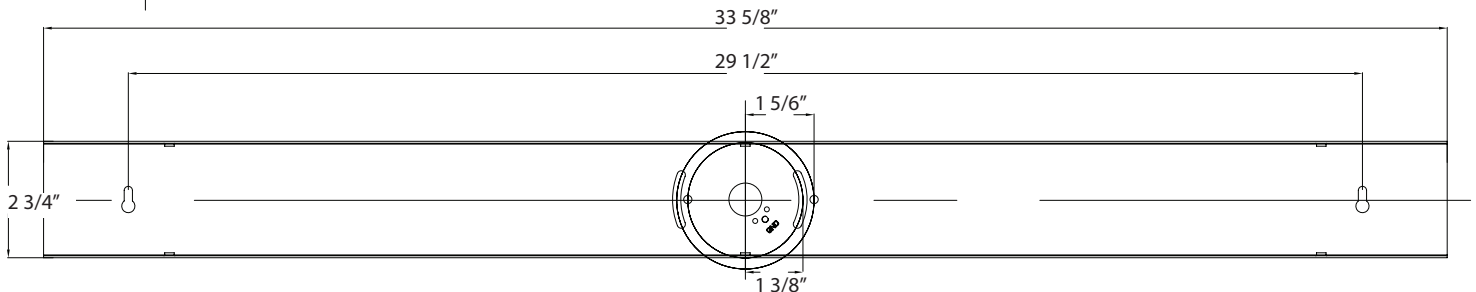
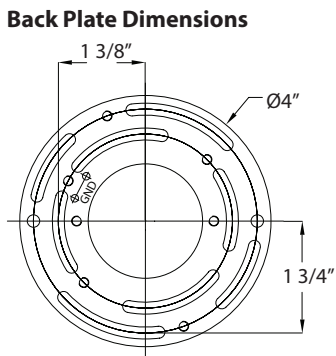
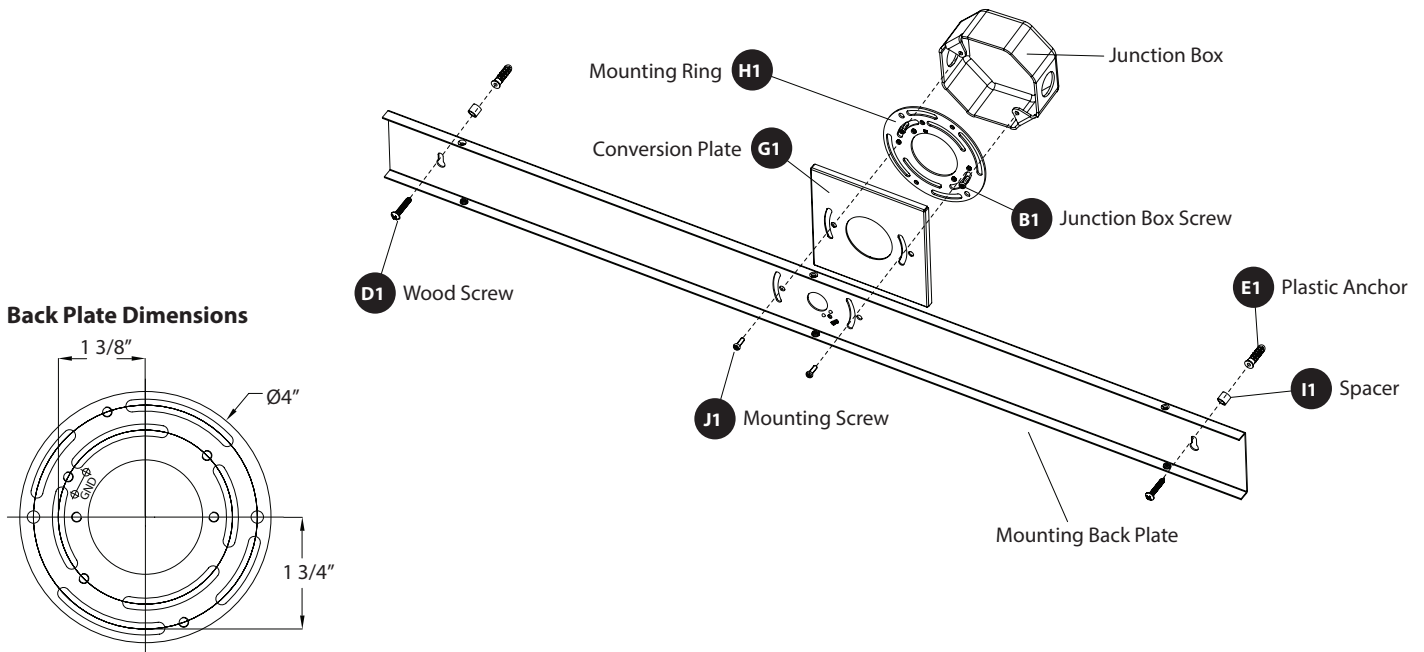


FIG. 2 MOUNT ON JUNCTION BOX



waclighting.com
 Phone (800) 526.2588
 Fax (800) 526.2585

Headquarters/Eastern Distribution Center
 44 Harbor Park Drive
 Port Washington, NY 11050

Central Distribution Center
 1600 Distribution Ct
 Lithia Springs, GA 30122

Western Distribution Center
 1750 Archibald Avenue
 Ontario, CA 91760



INSTALLATION INSTRUCTION
796 - Vanities & Wall Sconces
WS-79636/WS-79636F

PREPARATION

1. Shut off the power at the circuit breaker and remove existing fixture, including the crossbar.
2. Carefully unpack your new fixture and lay out all the parts on a clear area. Be careful not to lose any small parts necessary for installation.

INSTALLATION

MOUNT ON SWITCH BOX (Fig. 1)

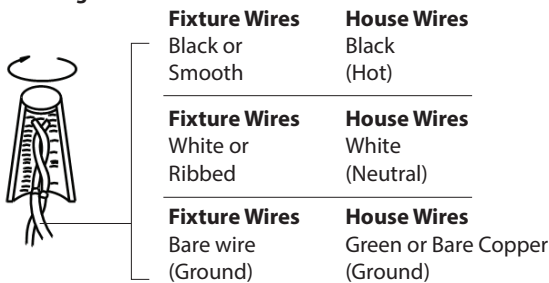
3. Remove the mounting screw (F1) from the fixture.
4. Drill holes in the wall aligned with the key-hole located in the mounting plate, insert the plastic anchor (E1) to the wall.
5. Connect the fixture wire to junction box wires as shown in **Fig. 3**, making sure that all wire connectors (A1) are secured. If your outlet box has a green or bare cooper ground wire, connect the fixture's ground wire to it. Otherwise, connect the fixture's ground wire directly to the back plate using the green screw provided. After wires are connected, tuck them carefully inside the switch box.
6. Secure the mounting back plate to the switch box using the junction box screw (B1). Fasten the mounting back plate to the wall using the wood screw (D1). The side of the mounting plate marked "GND" must face out.
7. Remove the mounting screw (C1) and take out the end fixed block from two sides of the fixture.
8. Carefully insert the glass on the fixture, and secure it with end fixed block and mounting screw (C1).
9. Place the fixture over the mounting back plate, and secure it with mounting screw (F1).

OR

MOUNT ON JUNCTION BOX (Fig. 2)

3. Remove the mounting screw (F1) from the fixture.
4. Drill holes in the wall aligned with the key-hole located in the mounting plate, insert the plastic anchor (E1) to the wall.
5. Connect the fixture wire to junction box wires as shown in **Fig. 3**, making sure that all wire connectors (A1) are secured. If your outlet box has a green or bare cooper ground wire, connect the fixture's ground wire to it. Otherwise, connect the fixture's ground wire directly to the back plate using the green screw provided. After wires are connected, tuck them carefully inside the switch box.
6. Secure the mounting ring (H1) to the junction box using the junction box screw (B1). The side of the mounting plate marked "GND" must face out.
7. Place the mounting back plate and the conversion plate (G1) onto the mounting ring, secure them with mounting screw (J1).
8. Fasten the wood screw (D1) and the spacer (I1) to the plastic anchor (E1).
9. Remove the mounting screw (C1) and take out the end fixed block from two sides of the fixture.
10. Carefully insert the glass on the fixture, and secure it with end fixed block and mounting screw (C1).
11. Place the fixture over the mounting back plate, and secure it with mounting screw (F1).

Fig. 3 Wiring



INSTALLATION INSTRUCTION

Trimless Junction Box Cover

CP-TL-WT



CAUTION: TO PREVENT ELECTRICAL SHOCK, ENSURE ELECTRICITY HAS BEEN TURNED OFF AT THE CIRCUIT BREAKER BEFORE BEGINNING.

- Read all instructions before installing.
- System is intended for installation by a licensed electrician in accordance with the National Electrical Code (NEC) and local regulations.
- When handling the fixture, do not apply pressure to the LEDs. Hold the fixture by the base only.
- Retain installation instructions for future maintenance reference.

WARNING: All parts must be used as indicated in these instructions. This product is designed for use only with the supplied parts and/or accessories designated for use by WAC Lighting. Substitution of parts or accessories not designated for use with this product by WAC Lighting could result in personal injury or property damage, and will void the warranty. Contact an authorized dealer or the manufacturer if any parts are damaged or missing.

MISE EN GARDE: POUR ÉVITER TOUT CHOC ÉLECTRIQUE, ASSUREZ-VOUS QUE LE DISJONCTEUR SOIT MIS HORS TENSION AVANT DE COMMENCER.

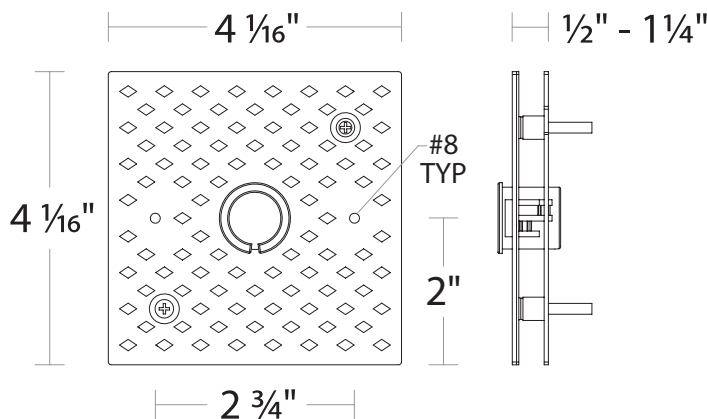
- Lisez toutes les instructions avant l'installation.
- Le système doit être installé par un électricien licencié conformément au code national de l'électricité (NEC), et également aux règlements locaux.
- Lors de la manipulation du luminaire, n'appuyez pas sur les LED. Tenez-le uniquement par la base.

ATTENTION: Toutes les pièces doivent être utilisées comme indiqué dans ces instructions. Ce produit est conçu pour être utilisé seulement avec les pièces et/ou accessoires fournis pour être utilisés avec les produits WAC Lighting. Remplacer des pièces ou accessoires non conçus pour ce produit WAC Lighting pourrait causer des dommages corporels ou matériels et pourrait également causer l'annulation de la garantie. Veuillez contacter un revendeur autorisé ou le fabricant si des pièces manquent ou sont endommagées.

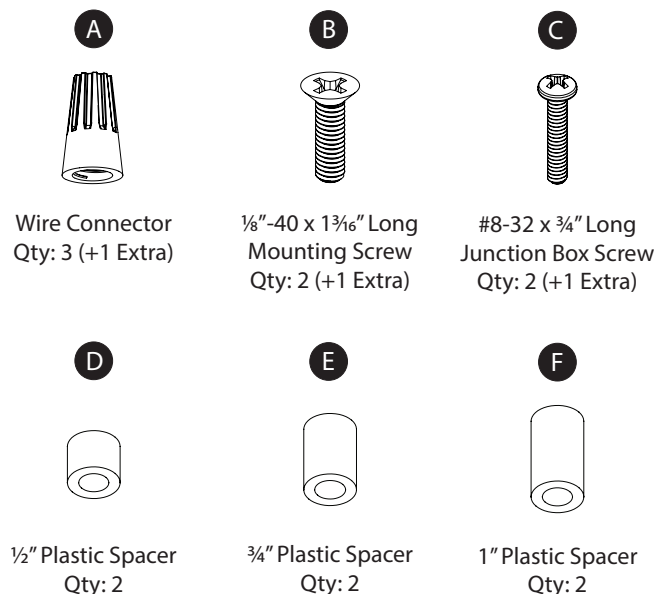
COMPONENT OVERVIEW

The trimless junction box cover is intended for installation to NEC approved 4" square junction boxes recessed in drywall and flush with the support structure. It may be covered with spackle and/or plaster to conceal junction box visibility. It is to be connected to compatible WAC fixtures and track lighting components. Refer to specifications sheets for more information on connector compatibility.

OVERALL COMPONENT DIMENSIONS



HARDWARE



waclighting.com
Phone (800) 526.2588
Fax (800) 526.2585

Headquarters/Eastern Distribution Center
44 Harbor Park Drive
Port Washington, NY 11050

Central Distribution Center
1600 Distribution Ct
Lithia Springs, GA 30122

Western Distribution Center
1750 Archibald Avenue
Ontario, CA 91760



INSTALLATION INSTRUCTION

Trimless Junction Box Cover

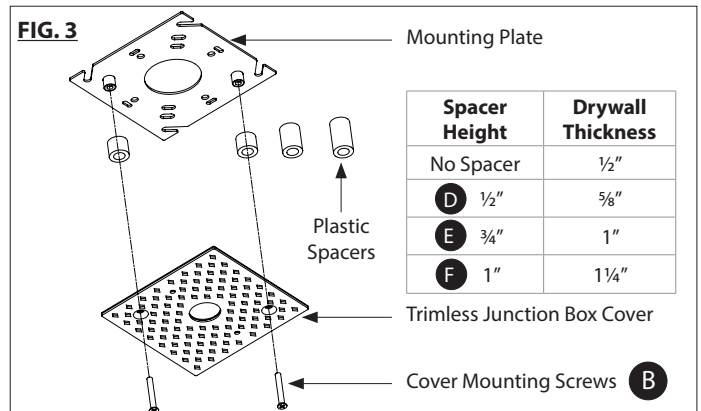
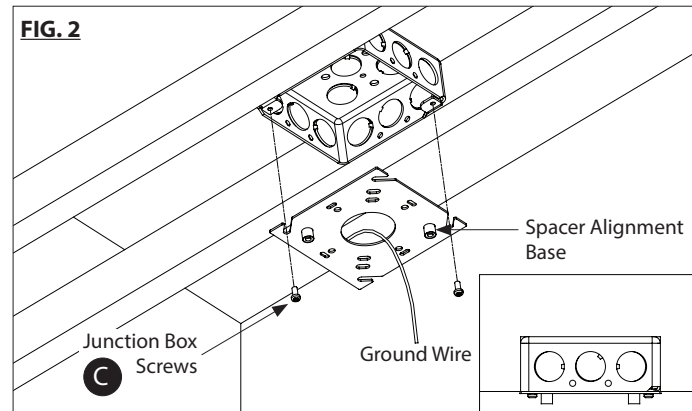
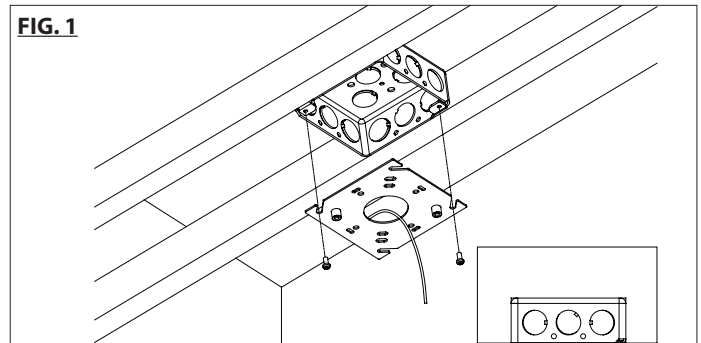
CP-TL-WT



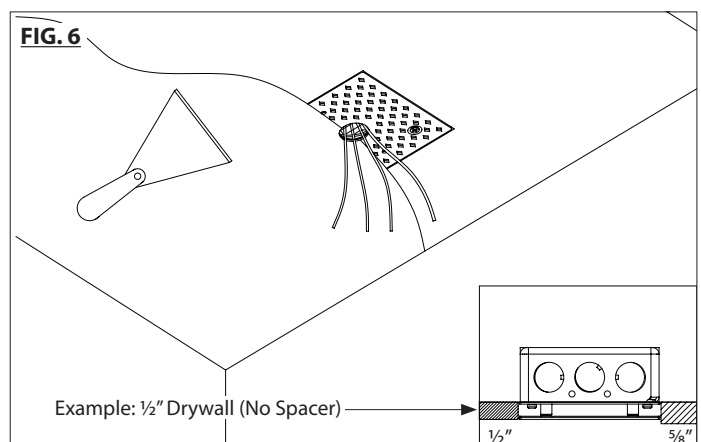
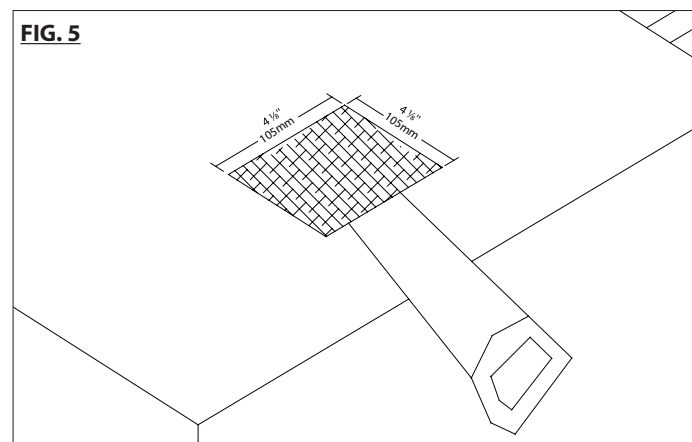
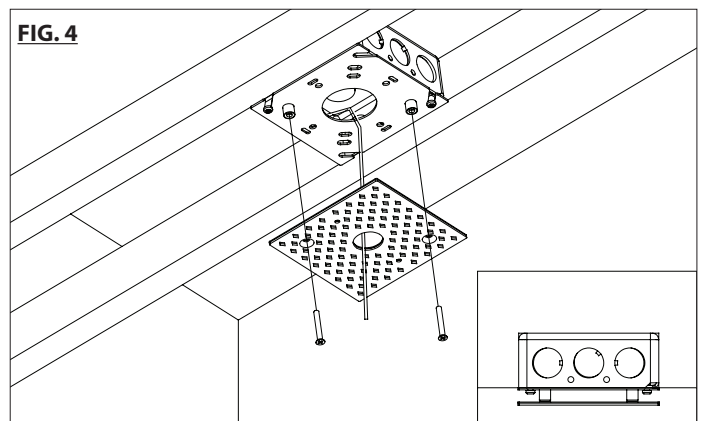
TRIMLESS JUNCTION BOX COVER INSTALLATION:

The trimless junction box cover is compatible with NEC approved 4" square junction boxes recessed in drywall and flush with the support structure.

1. Install compatible junction box (by others) to the framing structure. Ensure the junction box is flush with the base or front of framing structure (See FIG. 1).
2. Install the mounting plate to the junction box (See FIG. 2). Ensure the spacer alignment base is facing outward.



3. Determine the drywall thickness and select the appropriate spacer to install between the mounting plate and the trimless junction box cover (See FIG. 3).
NOTE: Only 1 matching pair of spacers are to be used per installation.
4. Using the mounting screws provided, attach the trimless junction box cover to the mounting plate (See FIG. 4).
5. Make a 4 1/8" square cutout in drywall at the intended trimless junction box cover location and proceed to install to framing structure (See FIG. 5). Apply and finish spackle up to the center hole of trimless junction box cover. Ensure #8 holes on the cover are free of spackle. (See FIG. 6).



waclighting.com
Phone (800) 526.2588
Fax (800) 526.2585

Headquarters/Eastern Distribution Center
44 Harbor Park Drive
Port Washington, NY 11050

Central Distribution Center
1600 Distribution Ct
Lithia Springs, GA 30122

Western Distribution Center
1750 Archibald Avenue
Ontario, CA 91760



INSTALLATION INSTRUCTION

Trimless Junction Box Cover

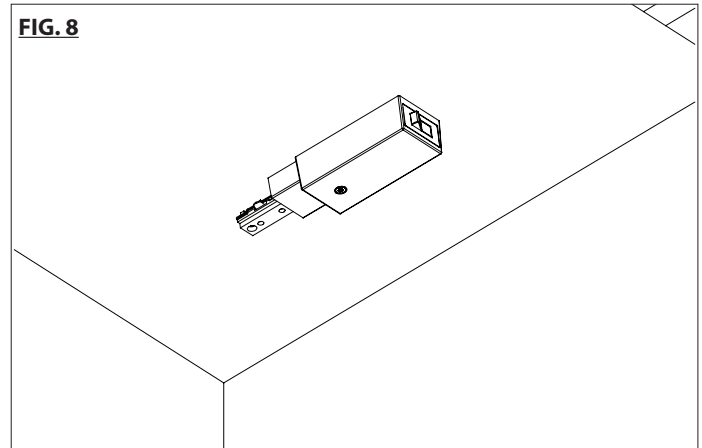
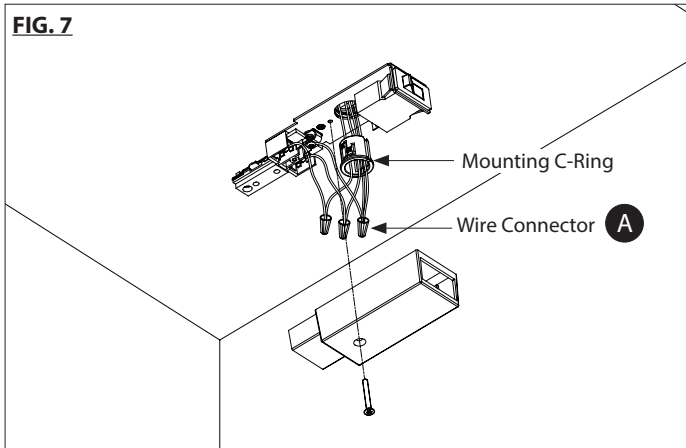
CP-TL-WT



FIXTURE INSTALLATION TO JUNCTION BOX COVER (USING C-RING):

The trimless junction box cover is supplied with a mounting C-ring that is compatible with 7/8" knockouts. This mounting C-ring is used to secure the fixture to the trimless junction box cover.

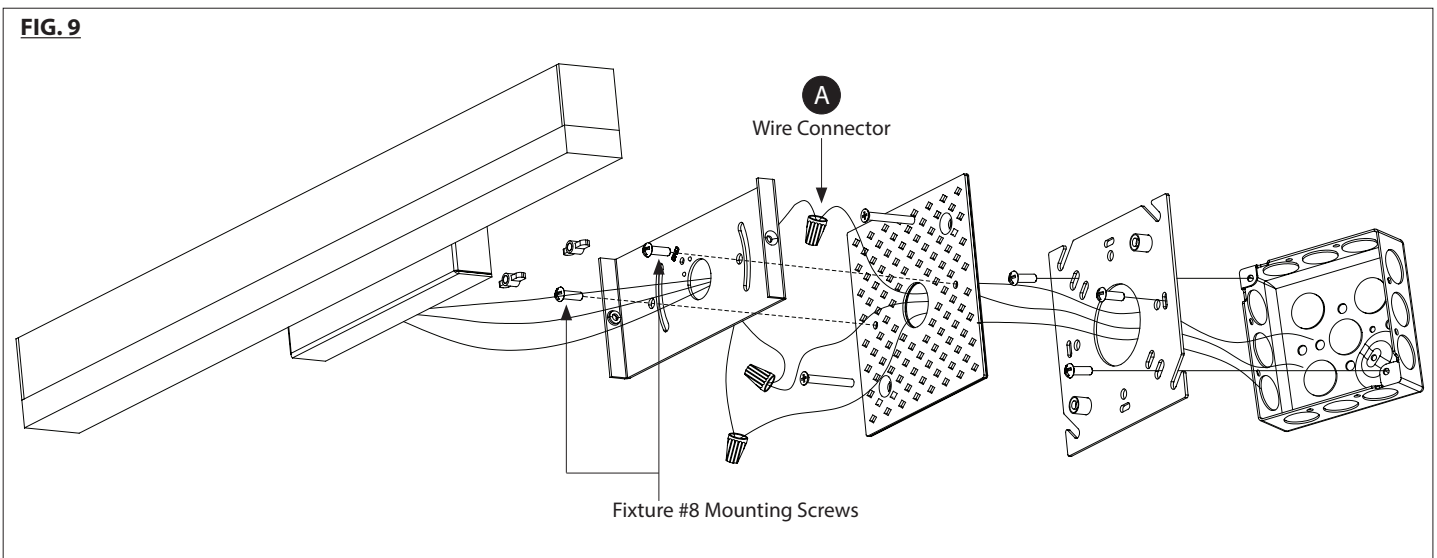
1. Remove 7/8" knockout material from the fixture or connector. Bring the building and ground wires through the fixture knockout and mounting C-ring. (See **FIG. 7**).
2. Make appropriate splice connections. Wiring may be placed inside the fixture or pushed into the junction box. Apply fixture cover or lensing (where applicable) to complete the installation. (See **FIG. 8**).



FIXTURE INSTALLATION TO JUNCTION BOX COVER (USING #8 HOLES ON COVER):

The trimless junction box cover features two #8 holes which may be used to mount fixtures:

1. Make appropriate splice connections. Wiring may be placed inside the fixture or pushed into the junction box.
2. Using #8 mounting screws supplied with the lighting fixture, attach the fixtures to the #8 holes on the trimless junction box cover. Apply fixture cover or lensing (where applicable) to complete the installation. (See **FIG. 9**).



waclighting.com
Phone (800) 526.2588
Fax (800) 526.2585

Headquarters/Eastern Distribution Center
44 Harbor Park Drive
Port Washington, NY 11050

Central Distribution Center
1600 Distribution Ct
Lithia Springs, GA 30122

Western Distribution Center
1750 Archibald Avenue
Ontario, CA 91760

