

# INSTALLATION INSTRUCTIONS

## 1146-LED WALL SCONCE

### WS114624

# dweLED

**CAUTION: To prevent electrical shock, ensure electricity has been turned off at the circuit breaker before beginning.**

- Read all instructions before installing.
- System is intended for installation by a licensed electrician in accordance with the National Electrical Code (NEC) and local regulations.
- When handling the fixture, do not apply pressure to the LEDs. Hold the fixture by the base only.
- Retain installation instructions for future maintenance reference.

**WARNING:** All parts must be used as indicated in these instructions. This product is designed for use only with the supplied parts and/or accessories designated for use by Modern Forms. Substitution of parts or accessories not designated for use with this product by Modern Forms could result in personal injury or property damage, and will void the warranty. Contact an authorized dealer or the manufacturer if any parts are damaged or missing.

**MAINTENANCE NOTE:** Coastal conditions may cause mineral and residue build-up on the fixture. We recommend that customers in coastal areas clean all external surfaces of the fixture once every two weeks with a wet cloth.

**MISE EN GARDE:** Pour éviter tout choc électrique, assurez-vous que le disjoncteur soit mis hors tension avant de commencer.

- Lisez toutes les instructions avant l'installation.
- Le système doit être installé par un électricien licencié conformément au code national de l'électricité (NEC), et également aux règlements locaux.
- Lors de la manipulation du luminaire, n'appuyez pas sur les LED. Tenez-le uniquement par la base.

**ATTENTION:** Toutes les pièces doivent être utilisées comme indiqué dans ces instructions. Ce produit est conçu pour être utilisé seulement avec les pièces et/ou accessoires fournis pour être utilisés avec les produits Modern Forms. Remplacer des pièces ou accessoires non conçus pour ce produit Modern Forms pourrait causer des dommages corporels ou matériels et pourrait également causer l'annulation de la garantie. Veuillez contacter un revendeur autorisé ou le fabricant si des pièces manquent ou sont endommagées.

**NOTE D'ENTRETIEN:** Les conditions côtières peut causer une accumulation de minéraux et de résidus sur le luminaire. Nous recommandons aux clients qui résident dans les zones côtières de nettoyer toutes les surfaces externes du luminaire une fois toutes les deux semaines avec un chiffon humide.

## HARDWARE

A



Wire Connector  
Qty:3PCS+1Extra

B



Mounting Screw  
Qty:1Extra

C



Anchor Screw  
Qty:2PCS+1Extra

D



Plastic Anchor  
Qty:2PCS+1Extra

E



Glass Screw  
Qty:12PCS+1Extra

wacighting.com  
Phone (800) 526.2588  
Fax (800) 526.2585

Headquarters, East Manufacturing Facility  
44 Harbor Park Drive  
Port Washington, NY 11050

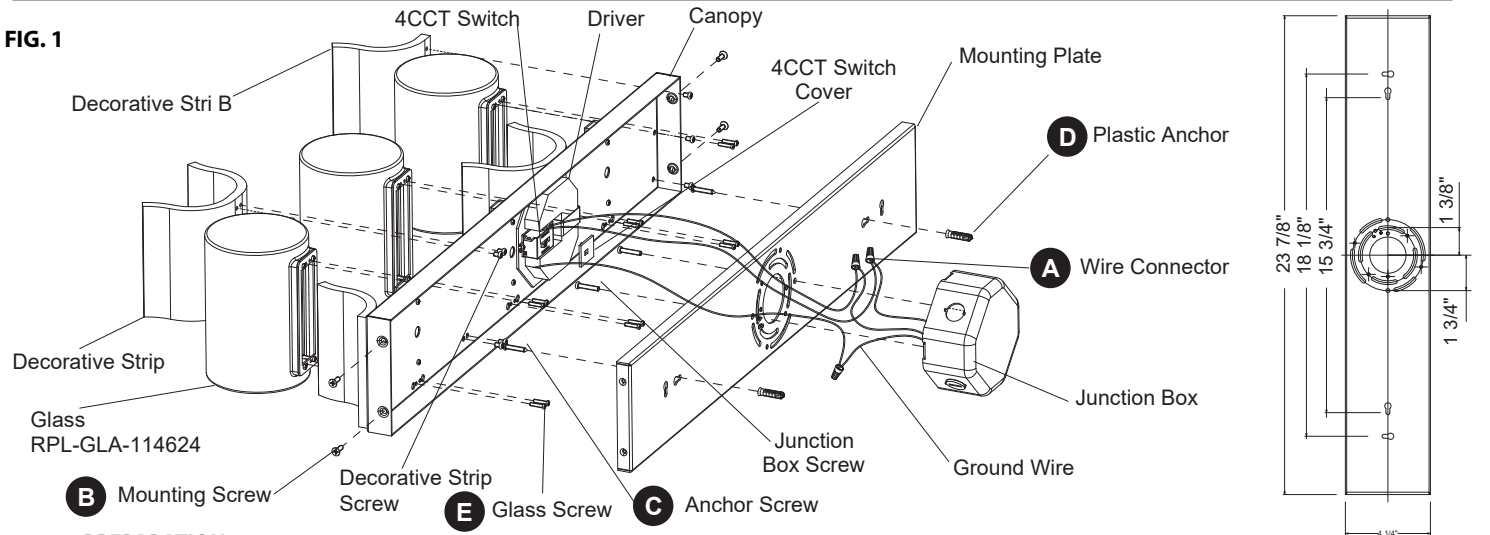
South East Manufacturing Facility  
1600 Distribution Ct  
Lithia Springs, GA 30122

Central Manufacturing Facility  
1700 South J Elmer Freeway, Ste 100  
Cedar Hill, TX 75104

West Manufacturing Facility  
1750 S Archibald Ave  
Ontario, CA 91761

INSTALLATION INSTRUCTIONS  
**1146-LED WALL SCONCE**  
 WS114624

dweLED



**PREPARATION**

1. Shut off the power at the circuit breaker and remove existing fixture, including the crossbar.
2. Carefully unpack your new fixture and lay out all the parts on a clear area. Be careful not to lose any small parts necessary for installation.

**MOUNTING THE FIXTURE (Fig. 1/3)**

3. Remove the mounting screw (B) from the fixture.
4. Firstly, use a screwdriver to remove the decorative strip and decorative strip B. Then, use glass screws(E) to install the glass onto the light fixture, and tighten the screws of the glass and decorative strip.
5. Drill holes in the wall aligned with the key holes located in the wall back plate, insert the plastic anchors (D).
6. The lamp can switch between four color temperatures (2700K-3000K-3500K-4000K), which can be adjusted to your preference with the switch in the fixture(Fig.4).

Note: (i) The switch comes with a detachable cover, remove the cover prior to adjusting the color temperature, fasten the cover after adjustment is made.

(ii) Fixture must be powered off to adjust the CCT setting, after each CCT adjustment cycle power on, off then on to show new CCT setting.

7. First, secure the mounting plate to the junction box using the junction box screws. Second, fasten the ceiling plate to the wall using anchor screws (C)

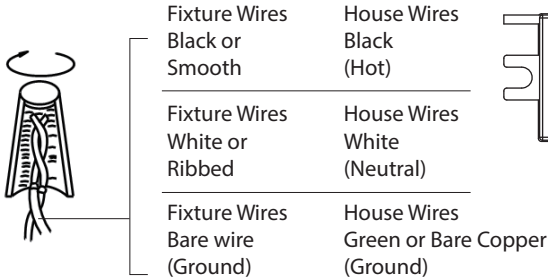
Note: (i) It is recommended to use only original junction box screws or replacements provided by junction box manufacturer.

(ii) The side of the wall plate marked "GND" must face out, towards the installer.

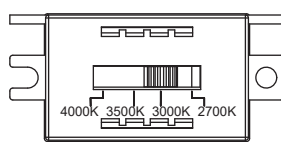
**CONNECTING THE WIRES (Fig. 2/4)**

8. Connect the driver input/output wires with junction box wires as shown in Fig.3, making sure that all wire connectors (A) are secured. If your outlet box has a green or bare copper ground wire, connect the fixture's ground wire to it. Otherwise, connect the fixture's ground wire directly to the mounting plate using the green screw provided. After wires are connected, tuck them carefully inside the junction box.
8. Secure the fixture to the mounting back plate using the mounting screws (B).

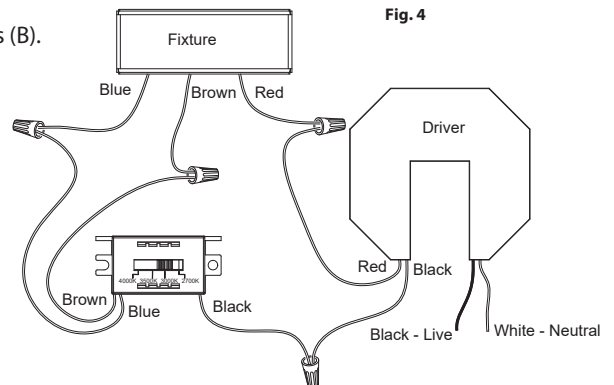
**Fig. 2 Wiring**



**Fig.3**



**Fig. 4**



wacighting.com  
 Phone (800) 526.2588  
 Fax (800) 526.2585

**Headquarters, East Manufacturing Facility**  
 44 Harbor Park Drive  
 Port Washington, NY 11050

**South East Manufacturing Facility**  
 1600 Distribution Ct  
 Lithia Springs, GA 30122

**Central Manufacturing Facility**  
 1700 South J Elmer Freeway, Ste 100  
 Cedar Hill, TX 75104

**West Manufacturing Facility**  
 1750 S Archibald Ave  
 Ontario, CA 91761