

# INSTALLATION INSTRUCTIONS

## Outdoor Wall Sconce

WSW119610/WSW119618/WSW119626

# dweLED

**CAUTION: To prevent electrical shock, ensure electricity has been turned off at the circuit breaker before beginning.**

- Read all instructions before installing.
- System is intended for installation by a licensed electrician in accordance with the National Electrical Code (NEC) and local regulations.
- When handling the fixture, do not apply pressure to the LEDs. Hold the fixture by the base only.
- Retain installation instructions for future maintenance reference.

**WARNING:** All parts must be used as indicated in these instructions. This product is designed for use only with the supplied parts and/or accessories designated for use by dweLED. Substitution of parts or accessories not designated for use with this product by dweLED could result in personal injury or property damage, and will void the warranty. Contact an authorized dealer or the manufacturer if any parts are damaged or missing.

**MAINTENANCE NOTE:** Coastal conditions may cause mineral and residue build-up on the fixture. We recommend that customers in coastal areas clean all external surfaces of the fixture once every two weeks with a wet cloth.

**MISE EN GARDE:** Pour éviter tout choc électrique, assurez-vous que le disjoncteur soit mis hors tension avant de commencer.

- Lisez toutes les instructions avant l'installation.
- Le système doit être installé par un électricien licencié conformément au code national de l'électricité (NEC), et également aux règlements locaux.
- Lors de la manipulation du luminaire, n'appuyez pas sur les LED. Tenez-le uniquement par la base.

**ATTENTION:** Toutes les pièces doivent être utilisées comme indiqué dans ces instructions. Ce produit est conçu pour être utilisé seulement avec les pièces et/ou accessoires fournis pour être utilisés avec les produits dweLED. Remplacer des pièces ou accessoires non conçus pour ce produit dweLED pourrait causer des dommages corporels ou matériels et pourrait également causer l'annulation de la garantie. Veuillez contacter un revendeur autorisé ou le fabricant si des pièces manquent ou sont endommagées.

**NOTE D'ENTRETIEN:** Les conditions côtières peut causer une accumulation de minéraux et de résidus sur le luminaire. Nous recommandons aux clients qui résident dans les zones côtières de nettoyer toutes les surfaces externes du luminaire une fois toutes les deux semaines avec un chiffon humide.

## HARDWARE

A



Wire Connector  
Qty: 3pcs+1 Extra

B



Mounting Screw  
Qty: 1 Extra

C



Rubber Gasket  
Qty: 1 Extra

E



Wood Screw  
Qty: 2pcs+1 Extra

F



Plastic Anchor  
Qty: 2pcs+1 Extra

wacighting.com

Phone (800) 526.2588  
Fax (800) 526.2585

**Headquarters, East Manufacturing Facility**  
44 Harbor Park Drive  
Port Washington, NY 11050

**South East Manufacturing Facility**  
1600 Distribution Ct  
Lithia Springs, GA 30122

**Central Manufacturing Facility**  
1700 South J Elmer Freeway, Ste 100  
Cedar Hill, TX 75104

**West Manufacturing Facility**  
1750 S Archibald Ave  
Ontario, CA 91761

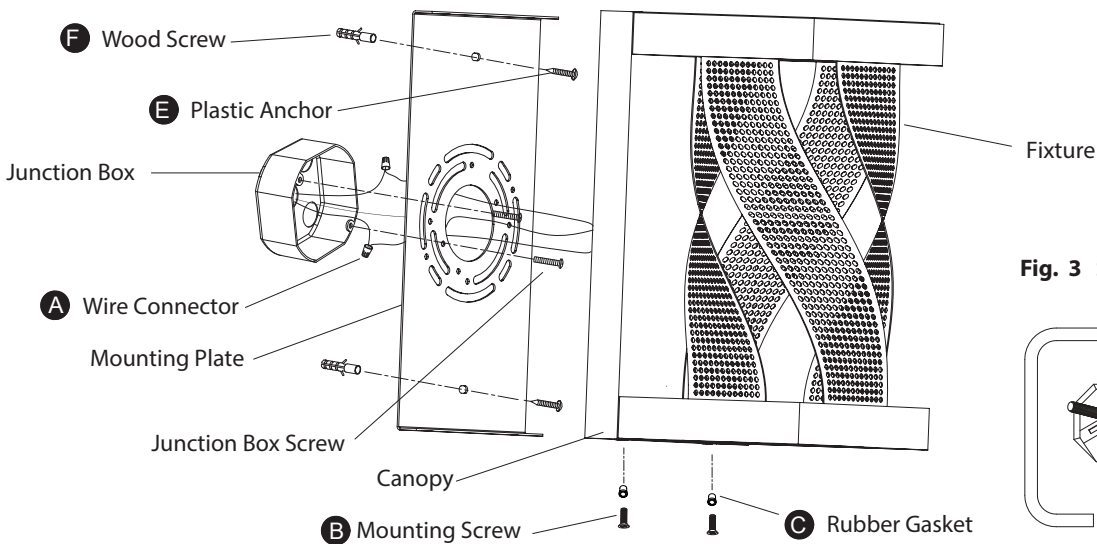
# INSTALLATION INSTRUCTIONS

## Outdoor Wall Sconce

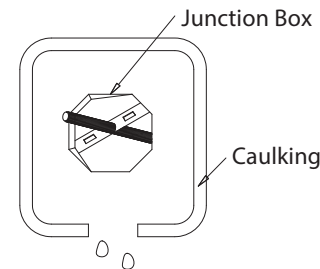
WSW119610/WSW119618/WSW119626

# dweLED

**FIG.1**



**Fig. 3 Sealing**



### PREPARATION

1. Shut off the power at the circuit breaker and remove existing fixture, including the crossbar.
2. Carefully unpack your new fixture and lay out all the parts on a clear area. Be careful not to lose any small parts necessary for installation.

### MOUNTING THE FIXTURE (Fig. 1)

3. Remove the mounting screw (B) from the fixture, take down the mounting plate.
4. Drill holes in the wall aligned with the key holes located on the mounting plate, insert the plastic anchor (D).
5. Secure the mounting plate to the junction box using standard junction box screws that come with the junction box.

Note: (i) using any other non-original-manufacturer provided junction box screw may result in safety issue;  
 (ii) The side of the mounting back plate marked "GND" must face out.

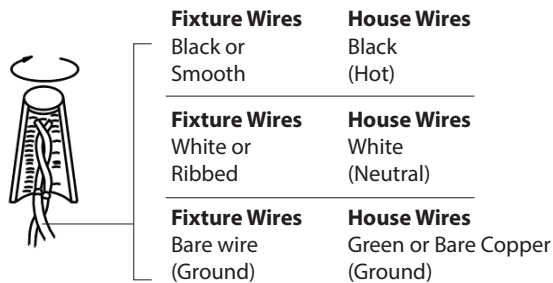
### CONNECTING THE WIRES (Fig. 2)

6. Connect the driver's input wires to junction box wires as shown in Fig. 2, making sure that all wire connectors (A) are secured. If your outlet box has a green or bare copper ground wire, connect the fixture's ground wire to it. Otherwise, connect the fixture's ground wire directly to the mounting plate using the GND screw provided. After wires are connected, tuck them carefully inside the junction box.

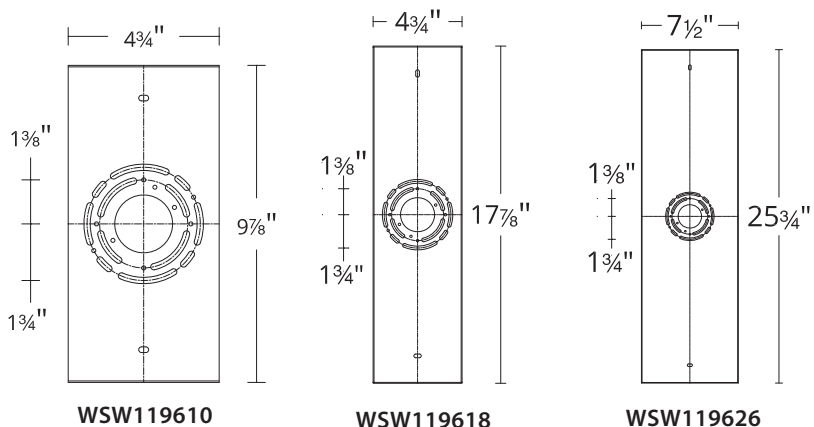
### COMPLETING THE INSTALLATION (Fig. 1/Fig. 3)

7. Secure the fixture to the mounting plate using the mounting screw (B) and rubber gasket (C).
8. To prevent moisture from entering the outlet box and causing a short, use clear caulking (i.e. indoor/outdoor silicone sealant) to outline the outside of fixture back plate where it meets the wall. Leave a space at the bottom to allow moisture to escape (Fig. 3).

**Fig. 2 Wiring**



### Mounting Plate Dimensions



wacighting.com  
 Phone (800) 526.2588  
 Fax (800) 526.2585

Headquarters, East Manufacturing Facility  
 44 Harbor Park Drive  
 Port Washington, NY 11050

South East Manufacturing Facility  
 1600 Distribution Ct  
 Lithia Springs, GA 30122

Central Manufacturing Facility  
 1700 South J Elmer Freeway, Ste 100  
 Cedar Hill, TX 75104

West Manufacturing Facility  
 1750 S Archibald Ave  
 Ontario, CA 91761