

SETUP

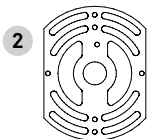
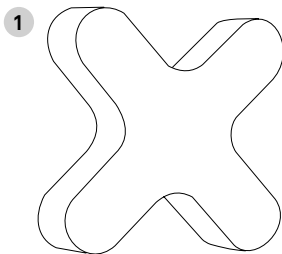


lzf

X-CLUB

X A LED UL

CONTENTS



| | | |
|---|-----------------|-------|
| 1 | Shade | 1 un. |
| 2 | Back plate | 1 un. |
| 2 | Screws | 2 un. |
| 3 | Allen key No. 3 | 1 un. |

TECHNICAL SPECIFICATIONS

Integrated LED LED Integrado

120 - 277V



Linear Module 4 x 5,5 W - 350mA
120-277V 60Hz ~
32 W

WEIGHT

| | |
|--------------|---------|
| Net Weight | 10,6 Lb |
| Gross Weight | 19,2 Lb |

WARNINGS

Before assembly and installing this product, carefully read the following:

Turn off the mains before installing the lamp. Dry location only. This lamp is for indoor use only.

WOOD VENEER: Due to the natural nature of the material sometimes one may note slight undulations in the wood veneer. This is a natural reaction to humidity or different climatic conditions and should go away with use. Since wood is a natural material, a gradual change in tone may occur over time. Furthermore, if the lamps have been purchased at different times, there will be differences in colour and tone, particularly in light coloured veneers. Luziferlamps S.L. will not be held responsible for this.

INSTALLATION TIP: Make sure that the seam on your lamp shade is facing away from the main view of the fixture.

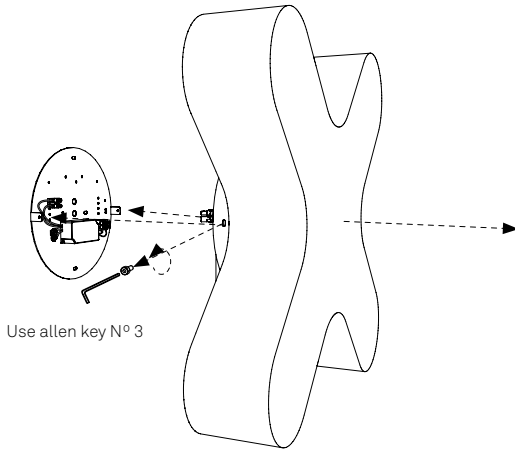
PROTECTIVE FILMS: Don't forget to remove all protective films from the acrylic surfaces of your lamp.

MORE INFO: <http://www.lzf-lamps.com/guarantee/>



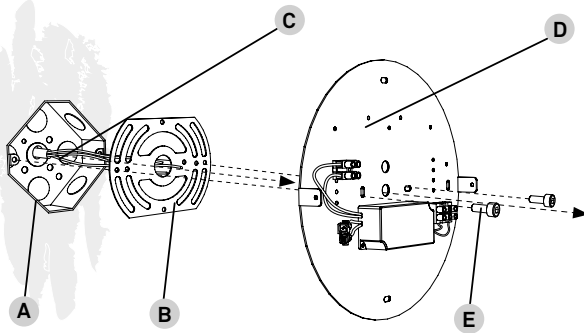
ASSEMBLY INSTRUCTIONS

1



Use the Allen key.
Remove these screws to separate the shade from the wall light backing plate.

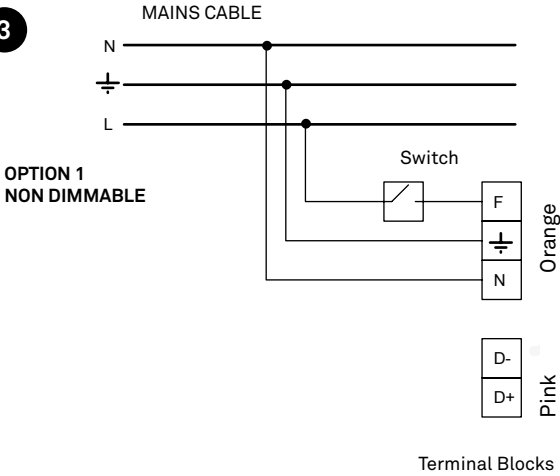
2



Feed the electrical wires (C) in through the back plate (B) and wall light backing plate (D).
Fix it to the junction box (A) with the screws (E) and connect the electrical wires to the main.

ASSEMBLY INSTRUCTIONS

3



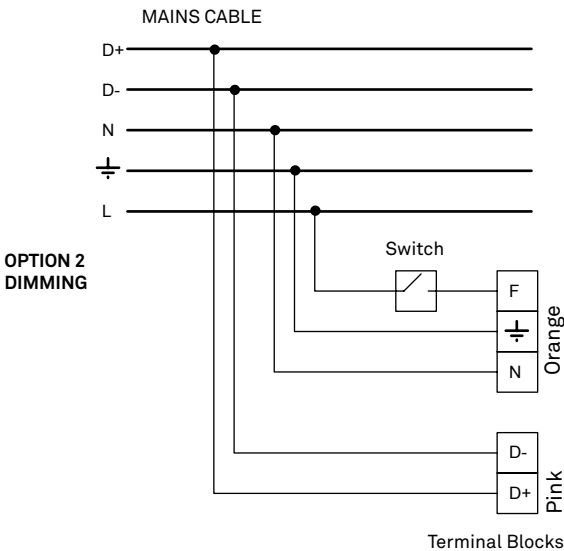
MAINS CONNECTION OPTIONS

Turn off the mains before installing the lamp. Connect the lamp to the mains as follows.

OPTION 1: NON DIMMABLE

You should have a three wire cable coming from the mains. Connect poles **N** and **GND** (⚡) as shown in the terminal block Orange. Connect the line (**L**) that goes through the switch installation to the pole **F** (terminal block Orange).

Poles D- and D+ are not used.



OPTION 2: DIMMING

You should have a five wire cable coming from the mains.

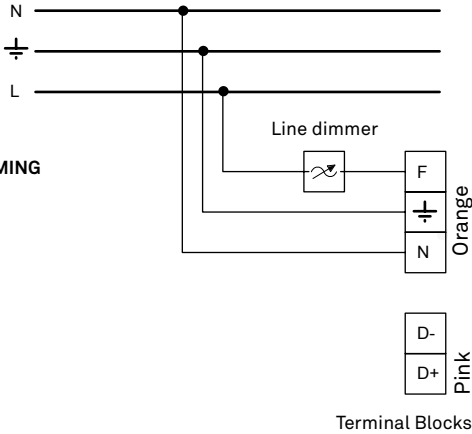
Connect poles **N** and **GND** (⚡) as shown in the terminal block Orange. Connect the line (**L**) that goes through the switch installation to the pole **F** (terminal block Orange).

After connecting the mains wires to the terminal block take the other two wires (the +/- dimming controls) and connect them to the dimming terminal block (terminal block Pink).

ASSEMBLY INSTRUCTIONS

MAINS CABLE

OPTION 3 LINE DIMMING



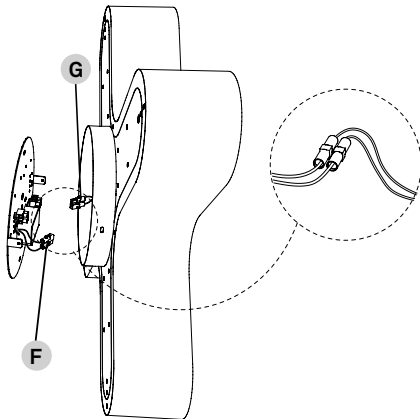
OPTION 3: LINE DIMMING

You should have a three wire cable coming from the mains.

Connect poles **N** and **GND** (\perp) as shown in the terminal block Orange. Connect the line (L) that goes through the line dimmer installation to the pole **F** (terminal block Orange).

Poles D- and D+ are not used.

4

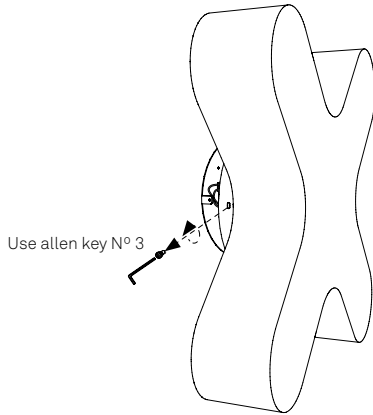


Take the connector from the Driver (F) and connect it to the shade connector (G).

ASSEMBLY INSTRUCTIONS

5

Return the shade to its position. Put the holding screws back into place.



6

Turn on the mains again.

GENERAL CARE INSTRUCTIONS

Use and care of your lamp.

You have just purchased an original handmade product by LZf. Your lamp is made out of FSC® certified natural wood veneer treated with our patented finish, Timberlite®.

This treatment both protects and safeguards the wood veneer against breakages.

Depending on the type of lamp use a feather duster, soft cleaning cloth or damp cloth for cleaning. On our more delicate shades, like those made from wood strips, a feather duster or an air blower is preferable. In our more solid shades a damp cloth may be used.

Clean only the flat surface of the veneer with the cloth, and please avoid any moisture contact along the edge of the veneer.

Acrylic Diffusers

The acrylic diffusers on your lamp can be cleaned with a regular window cleaning spray and a soft cloth. Do not use solvents of any kind.

Integrated LED

All LEDs are included in your lamp. Never touch the LED surface with your bare hands as this may reduce the life of your LED.

Precautions

Luminaire for indoor use only.

Avoid direct sunlight, strong indirect sunlight and moisture on your lamp. Unplug the lamp before cleaning or changing the light bulb. Servicing or manipulation of the electrical installation should only be performed by qualified electrical personnel or by the LZf service department.

REV.05-2018

D88_331



© Luzifertamps, S.L

All rights reserved.

Valencia, Spain. 2018

www.import-ent.com

support@import-ent.com