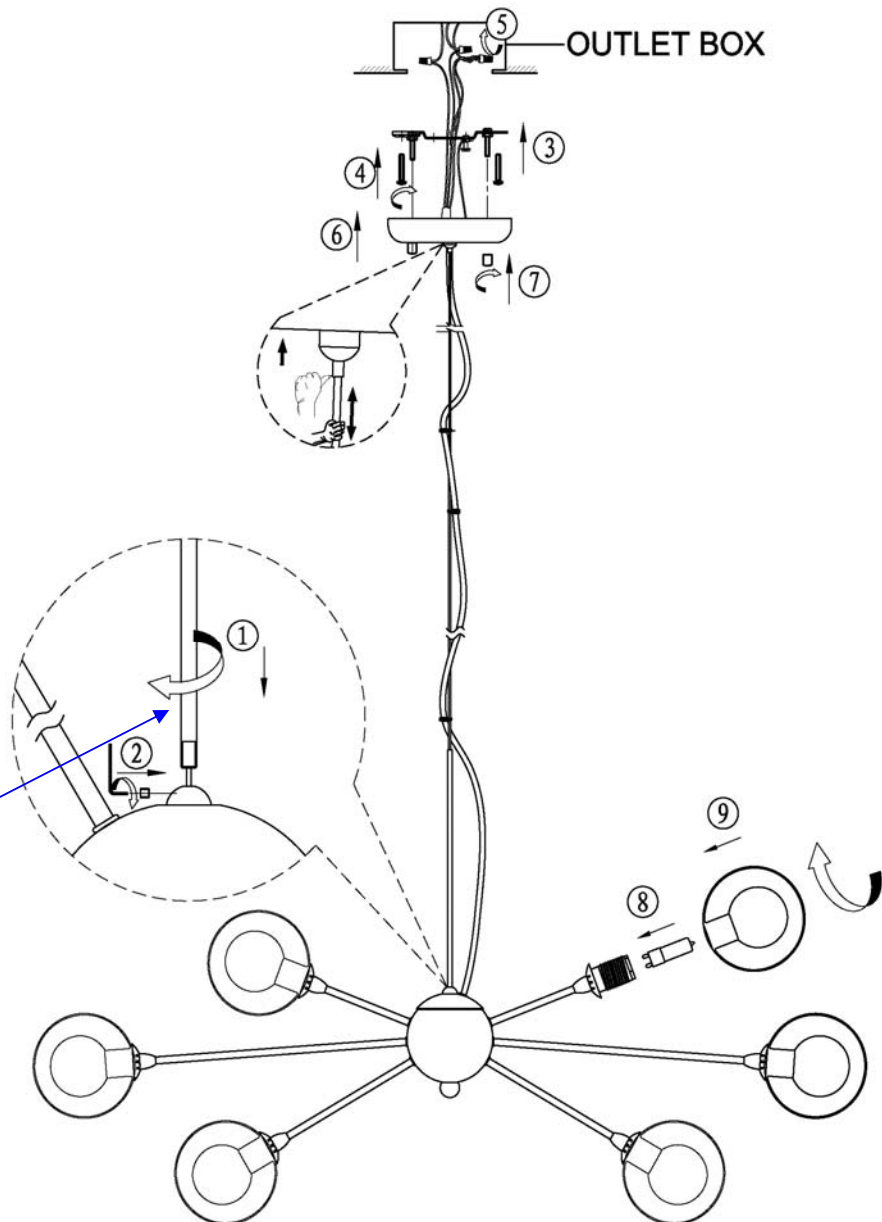


INSTALLATION INSTRUCTION

Item No.: HGHO129



Add warning here:

"When the tube can not be twisted in place, please use hexagonal spanner to loose the set screw before installation."

FEATURE

- 120V ~ 60Hz
 - Lamp Type: "Xenon"G9 15×MAX 25W
- The lamp is for indoor use only