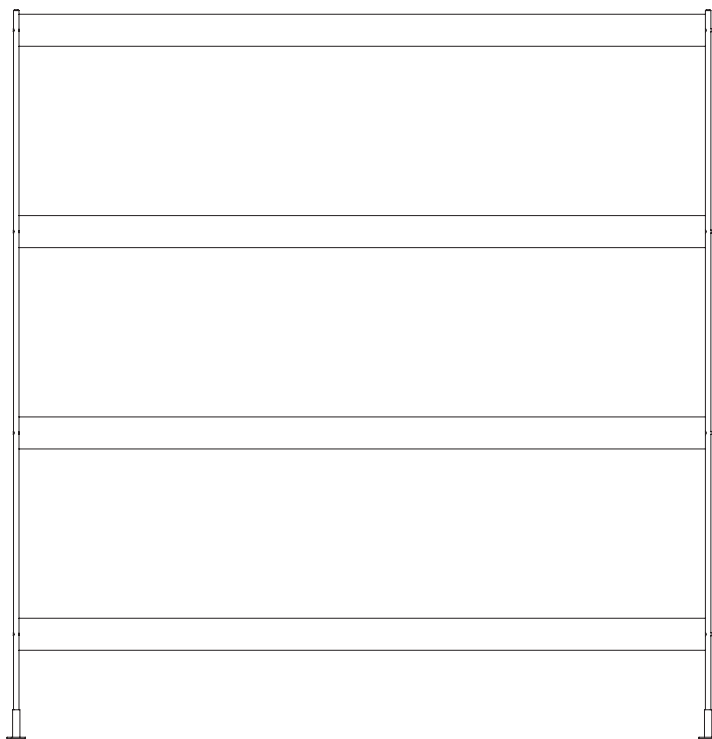


Zet Storage System

by Kaschkasch



MENU

Congratulations on your storage system designed by kaschkasch.

We hope you will enjoy using this item and follow these instructions to ensure correct assembly. These instructions are provided for your safety.

It is important that the instructions are read carefully and completely before assembling.

ZET H158 COMPONENT OVERVIEW



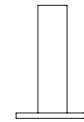
1 x Right Leg Frame



1 x Left Leg Frame



4 x Shelf



4 x Foot



16 x Screws

IMPORTANT INFORMATION

CAUTION

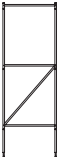
Please ensure that all assembly is done on a soft and flat surface, to ensure that the components will not be damaged/scratched.

During assembly of the base, loosely tighten screws. When all screws are in place, you may then tighten the screws completely.

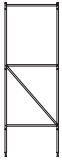
CARE AND MAINTENANCE

Please see care instructions on www.menuspace.com

ZET H114 COMPONENT OVERVIEW



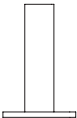
1 x Right Leg Frame



1 x Left Leg Frame



3 x Shelf



4 x Foot



12 x Screws

ZET H70 COMPONENT OVERVIEW



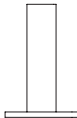
1 x Right Leg Frame



1 x Left Leg Frame



2 x Shelf

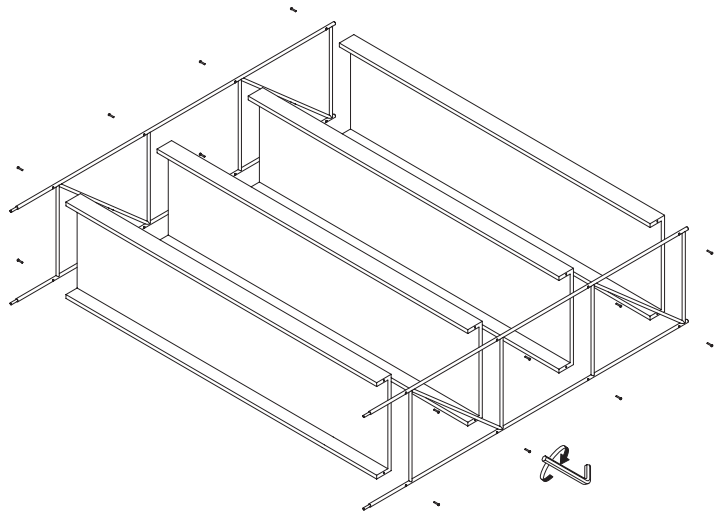


4 x Foot



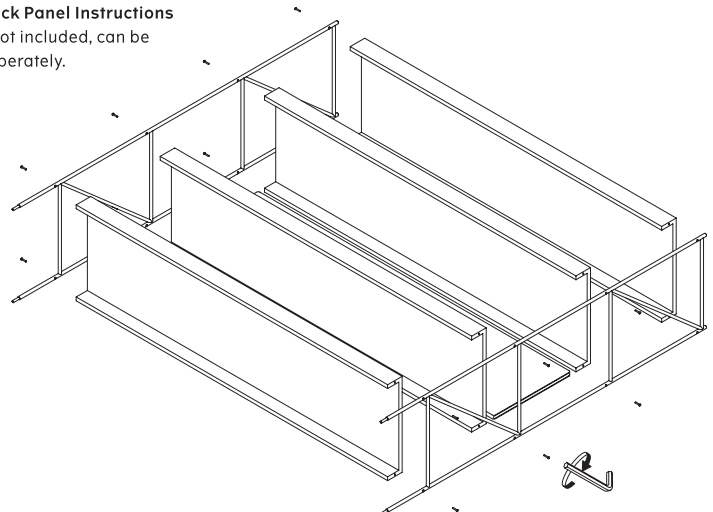
8 x Screws

1



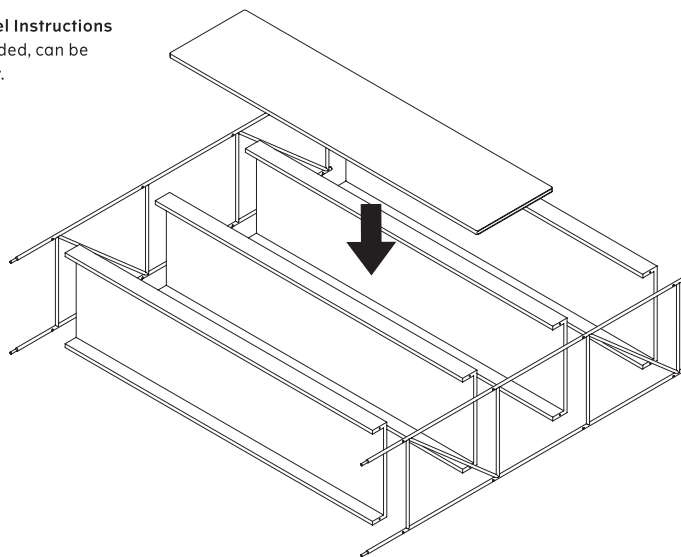
1b

Additional Back Panel Instructions
 Back panels not included, can be purchased separately.

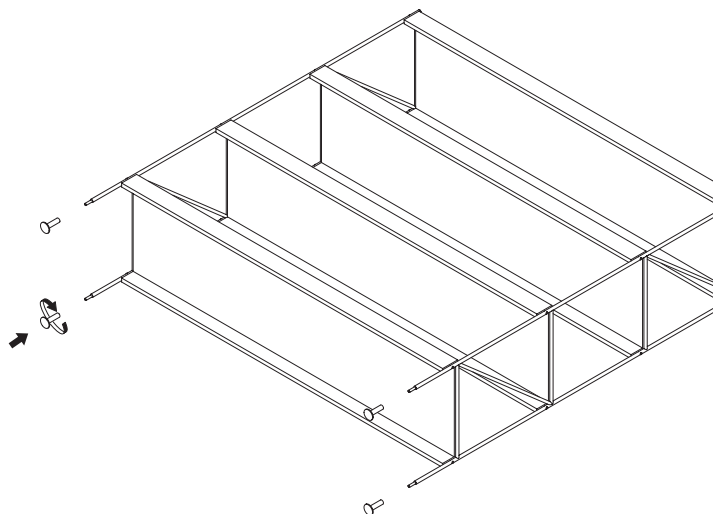


1a

Additional Back Panel Instructions
 Back panels not included, can be purchased separately.



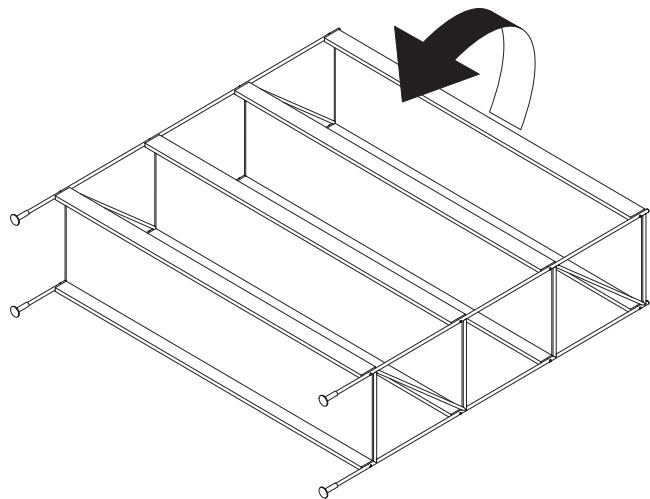
2



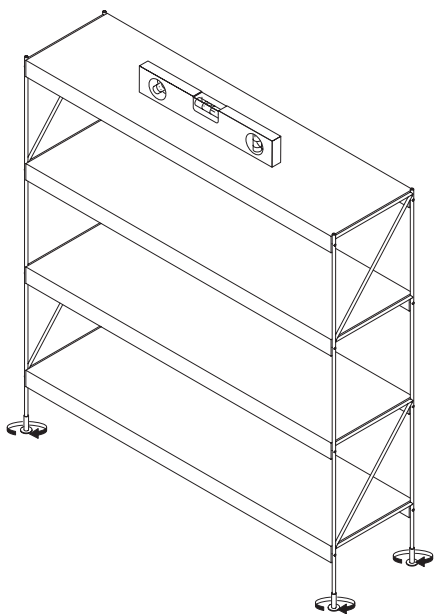
NOTE
 During assembly of the base, loosely tighten screws.
 When all screws are in place, you may then tighten the screws completely.

NOTE
 During assembly of the base, loosely tighten screws.
 When all screws are in place, you may then tighten the screws completely.

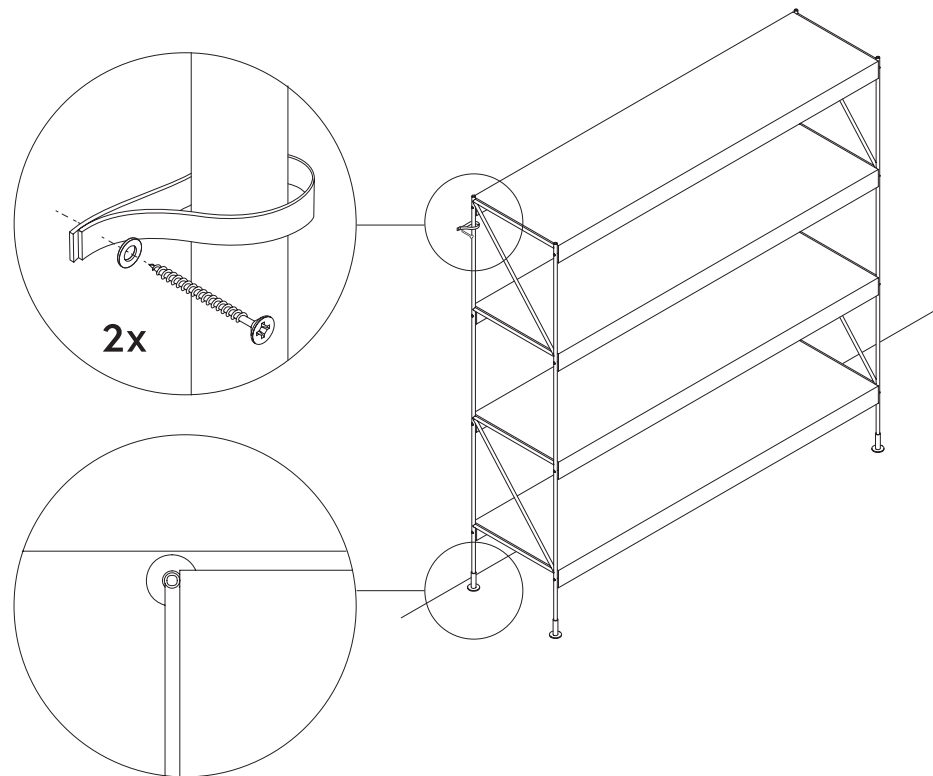
3



4

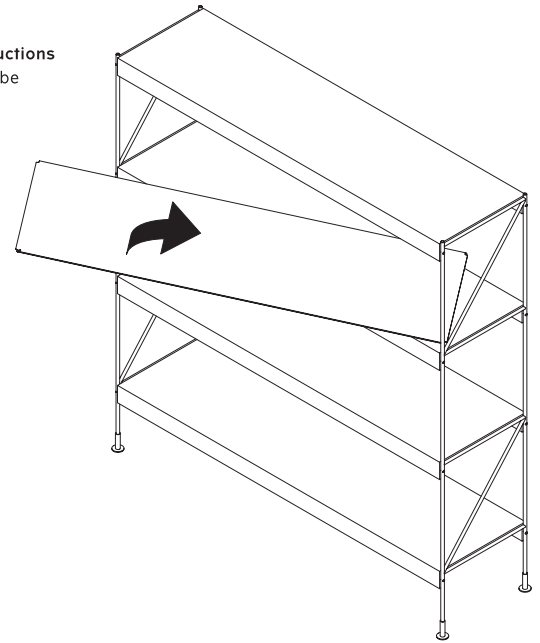


5



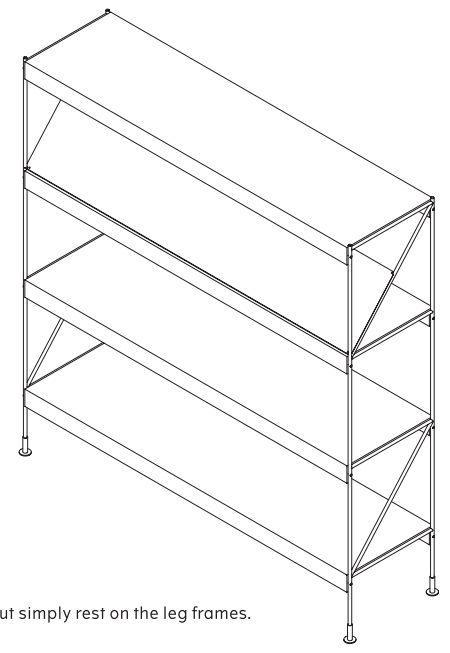
6a

Additional Magazine Shelf Instructions
Magazine shelf not included, can be purchased seperately.



6b

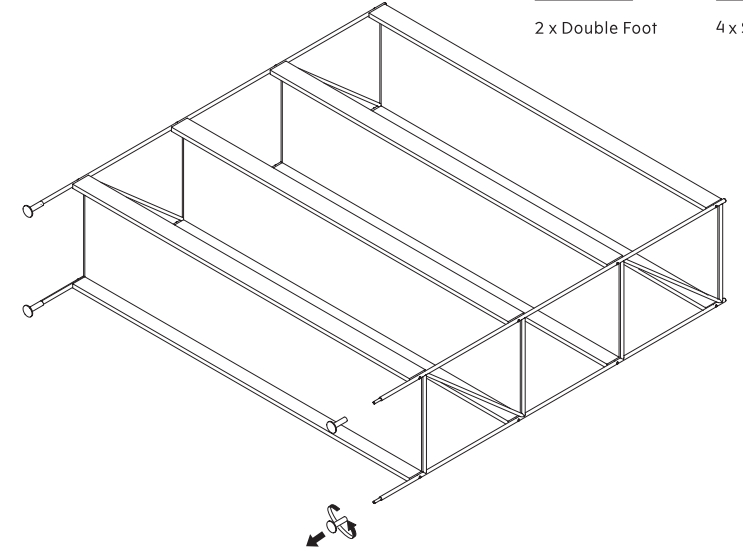
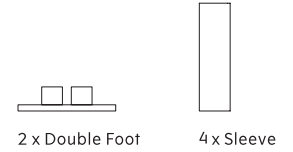
Additional Magazine Shelf Instructions
Magazine shelf not included, can be purchased seperately.



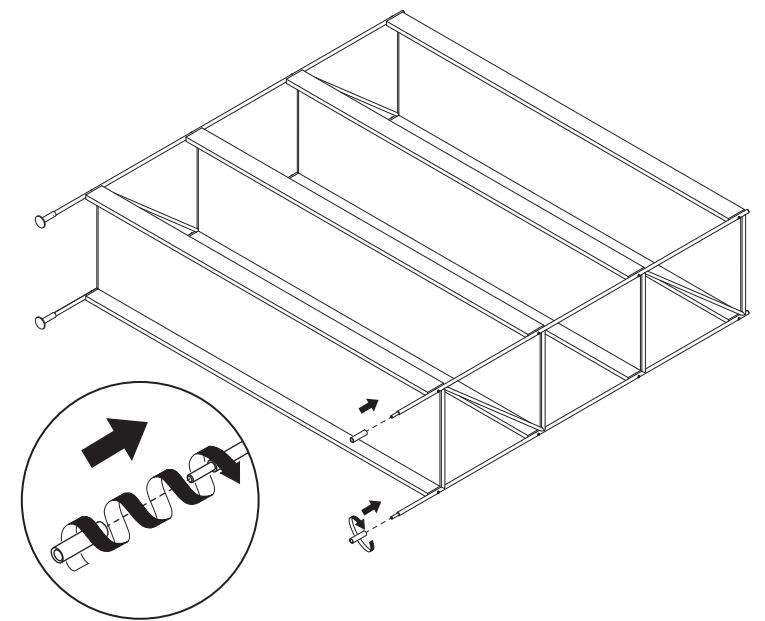
NOTE
Magazine shelf is not mounted with screws but simply rest on the leg frames.

7

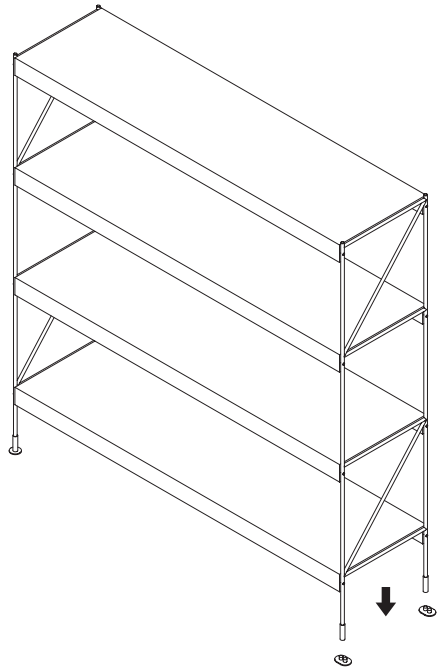
Additional Double Foot And Sleeve Instructions
Double foot and sleeve are not included, can be purchased seperately.



8



9



10

