

⚠ WARNINGS AND CAUTIONS

Important: ALWAYS be sure to disconnect power before re-lamping or wiring the fixture. Read these instructions completely before starting installation.

To avoid the risk of fire and/or shock fixture must be installed in compliance to national and local electrical and building codes.

If an existing fixture is being replaced take special notice of which wires were connected in the outlet box.
DO NOT SEPARATE ANY WIRES THAT MAY BE EXISTING IN THE JUNCTION BOX
DO NOT DAMAGE THE INSULATION OF JUNCTION BOX WIRES.

In Regular circumstances the BLACK wire will be "live", WHITE will be "neutral" and GREEN or BARE COPPER will be "ground". In older buildings it is always good practice to reconfirm the polarity of the wiring.

NOTICE

- The important safeguards and instructions outlined in this sheet cannot cover all possible conditions and situations that may occur. It must be understood that caution and certain care factors must be followed. These instructions are provided for your safety and we highly recommend that a licensed, trained electrician install this unit.
- This fixture is designed to be mounted on a correctly installed standard round or octagon box OR through a wiring box with a plaster frame. The box must be securely mounted to the structure of the building. The crossbar and hardware supplied should be used, directly mounting the fixture to the outlet box may make it impossible to correctly align the fixture.

ASSEMBLY INSTRUCTIONS

Step 1

Determine the desired length the pendant will hang by selecting from the assorted rod sizes supplied (2c). Feed the wire (starting from bottom) through each rod until you reach the last rod then secure rods to fixture body (3a). Remove the mounting crossbar (1c) from within the canopy (2a) by loosening mounting collar nut (2b). Slide mounting collar nut (2b) followed by canopy (2a) through wire and rods. Feed fixture wire through canopy pivot (1e) and mounting crossbar (1c) and thread canopy pivot (1e) to fixture assembly.

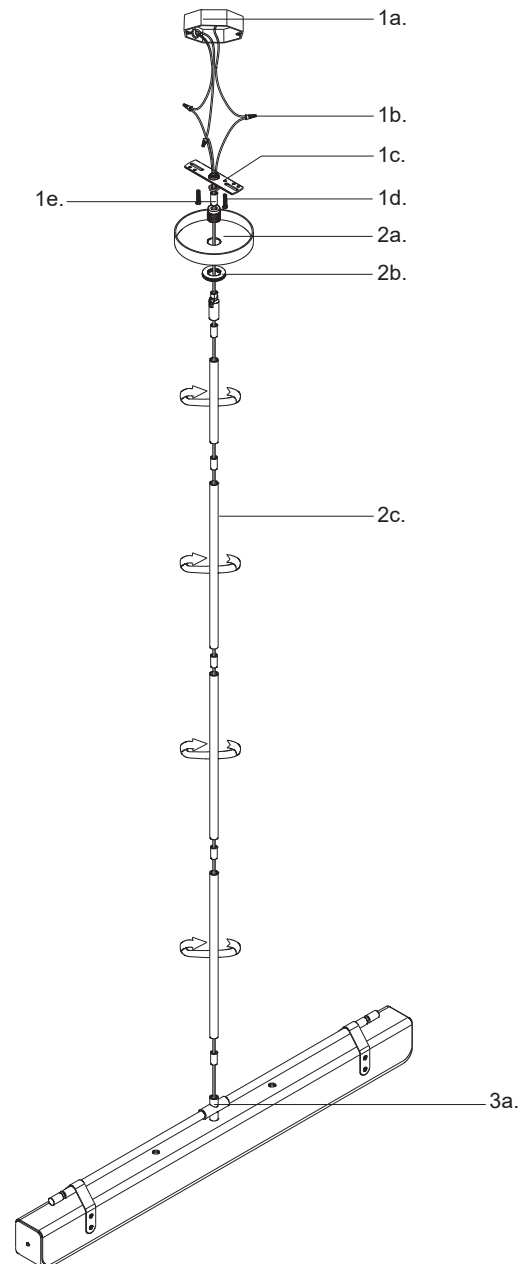
Step 2

Attach mounting crossbar (1c) to junction box (1a), using two junction box screws (1d) (not provided). Cut down the extra wire and connect fixture wires to junction box wires using the marrettes provided (1b). (white to white "N", black to black "L", green to green "G"). Slide canopy (2a) and mounting collar nut (2b) towards ceiling and thread on the mounting collar nut (2b). This will secure the canopy to mounting crossbar.

Step 3

Install recommended lamps (referred on the socket label for maximum wattage and type) to fixture socket and restore power. *If fixture has integrated LED (Light Emitting Diodes) lamp installation is not required*

You are now ready to enjoy your fixture.



⚠ WARNINGS AND CAUTIONS

Important: ALWAYS be sure to disconnect power before re-lamping or wiring the fixture. Read these instructions completely before starting installation.

To avoid the risk of fire and/or shock fixture must be installed in compliance to national and local electrical and building codes.

If an existing fixture is being replaced take special notice of which wires were connected in the outlet box.
DO NOT SEPARATE ANY WIRES THAT MAY BE EXISTING IN THE JUNCTION BOX
DO NOT DAMAGE THE INSULATION OF JUNCTION BOX WIRES.

In Regular circumstances the BLACK wire will be "live", WHITE will be "neutral" and GREEN or BARE COPPER will be "ground". In older buildings it is always good practice to reconfirm the polarity of the wiring.

NOTICE

- The important safeguards and instructions outlined in this sheet cannot cover all possible conditions and situations that may occur. It must be understood that caution and certain care factors must be followed. These instructions are provided for your safety and we highly recommend that a licensed, trained electrician install this unit.
- This fixture is designed to be mounted on a correctly installed standard round or octagon box OR through a wiring box with a plaster frame. The box must be securely mounted to the structure of the building. The crossbar and hardware supplied should be used, directly mounting the fixture to the outlet box may make it impossible to correctly align the fixture.

ASSEMBLY INSTRUCTIONS

Step 1

Remove the mounting plate (1c) from within the canopy (2a) by loosening the four canopy screws (2b). Determine the desired length the fixture will hang by selecting from the assorted rod sizes supplied (2f). Slide selected rods through the fixture wires and thread the rod assembly to fixture body (3a). Install the fixture loop (2e) the top end of the rod assembly followed by attaching the quick link (2d). Secure the fixture assembly to the canopy by first weaving the fixture wires through the fixture loop, quick link, canopy loop and canopy followed by attaching the quick link (2d) to the canopy loop (2c).

Step 2

Attach the mounting plate (1c) to junction box (1a), using two junction box screws (1d) (not provided). For additional support secure the mounting plate (1c) to the mounting surface using anchors and anchor screws (1e). Cut down the extra wire and connect fixture wires to junction box wires using the marrettes provided (1b). (white to white "N", black to black "L", green to green "G"). Place the canopy over the mounting plate and secure it in place with the canopy screws (2b).

Step 3

Install recommended lamps (referred on the socket label for maximum wattage and type) to fixture socket and restore power. *If fixture has integrated LED (Light Emitting Diodes) lamp installation is not required*

You are now ready to enjoy your fixture.

